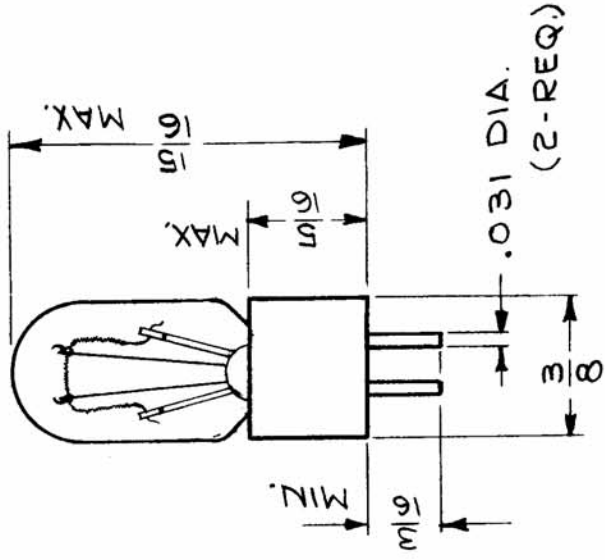


REQ. PER UNIT	USED ON	MODEL	DATE
4	TRT-1,2,3A	1-31-64	BI-113

~SPECIFICATIONS~
 BULB ~ T 3/4
 BASE ~ SPECIAL, EPOXY WITH PINS
 VOLTAGE ~ 28 VOLTS. (AC OR DC)
 CURRENT ~ .17 AMPS
 LIFE ~ 500 HOURS



REQ. ITEM	PART NO.	DESCRIPTION	SYMBOL
		THE TECHNICAL MATERIEL CORP. MAMARONECK. NEW YORK	
	STOCK SIZE	LAMP, INCANDESCENT	
	MATERIAL	MINIATURE	
TYPE & TEMPER	HEAT TREAT. SPEC.	DRAWN	CHECKED
		G. S. [Signature]	RAL
FINISH & SPEC. NO.		ELEC. DES. APP.	MECH. DES. APP.
		W.A. [Signature]	BI-113

ORIGINAL RELEASE FOR PRODUCTION
 DATE 6/22/64
 CH. NO. 0
 DRAFTS A.M.
 CHECKER
 ENG. APP.
 SCALE 2:1
 CODE 5401-267 (CM7313)
 C
 TOLERANCES
 FRACTIONS
 DIMENSIONS ARE IN INCHES AND INCLUDE CHEMICALLY APPLIED OR PLATED FINISHES
 UNLESS OTHERWISE SPECIFIED
 DECIMALS
 .XX ± .01
 .XXX ± .005
 ANGLES
 ± 1/64
 ± 0° 30'