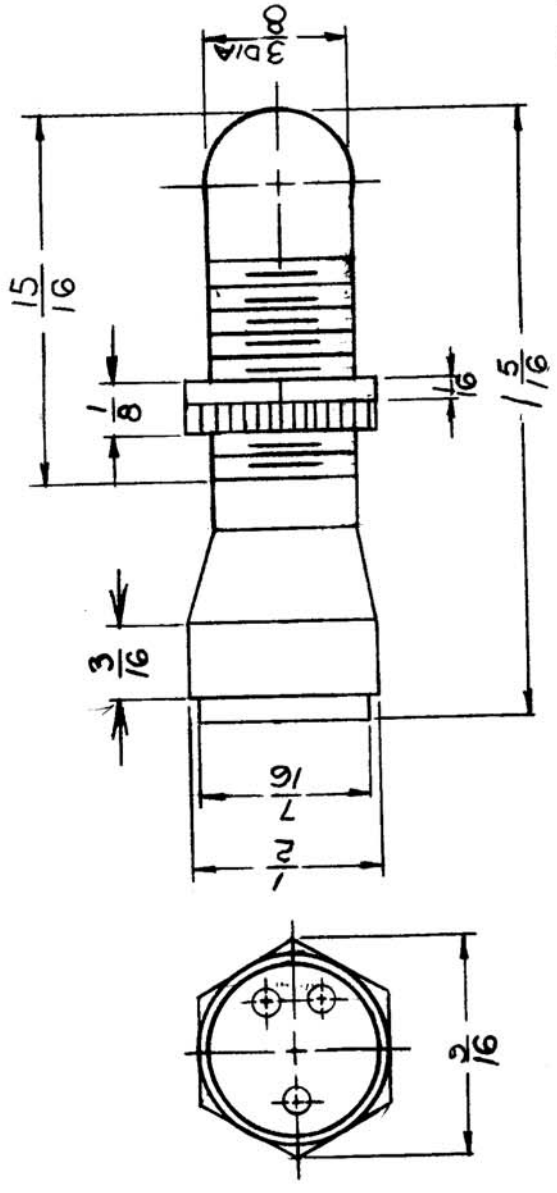


**STANDARD DRAWING**  
BI10001 A

IF IT IS FOUND DESIRABLE TO CHANGE ANY TOLERANCE OR OTHER DETAIL SPECIFIED ON THIS DRAWING NOTIFY THE PURCHASER PROMPTLY.  
MAXIMUM ALLOWABLE TOLERANCES HAVE BEEN DETERMINED AND DEVIATIONS WILL BE CAUSE FOR REJECTION. REMOVE ALL BURRS AND SHARP EDGES

USED ON  
MODEL PROJECT NO. ASS'Y. NO. DATE  
SCU-2 A10222 A10222 JUNE 15 1959



NOTE: INCORPORATES NON-REPLACEABLE NEON GLOW LAMP.

REQ. ITEM	PART NO.	DESCRIPTION	SYMBOL
		TMC (Canada) LIMITED OTTAWA LIGHT, INDICATOR	
STOCK SIZE		NEON (DISPOSABLE) 125V	
MATERIAL	WEIGHT PER PC.	JPC	
TYPE & TEMPER.		DRAWN	ELEC. DES. APP. <i>JPC</i>
HEAT TREAT. SPEC.		CHECKED	FINAL APPROVAL
FINISH & SPEC. NO.		BI10001 A	
ISSUE ITEM	CHANGED FROM	DATE	CN. NO. DRAFTS CHECKER ENG. APP.
A 1	NOTE ADDED	JAN. 20/60	JPC
A 2	TITLE CHANGED		
TOLERANCES			
DEC. DIM. ± ALL FRAC. DIM. ± OTHERS ANGULAR DIM. ±			
SCALE 2:1 DRILL, PUNCH, COMMERCIAL STOCK SIZES AND MANUFACTURERS TOLERANCES ARE NOT INCLUDED.			