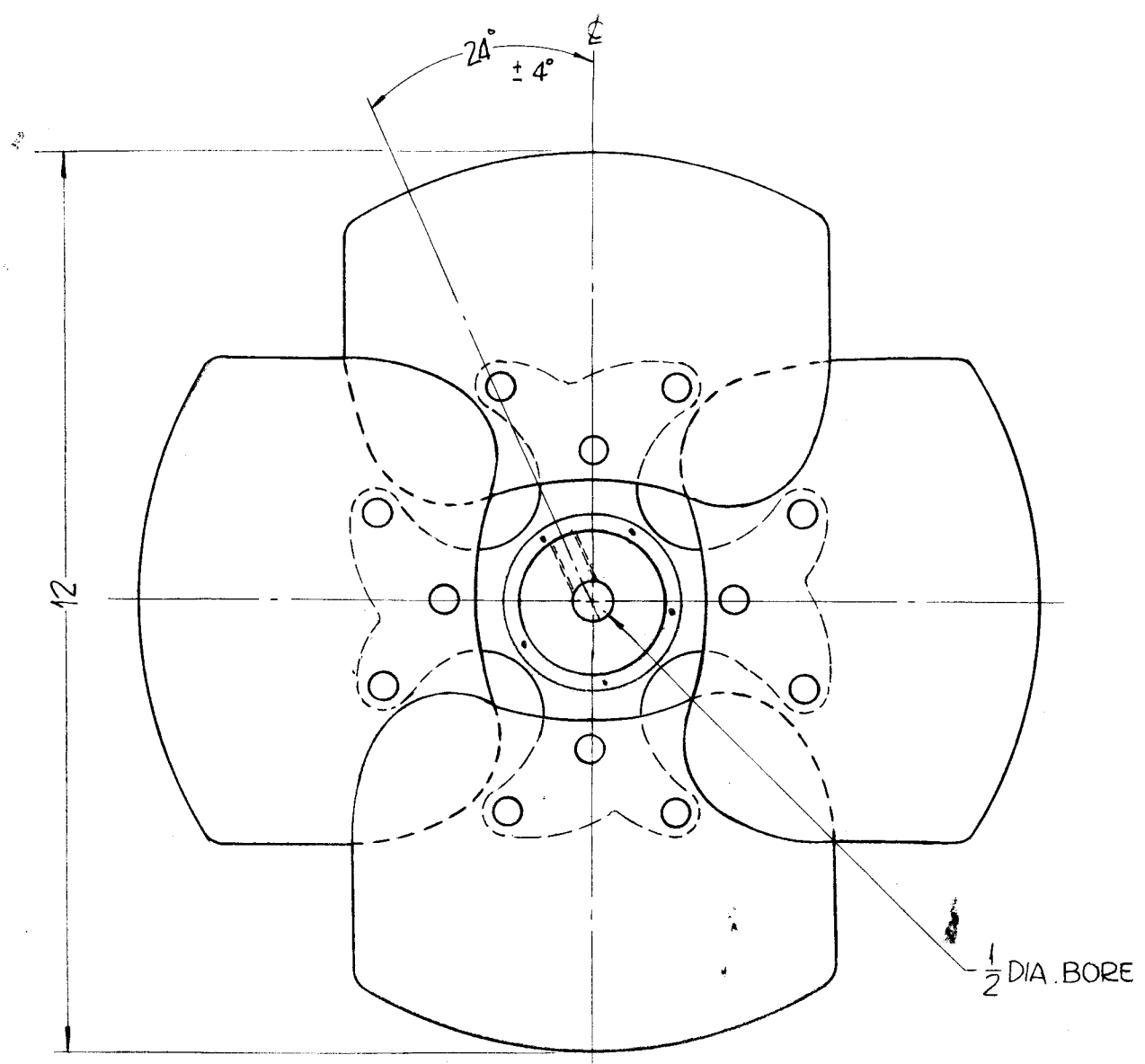
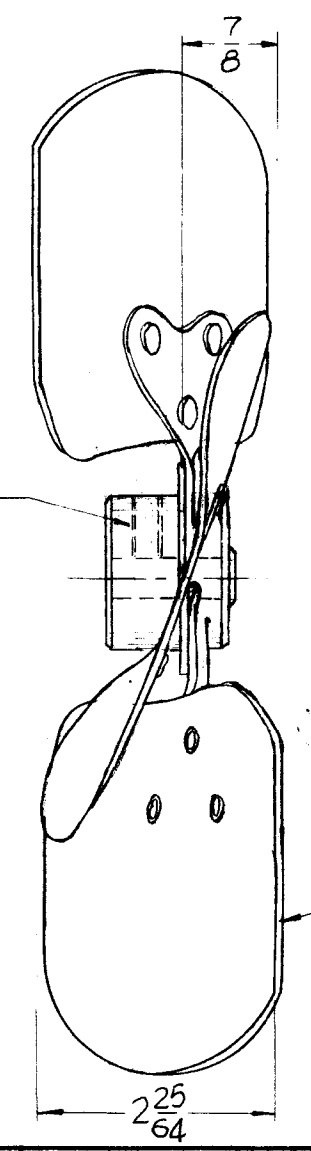


BF-106



REVISIONS					
SYM	DESCRIPTION	DATE	E.M.N. NO.	DRAFT	CHKD APPD
0	ORIGINAL RELEASE FOR PRODUCTION	5-27-64	0	A.M.	

(1) 1/4-28 UNF-3B
THREADS.



68-96-1

RE: TMC DWG BL-116

REQ'D.	ITEM	PART NUMBER	DESCRIPTION	SYMBOL
F. BUDETTI				
LIST OF MATERIAL				
MATERIAL			THE TECHNICAL MATERIEL CORP. MAMARONECK, NEW YORK	
FINISH			TITLE BLADE, TUBEAXIAL FAN	
UNLESS OTHERWISE SPECIFIED DIMENSIONS ARE IN INCHES AND INCLUDE CHEMICALLY APPLIED OR PLATED FINISHES			DRAWN <i>SEG</i> CHECKED <i>AA</i> ELECT. DES. <i>SS</i> MECH. DES. <i>RR</i>	DATE 1-18-63 DATE 5/24/64 DATE 3/24/64
DECIMALS .X ± .05 .XX ± .01 .XXX ± .005			TOLERANCES ± 1/64 ANGLES ± 0° 30'	
Q'TY./UNIT SCALE #			FINAL APPROVAL <i>RR</i> BF-106 SHEET	
MODEL USED ON GPT-200K CODE C			DATE DATE DATE	
ASS'Y. NO. S-401-116 (SK-486)			DATE DATE DATE	
THE CONTENTS OF THIS DRAWING ARE THE EXCLUSIVE PROPERTY OF THE TECHNICAL MATERIEL CORP. ITS UNAUTHORIZED USE OR REPRODUCTION IN WHOLE OR IN PART IS STRICTLY FORBIDDEN.				
REV. LTR. 0				

NOTES