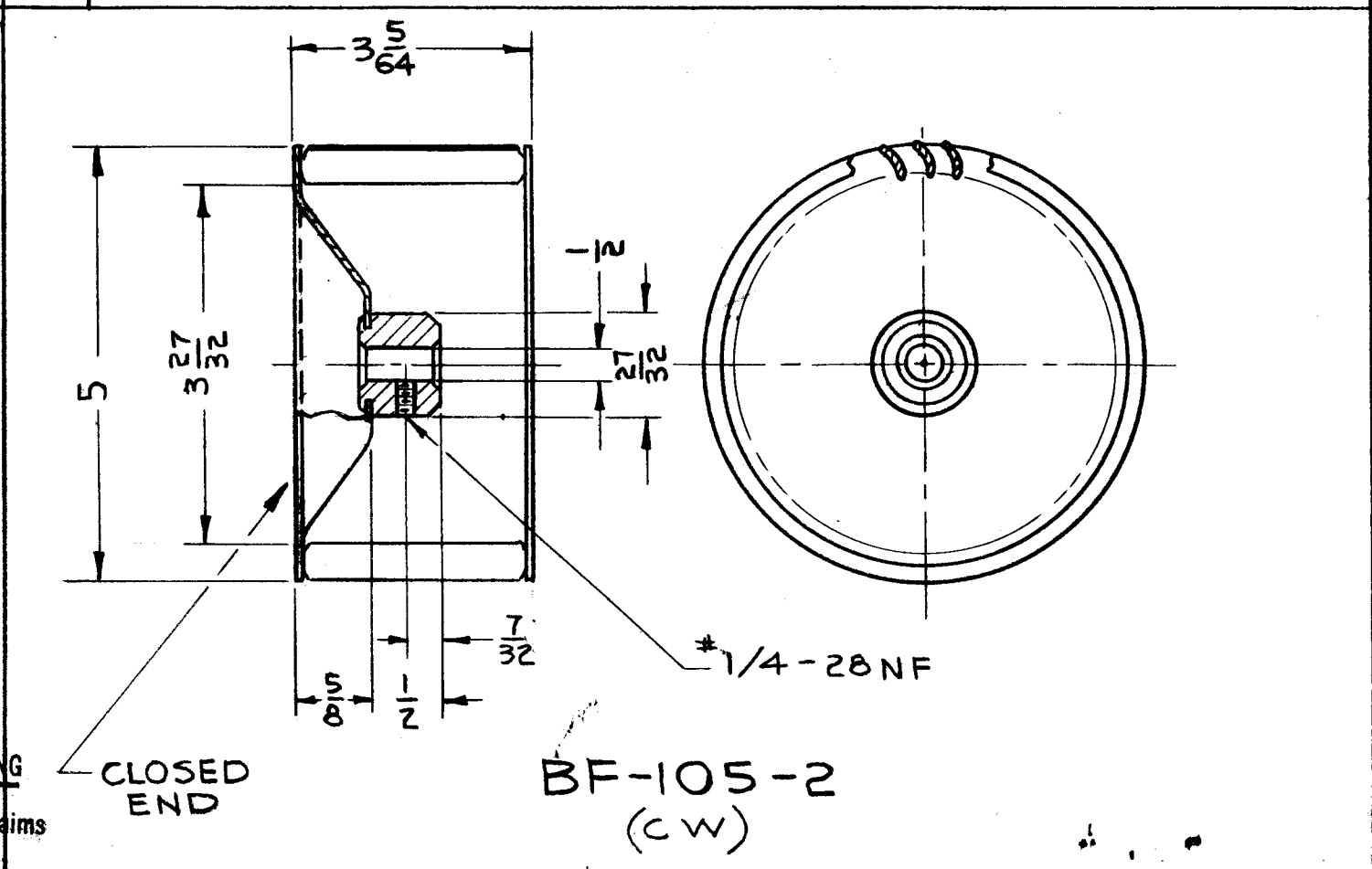
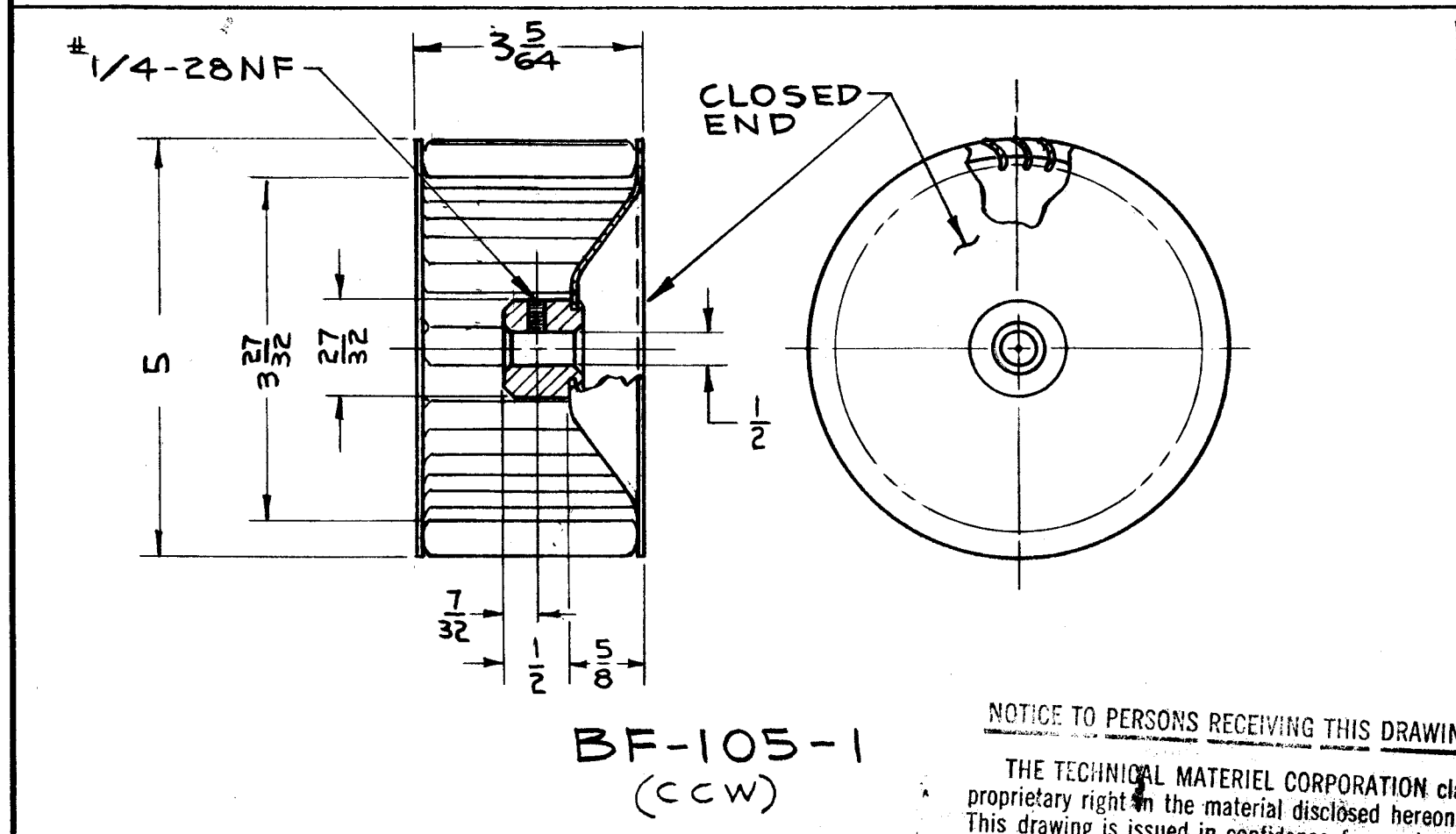


TMC PART NO.	MFRS PART NO.	(SEE NOTE 1) DIR. ROTATION	USED ON
BF-105-1	SK-452-D	CCW	BL-112
BF-105-2	SK-452-E	CW	BL-112

REVISIONS					
SYM	DESCRIPTION	DATE	E.M.N. NO.	DRAFT	CHKD APPD

BF-105



NOTICE TO PERSONS RECEIVING THIS DRAWING

THE TECHNICAL MATERIEL CORPORATION claims proprietary right in the material disclosed hereon. This drawing is issued in confidence for engineering information only and may not be reproduced or used to manufacture anything shown hereon without permission from THE TECHNICAL MATERIEL CORPORATION to the user. This drawing is loaned for mutual assistance and is subject to recall at any time.

Property of:
THE TECHNICAL MATERIEL CORPORATION
MAMARONECK, NEW YORK

CAUTION NOTE

THESE IMPELLERS SHOULD NOT BE REPLACED INDIVIDUALLY UNLESS THEY ARE BALANCED WITH THEIR ASSOCIATED MOTOR IN THE ASSEMBLY IN WHICH THEY WILL BE INSTALLED.

NOTE :

1. DIRECTION OF ROTATION IS DETERMINED BY LOOKING AT THE CLOSED END OF IMPELLER.

REQ'D.	ITEM	PART NUMBER	DESCRIPTION	SYMBOL
LIST OF MATERIAL				
KRUZ			THE TECHNICAL MATERIEL CORP. MAMARONECK, NEW YORK	
MATERIAL STEEL			TITLE IMPELLER, FAN	
FINISH ZINC PLATE				
UNLESS OTHERWISE SPECIFIED DIMENSIONS ARE IN INCHES AND INCLUDE CHEMICALLY APPLIED OR PLATED FINISHES			DRAWN: <i>[Signature]</i> CHECKED: <i>[Signature]</i> DATE: 1-14-63	FINAL APPROVAL: <i>[Signature]</i> DATE: 2-11-63
DECIMALS .X ± .05 .XX ± .01 .XXX ± .005			TOLERANCES FRACTIONS ± 1/64 ANGLES ± 0° 30'	DATE: 2-8-63 SHEET: BF-105
REV. LTR.				

Q'TY./UNIT	MODEL USED ON	ASS'Y. NO.
1 EACH ON BL-112		
SCALE	CODE	
NO SCALE		S401-116
THE CONTENTS OF THIS DRAWING ARE THE EXCLUSIVE PROPERTY OF THE TECHNICAL MATERIEL CORP. ITS UNAUTHORIZED USE OR REPRODUCTION IN WHOLE OR IN PART IS STRICTLY FORBIDDEN.		

NOTES