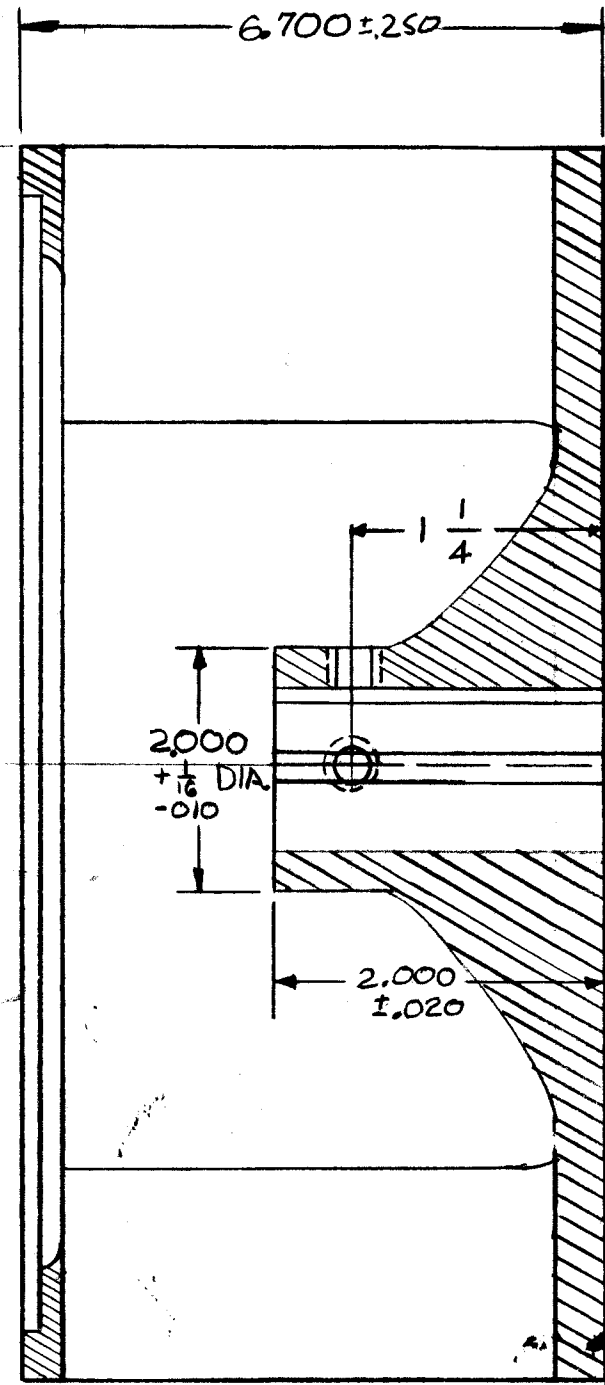
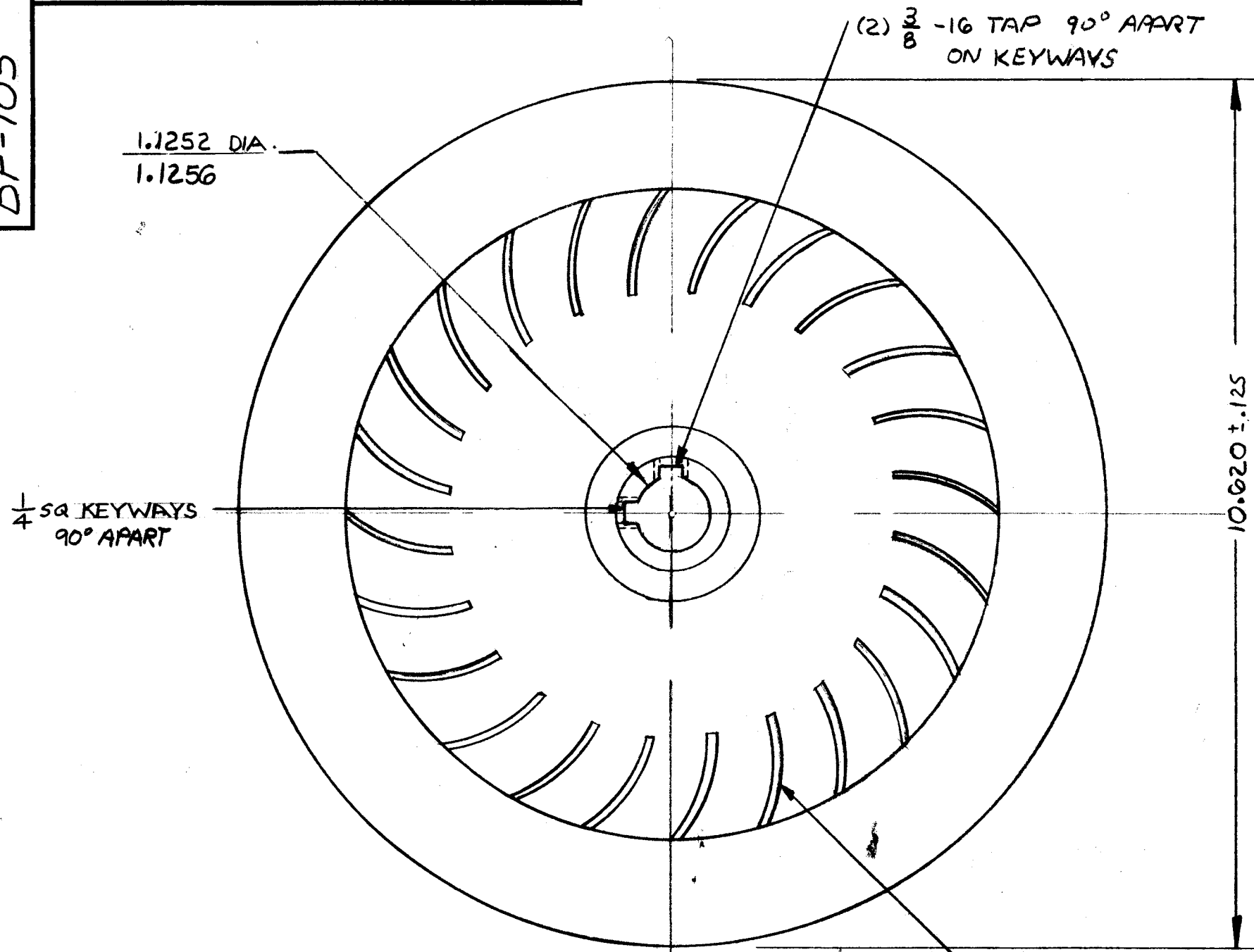


THE CONTENTS OF THIS DRAWING ARE THE EXCLUSIVE PROPERTY OF THE TECHNICAL MATERIEL CORP. ITS UNAUTHORIZED USE OR REPRODUCTION IN WHOLE OR IN PART IS STRICTLY FORBIDDEN.

BF-103



20 FAN BLADES EQUALLY SPACED

NOTE:
THIS FAN BLADE IS FOR SPARE PARTS PURPOSES FOR TMC CENTRIFICAL FAN NO. BL-110.

REQ.	ITEM	PART NO.	DESCRIPTION	SYMBOL
			THE TECHNICAL MATERIEL CORP. MAMARONECK, NEW YORK	
STOCK SIZE			BLADE, CENTRIFICAL, FAN	
ALUM. ALLOY			FOR BL-110	
MATERIAL			AB	WLF
356-T6				OB
TYPE & TEMPER		HEAT TREAT. SPEC.	DRAWN	CHECKED
BLACK PAINT			5	
FINISH & SPEC. NO.			ELEC. DES. APP.	MECH. DES. APP.
				BF-103

SYM	DESCRIPTION	DATE	CH. NO.	DRAFTS	CHECKER	ENG. APP.
A	COMPLETELY REVISED	5-12-61	14045	CJL	JL	[Signature]

UNLESS OTHERWISE SPECIFIED:
DIMENSIONS ARE IN INCHES
TOLERANCES ON FRACTIONS ± 1/64 DECIMALS ± .005 ANGLES ± 1/2°

SCALE: S401-116 (SK-336 B)
MAXIMUM ALLOWABLE TOLERANCES HAVE BEEN DETERMINED AND ANY DEVIATIONS WILL BE CAUSE FOR REJECTION.
REMOVE ALL BURRS AND SHARP EDGES

REQ. PER UNIT	MODEL	SECTION	ASSY. NO.	DATE
	GPT-40K			11-20-61