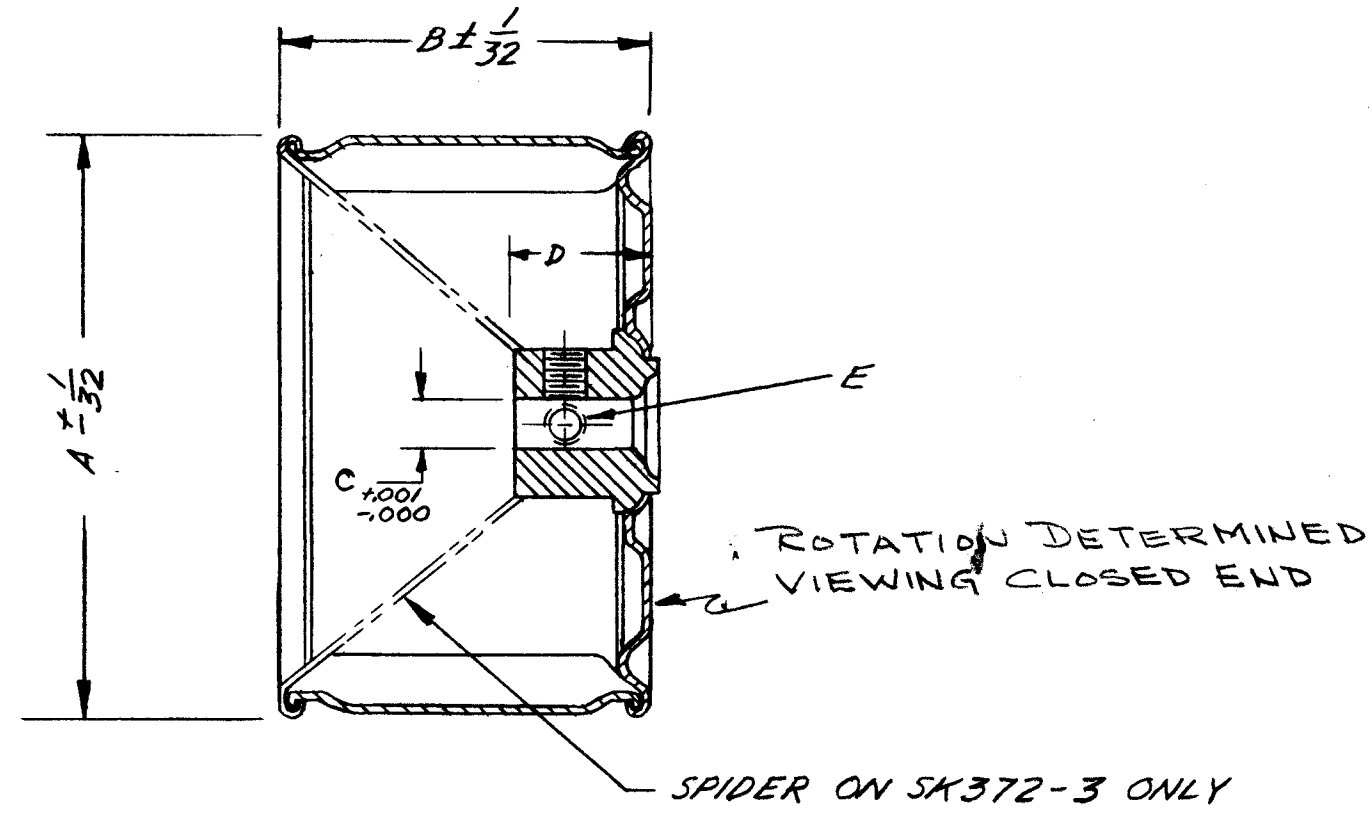


STANDARD DRAWING

A THE CONTENTS OF THIS DRAWING ARE THE EXCLUSIVE PROPERTY OF THE TECHNICAL MATERIEL CORP. ITS UNAUTHORIZED USE OR REPRODUCTION IN WHOLE OR IN PART IS STRICTLY FORBIDDEN.

BF-100

TMC PART NO.	PART NO.	ROTATION	A	B	C	D	E	USED ON MOTOR	SPARE PART FAN WHEEL FOR TMC FAN NO.
BF-100-1	SK-372-1	CW	$5\frac{1}{4}$	$2\frac{1}{32}$	$\frac{5}{16}$	$\frac{21}{32}$	$\frac{1}{4}$ -28 NF (2) 90° APART	BC2918B-6	BL-103
BF-100-2	SK-372-2	CCW	3	$1\frac{29}{32}$	$\frac{1}{4}$	$\frac{21}{32}$	10-32 NF (2) 90° APART	BC1621B-1	BL-102
BF-100-3	SK-372-3	CCW	$7\frac{29}{32}$	$3\frac{13}{16}$	$\frac{1}{2}$	2	$\frac{5}{16}$ NF (2) 90° APART	BT4530B	BL-111



NOTICE TO PERSONS RECEIVING THIS DRAWING

THE TECHNICAL MATERIEL CORPORATION claims proprietary right in the material disclosed hereon. This drawing is issued in confidence for engineering information only and may not be reproduced or used to manufacture anything shown hereon without permission from THE TECHNICAL MATERIEL CORPORATION to the user. This drawing is loaned for mutual assistance and is subject to recall at any time.

Property of:
THE TECHNICAL MATERIEL CORPORATION
MAMARONECK, NEW YORK

A	D HAD .010 TOL. MATL & FIN ADD	3-30-66	16033	WJW	JCS	JC
SYM	DESCRIPTION	DATE	CH. NO.	DRAFTS	CHECKER	ENG. APP.
UNLESS OTHERWISE SPECIFIED:		SCALE: S401-116				
DIMENSIONS ARE IN INCHES		MAXIMUM ALLOWABLE TOLERANCES HAVE BEEN DETERMINED AND ANY DEVIATIONS WILL BE CAUSE FOR REJECTION.				
TOLERANCES ON FRACTIONS ± 1/64		REMOVE ALL BURRS AND SHARP EDGES				
DECIMALS ± .005						
ANGLES ± 1/2°						

REQ. PER UNIT	MODEL	SECTION	ASS'Y. NO.	DATE

REQ. ITEM	PART NO.	DESCRIPTION	SYMBOL
		THE TECHNICAL MATERIEL CORP. MAMARONECK, NEW YORK	
		STOCK SIZE	
		MATERIAL	
		STEEL	
		TYPE & TEMPER	
		HEAT TREAT. SPEC.	
		DRAWN	
		CHECKED	
		FINAL APPROVAL	
		S105-CAD. PLATE TYPE II	
		FINISH & SPEC. NO.	
		ELEC. DES. APP.	
		MECH. DES. APP.	