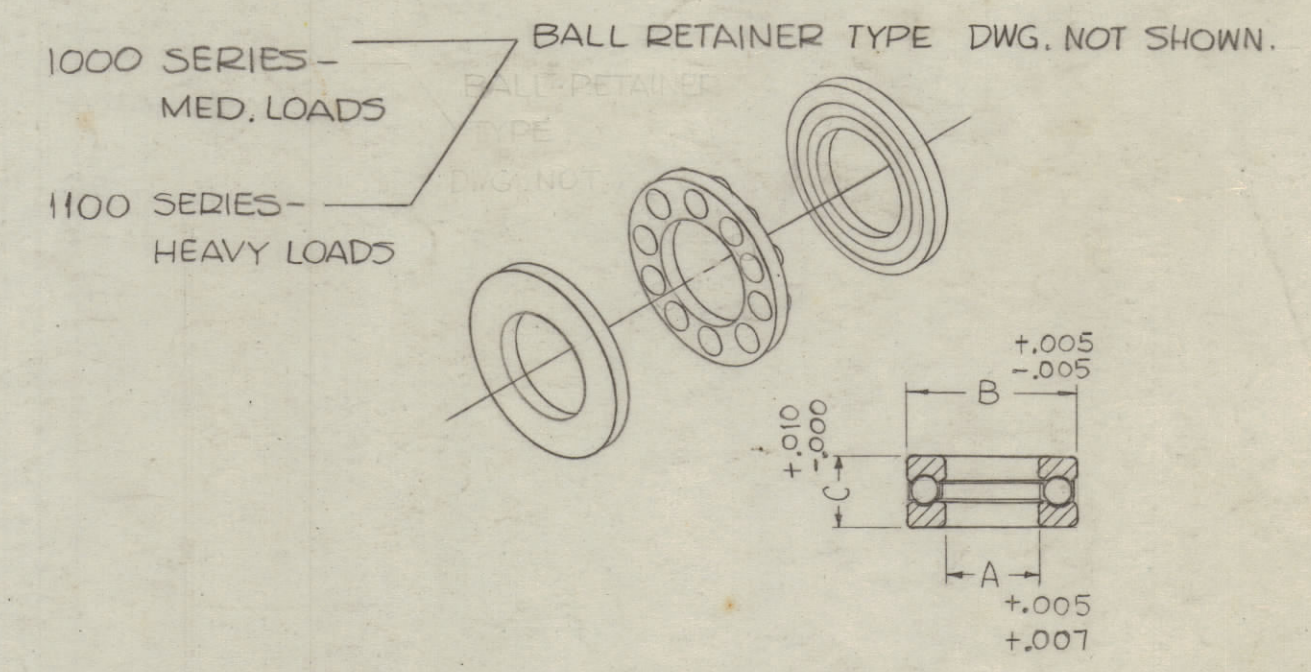


TMC PART NO.	MFR'S CAT. NO.	DIMENSIONS			STYLE
		A	B	C	
BB-129-1	AO1	3/16	7/16	3/16	A
-2	AO3	3/16	5/8	1/4	A
-3	AO5	1/4	9/16	7/32	A
-4	AO7	1/4	27/32	3/8	A
-5	AO8	5/16	5/8	1/4	A
-6	AO9	5/16	27/32	3/8	A
-7	AO10	3/8	11/16	9/32	A
-8	AO11	3/8	1 1/32	1/2	A
-9	AO13	7/16	13/16	5/16	A
-10	AO14	7/16	1 3/32	1/2	A
-11	AO16	1/2	7/8	3/8	A
-12	SAO1	3/16	7/16	3/16	A
-13	SAO5	1/4	9/16	7/32	A
-14	SAO8	5/16	5/8	1/4	A
-15	SAO10	3/8	11/16	9/32	A
-16	SAO13	7/16	13/16	5/16	A
-17	SAO16	1/2	7/8	3/8	A
-18	1001	1/2	1 7/32	9/16	B
-19	1002	9/16	1 7/32	9/16	B
-20	1003	5/8	1 11/32	9/16	B
-21	1004	11/16	1 11/32	9/16	B
-22	1005	3/4	1 15/32	9/16	B
-23	1006	13/16	1 15/32	9/16	B
-24	1007	7/8	1 27/32	5/8	B
-25	1008	15/16	1 27/32	5/8	B
-26	1009	1	1 31/32	5/8	B
-27	1011	1 1/8	2 3/32	5/8	B
-28	1012	1 3/16	2 3/32	5/8	B
-29	1013	1 1/4	2 11/32	5/8	B
-30	1014	1 5/16	2 11/32	5/8	B
-31	1015	1 3/8	2 15/32	5/8	B
-32	1016	1 7/16	2 15/32	5/8	B
-33	1017	1 1/2	2 19/32	5/8	B
-34	1018	1 9/16	2 19/32	5/8	B
-35	1019	1 5/8	2 31/32	13/16	B
-36	1020	1 11/16	2 31/32	13/16	B
-37	1021	1 3/4	3 3/32	13/16	B
-38	1022	1 13/16	3 3/32	13/16	B
-39	1023	1 7/8	3 7/32	13/16	B
-40	1024	1 15/16	3 7/32	13/16	B
-41	1025	2	3 11/32	13/16	B
-42	1026	2 1/16	3 11/32	13/16	B
-43	1027	2 1/8	3 19/32	13/16	B
-44	1028	2 3/16	3 19/32	13/16	B
-45	1029	2 1/4	3 23/32	13/16	B
-46	1031	2 3/8	3 27/32	13/16	B
-47	1032	2 7/16	3 27/32	13/16	B
-48	1033	2 1/2	3 31/32	13/16	B
-49	1034	2 9/16	3 31/32	13/16	B
-50	1036	2 11/16	4 1/32	1	B

TMC PART NO.	MFR'S CAT. NO.	DIMENSIONS			STYLE
		A	B	C	
BB-129-51	1037	2 3/4	4 15/32	1	B
-52	1038	2 13/16	4 15/32	1	B
-53	1039	2 7/8	4 19/32	1	B
-54	1041	3	4 23/32	1	B
-55	1042	3 1/4	4 31/32	1	B
-56	1043	3 1/2	5 7/32	1	B
-57	1101	1	2 1/16	3/4	B
-58	1102	1 1/8	2 3/16	3/4	B
-59	1103	1 1/4	2 5/16	3/4	B
-60	1104	1 3/8	2 7/16	3/4	B
-61	1105	1 1/2	2 9/16	3/4	B
-62	1106	1 5/8	2 13/16	7/8	B
-63	1107	1 3/4	2 15/16	7/8	B
-64	1108	1 7/8	3 1/16	7/8	B
-65	1109	2	3 3/16	7/8	B
-66	1110	2 1/4	3 7/16	7/8	B
-67	1111	2 1/2	4	1 1/8	B
-68	1112	3	4 1/2	1 1/8	B
-69	1113	3 1/2	5	1 1/8	B

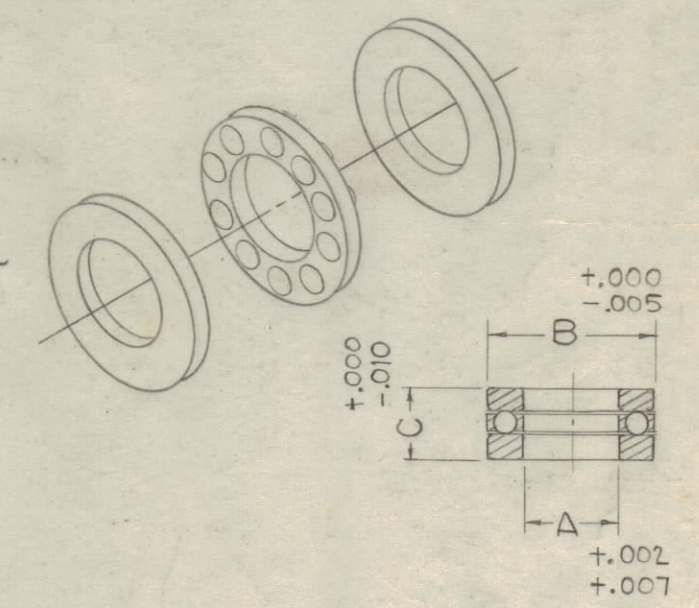
REVISIONS							
ZONE	SYM	DESCRIPTION	DATE	E.M.N. NO.	DRAFT	CHKD	APPD
	Ø	ORIGINAL RELEASE FOR PRODUCTION	3-1-64				



STYLE-B

AO SERIES - BALLS CAGE
FOR LIGHT LOADS
BRASS CASE

SAO SERIES -
LIGHT LOADS
STAINLESS STEEL
PARTS.



STYLE-A

REQ'D.	ITEM	PART NUMBER	DESCRIPTION	SYMBOL
LIST OF MATERIAL				
MATERIAL			THE TECHNICAL MATERIEL CORP. MAMARONECK, NEW YORK	
FINISH			TITLE	
			BEARING, RACE	
UNLESS OTHERWISE SPECIFIED DIMENSIONS ARE IN INCHES AND INCLUDE CHEMICALLY APPLIED OR PLATED FINISHES			DRAWN <i>SRG</i>	DATE <i>4-23-63</i>
SCALE <i>1</i>			CHECKED <i>LB</i>	DATE
Q'TY./UNIT			DATE	FINAL APPROVAL
MODEL USED ON			BB-129	
CODE			DATE	
ASS'Y. NO.			DATE	
THE CONTENTS OF THIS DRAWING ARE THE EXCLUSIVE PROPERTY OF THE TECHNICAL MATERIEL CORP. ITS UNAUTHORIZED USE OR REPRODUCTION IN WHOLE OR IN PART IS STRICTLY FORBIDDEN.			MECH. DES. <i>QA</i>	
DECIMALS			DATE	
X ± .05			DATE	
XX ± .01			DATE	
XXX ± .005			DATE	
TOLERANCES			DATE	
± 1/64			DATE	
± 0° 30'			DATE	
			SHEET	
			REV. LTR.	

NOTES

BB-129