

THE CONTENTS OF THIS DRAWING ARE THE EXCLUSIVE PROPERTY OF THE TECHNICAL MATERIEL CORP. ITS UNAUTHORIZED USE OR REPRODUCTION IN WHOLE OR IN PART IS STRICTLY FORBIDDEN.

REQ. PER UNIT

1

USED ON

ASS'Y. NO.

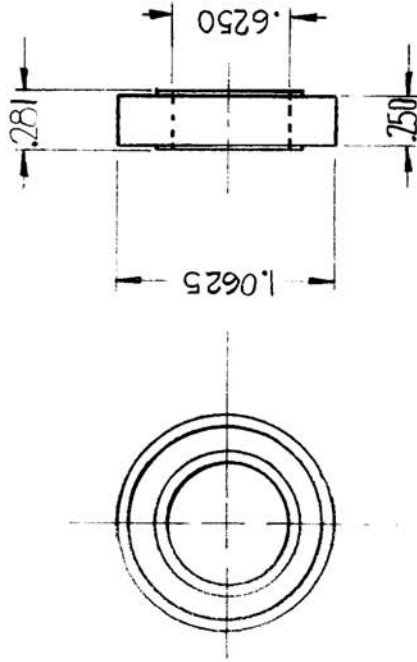
DATE

7-26-62

MODEL

HF-1

BB-127



THE FAFNIR BEARING CO. #B-538 DD

REQ. ITEM	PART NO.	DESCRIPTION	SYMBOL
		KRUY	
		THE TECHNICAL MATERIEL CORP. MAMARONECK, NEW YORK	
		RACE BEARING	
		SAE 52100 STEEL	
		MATERIAL	
		TYPE & TEMPER	
		HEATTREAT. SPEC.	
		FINISH & SPEC. NO.	
		DRAWN	
		CHECKED	
		ELEC. DES. APP.	
		MECH. DES. APP.	
		FINAL APPROVAL	

SYM	DESCRIPTION	DATE	CH. NO.	DRAFTS	CHECKER	ENG. APP.

SCALE: *DO NOT SCALE*

UNLESS OTHERWISE SPECIFIED:
 DIMENSIONS ARE IN INCHES
 TOLERANCES ON
 FRAC. ± 1/64 DEC. ± .005 ANGLES ± 1/2°

MAXIMUM ALLOWABLE TOLERANCES HAVE BEEN DETERMINED AND ANY DEVIATIONS WILL BE CAUSE FOR REJECTION. REMOVE ALL BURRS AND SHARP EDGES

Handwritten initials: *AK*

Handwritten number: *BB-127*