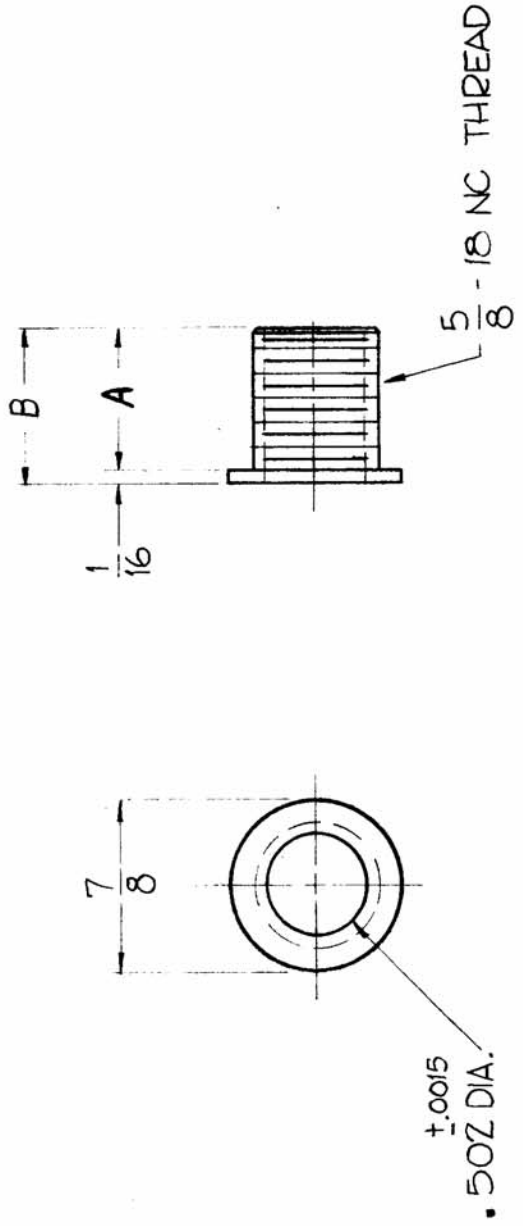


TMC NUMBER	"A" DIM	"B" DIM	MODEL USED ON	QUAN.	REQ. PER. UNIT	MODEL	USED ON ASS'Y. NO.	DATE	BB 125 B
BB 125	3/4	13/16	ACU	2				4-25-61	
BB 125-2	5/8	11/16	AT-106/GPT-40K(1)	1					
BB 125-3	3/8	7/16	GPR 110	1					



NOTE  
BB-12Z MAY BE MODIFIED, IF NECESSARY.

REQ. ITEM	PART NO.	DESCRIPTION	SYMBOL
B	ADD BB 125-3	THE TECHNICAL MATERIEL CORP. MAMARONECK, NEW YORK	
A	BB 125-2 & CHART ADDED.	BEARING, PANEL	
ISSUE ITEM	CHANGED FROM		
		STOCK SIZE BRASS	
		MATERIAL	
		TYPE & TEMPER	
		HEAT TREAT. SPEC.	
		FINISH & SPEC. NO.	
		DRAWN	John C. Biele
		CHECKED	aa
		ELEC. DES. APP. MECH. DES. APP.	
		SCALE: DO NOT SCALE	
		MAXIMUM ALLOWABLE TOLERANCES HAVE BEEN DETERMINED AND ANY DEVIATIONS WILL BE CAUSE FOR REJECTION. REMOVE ALL BURRS AND SHARP EDGES	
DEC. DIM. ±			
FRAC. DIM. ± 1/64			
ANGULAR DIM. ±			
		FINAL APPROVAL	BB 125 B