

STANDARD DRAWING

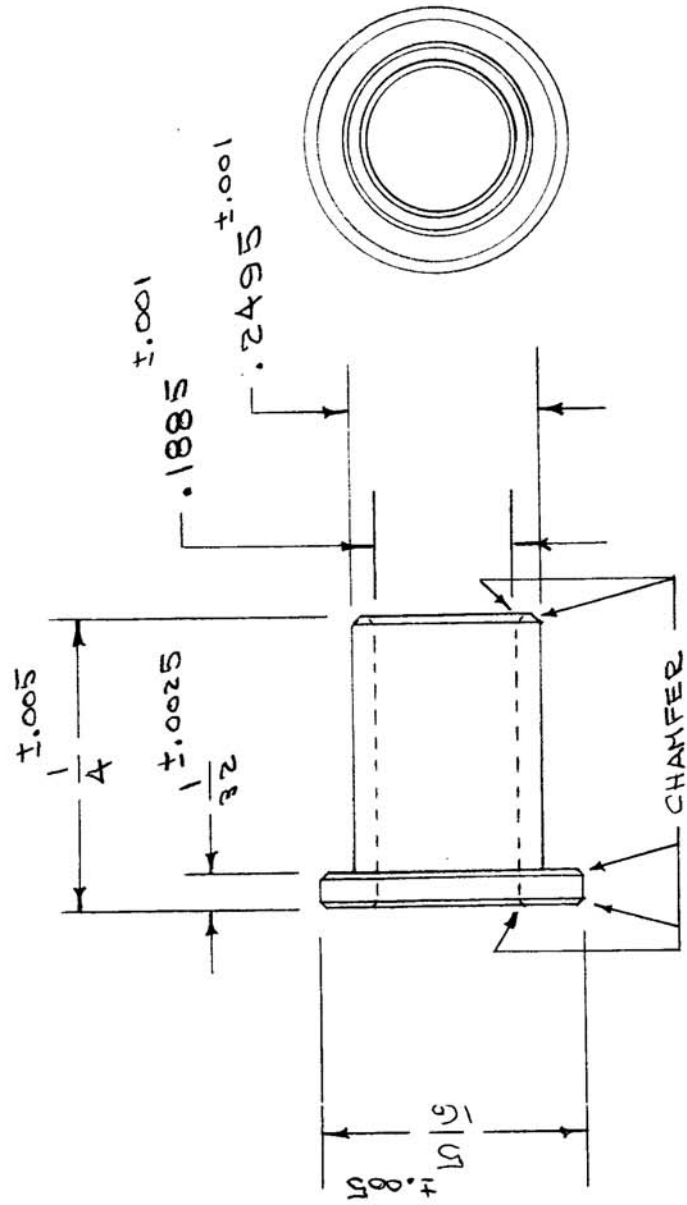
BB-115

USED ON
ASSY. NO.

MODEL

REQ. PER UNIT

DATE



REF: BEEMER ENG. CO. # F-214-1

REQ. ITEM	DESCRIPTION	SYMBOL
	THE TECHNICAL MATERIEL CORP. MAMARONECK, NEW YORK	
	BEARING, OILITE	
	STOCK SIZE BRONZE	
	MATERIAL	
	TYPE & TEMPER	HEAT TREAT. SPEC.
	FINISH & SPEC. NO.	
ISSUE ITEM	CHANGED FROM	DATE
		CH. NO.
		DRAFTS
		CHECKER
		ENG. APP.
SCALE: MAXIMUM ALLOWABLE TOLERANCES HAVE BEEN DETERMINED AND ANY DEVIATIONS WILL BE CAUSE FOR REJECTION. REMOVE ALL BURRS AND SHARP EDGES		
DEC. DIM. \pm		
FRAC. DIM. \pm		
ANGULAR DIM. \pm		
	CD 10/176	
	DRAWN	CHECKED
		FINAL APPROVAL
		BB-115
		ELEC. DES. APP. MECH. DES. APP.