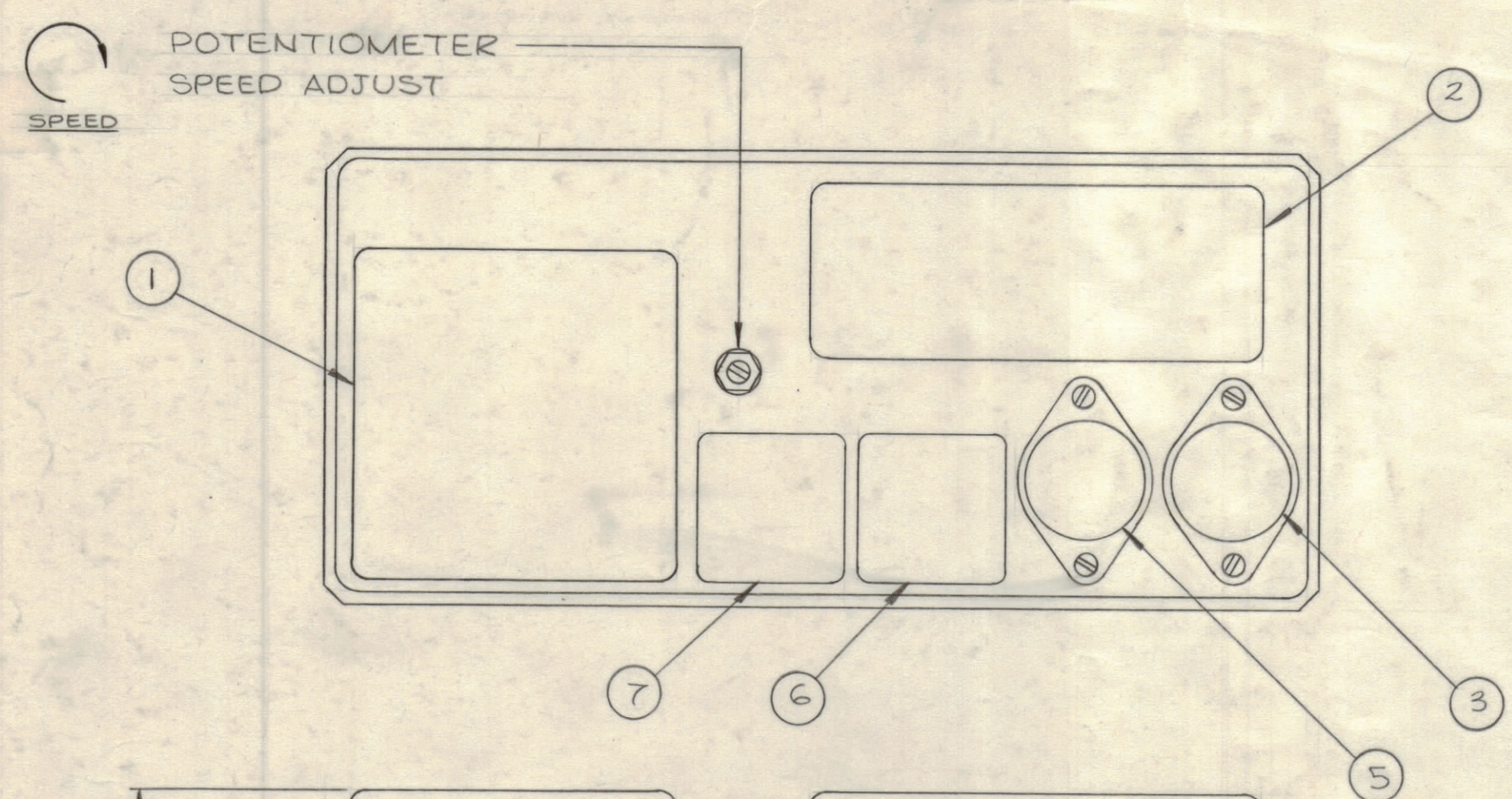
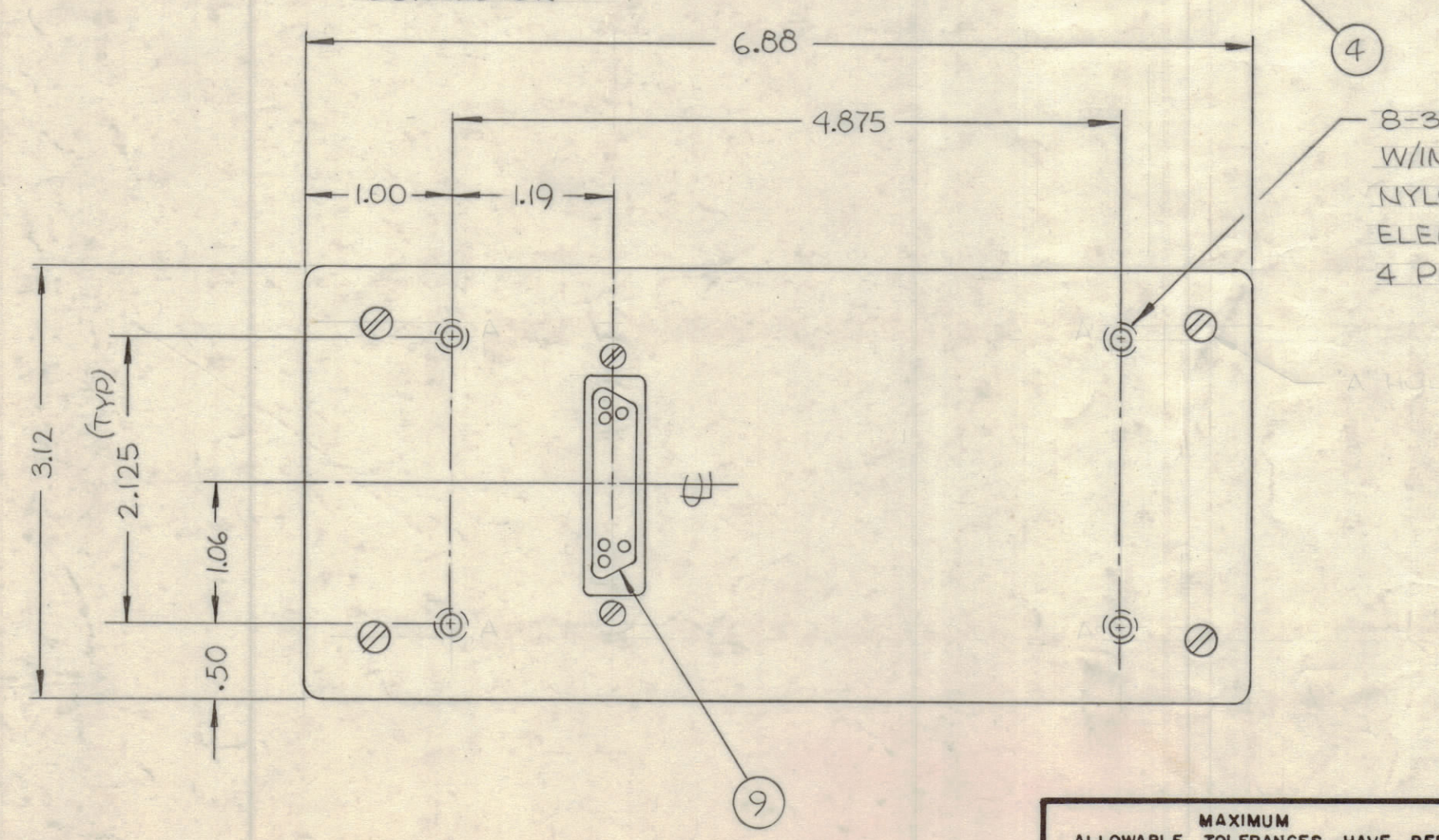
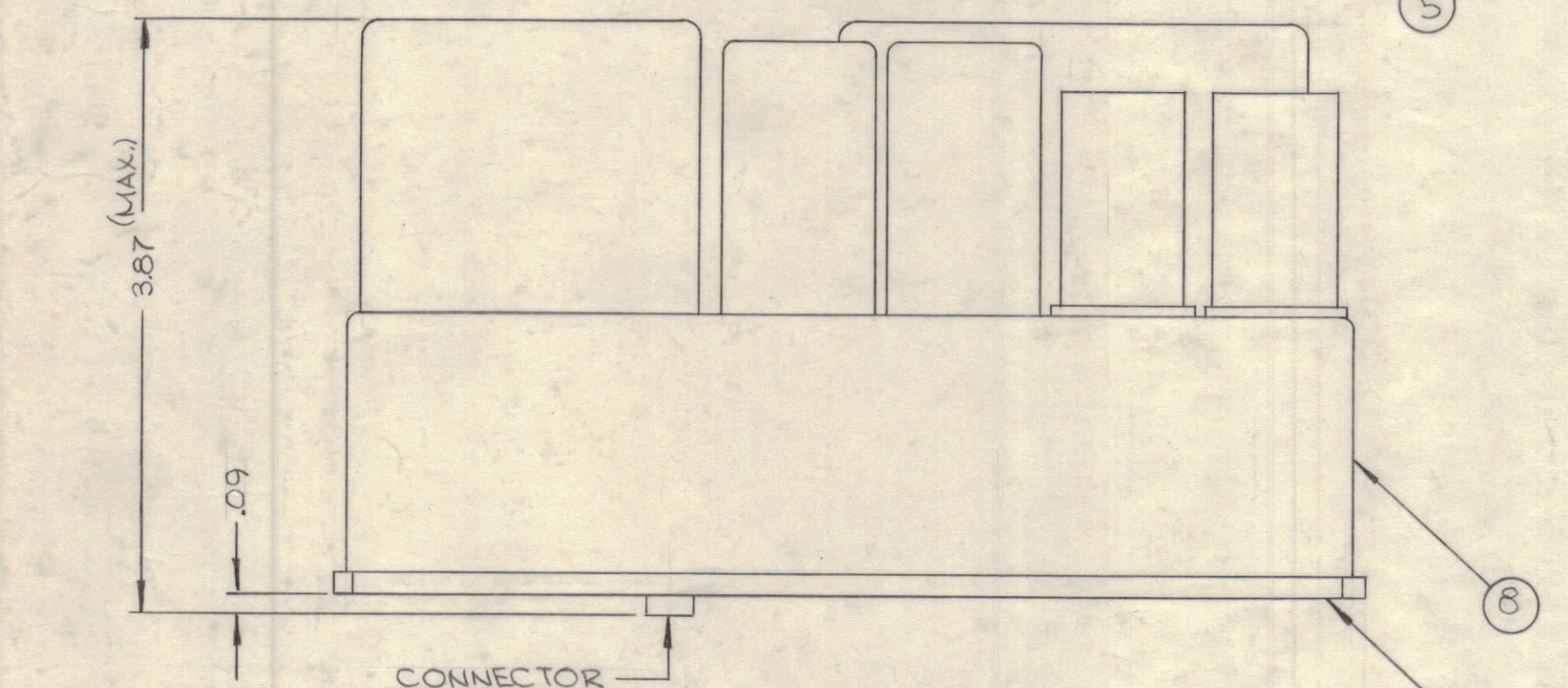


REVISIONS							
SYM	ZONE	DESCRIPTION	DATE	E.M.N.NO.	DRAFT	CHKD	APPD
Ø		ORIGINAL RELEASE FOR PRODUCTION	7/29/69			W	



~SPECIFICATIONS~

POWER RATING: 6 WATTS
 QUANTITY OF INPUT CHANNELS: 2
 TYPE OF CHANNELS: GROUND & PHASE DET. SIGNAL
 QUANTITY OF OUTPUT CHANNELS: 1
 TYPE OF CHANNEL: TUNING DRIVE
 INPUT IMPEDENCE: No 1 (50 K), No 2 (1MEG)
 OUTPUT IMPEDENCE: 100 Ω
 OPERATING VOLTAGE, FREQUENCY, PHASE:
 AC INPUT: 12.6 VAC CENTER TAP, 60 CPS
 SINGLE PHASE.
 DC INPUT: 30 VDC



QTY REQ	ITEM	MFG PART NO.	DESCRIPTION	SYMBOL
1	9	17-20250	CONNECTOR	
1	8	3-6430	CHASSIS ASS'Y	
1	7	22RJCC8000G	RELAY	
1	6	22RJCC1000G	RELAY	
1	5	C-1409	CHOPPER	
1	4	3-6429	BASE PLATE	
1	3	3-6409	TRANSFORMER	
1	2	MODEL 321A	MODULE	
1	1	MODEL 216A	MODULE	

REF: S401-380(CS-207)

UNLESS OTHERWISE SPECIFIED DIMENSIONS ARE IN INCHES TOLERANCES ON FRACTIONS DECIMALS ANGLES ±1/64 ±.005 ±1/2°	FINAL APPROVAL	DATE
	MECH. DES.	DATE
	ELECT. DES.	DATE
	CHECKED	DATE
MATERIAL	DRAWN	DATE
	APPROVED FOR BUSHIPS	DATE
FINISH	CONTRACT NO.	
	CODE	SIZE

BILL OF MATERIAL			
THE TECHNICAL MATERIEL CORP. MAMARONECK, NEW YORK			
SERVO CONTROL SYSTEM			
CONTRACT NO.	CODE	SIZE	DWG. NO.
	82679	C	AZ113
SCALE	SHEET		OF
	1		1

MAXIMUM ALLOWABLE TOLERANCES HAVE BEEN DETERMINED AND ANY DEVIATIONS WILL BE CAUSE FOR REJECTION.