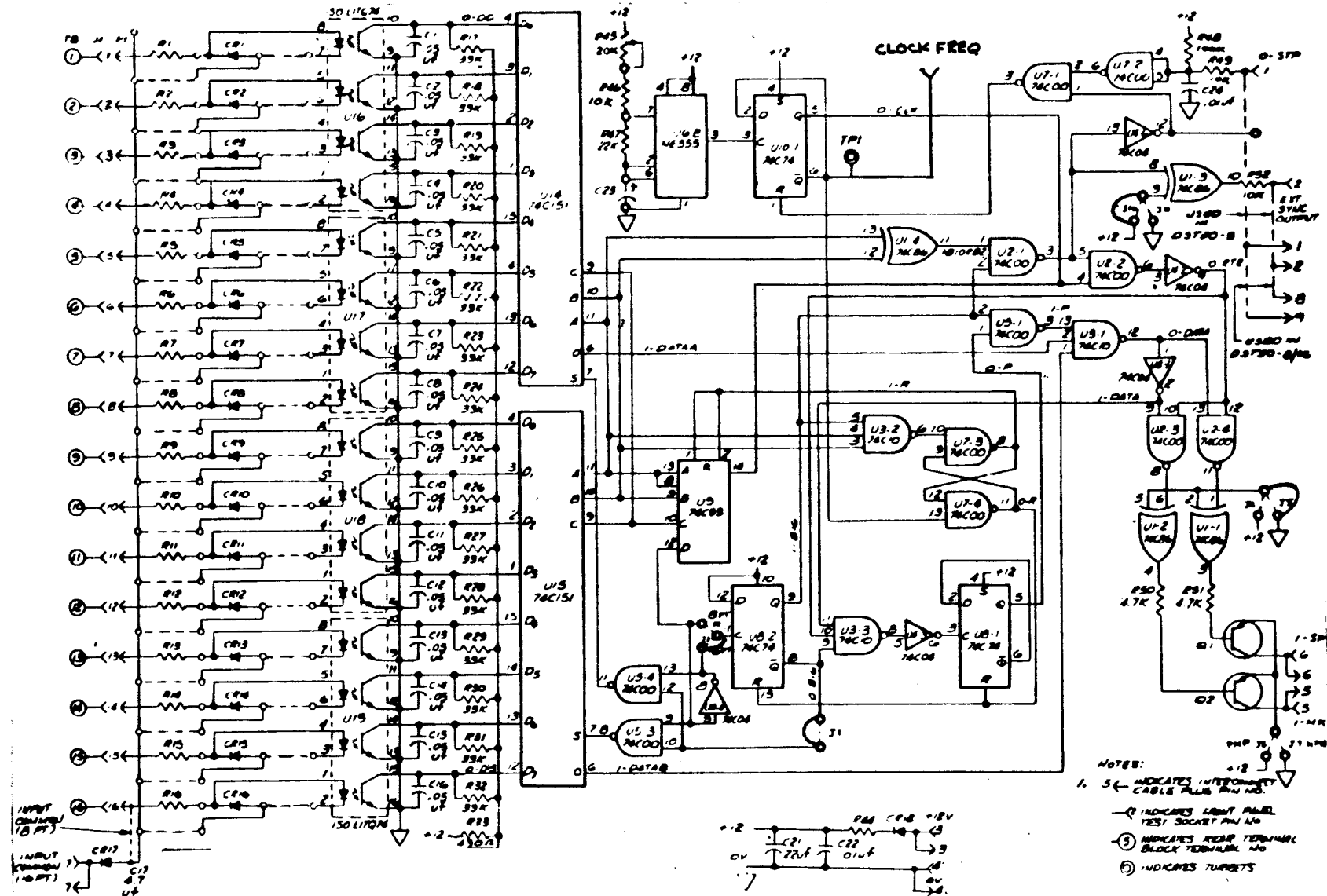
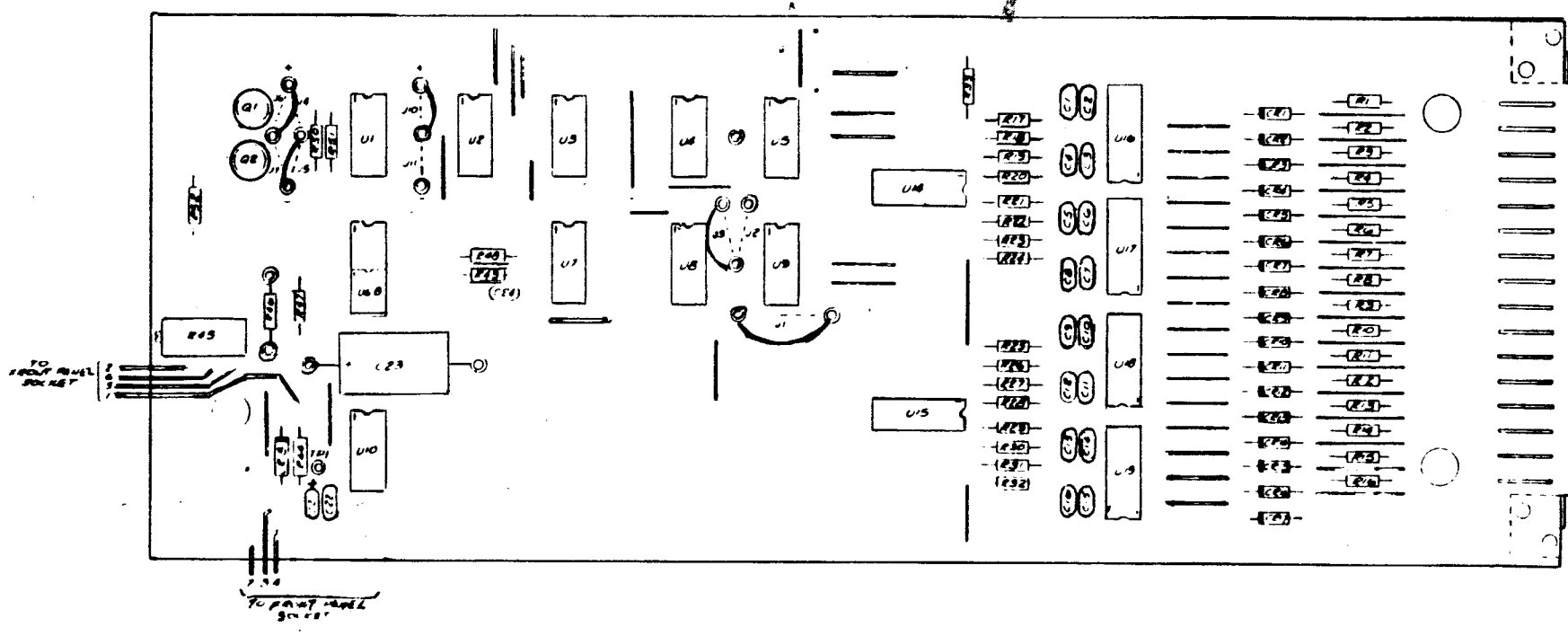
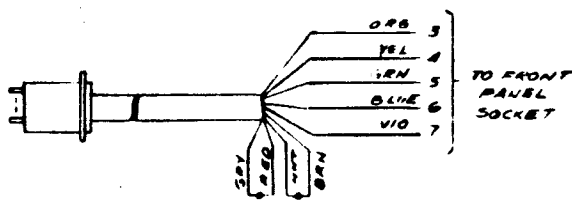


5/2/83



RI THRU R16 VALUES ARE 470 Ω 1/4 W



USED ON	USE JUMPERS
AX5254 (PROG) Z106, Z108	J1, J3, J5, J6, J10
AX5257 (DEC) Z103, Z108	

(DAC ELECTRONICS)

REQ'D	ITEM	PART NUMBER	DESCRIPTION	SYM.
LIST OF MATERIAL				
FINAL APPROVAL	DATE	THE TECHNICAL MATERIEL CORP. MAMARONECK, NEW YORK SCAN TRANSMITTER		
MECH. DES.	DATE			
ELECT. DES.	DATE			
CHECKED	DATE			
DRAWN	DATE			
		G. DeLucia	11-3-82	
SIZE	CODE IDENT. NO.	DWG NO.	ISSUE	
B	82679	AX813	Ø	
SCALE	SHEET		OF	