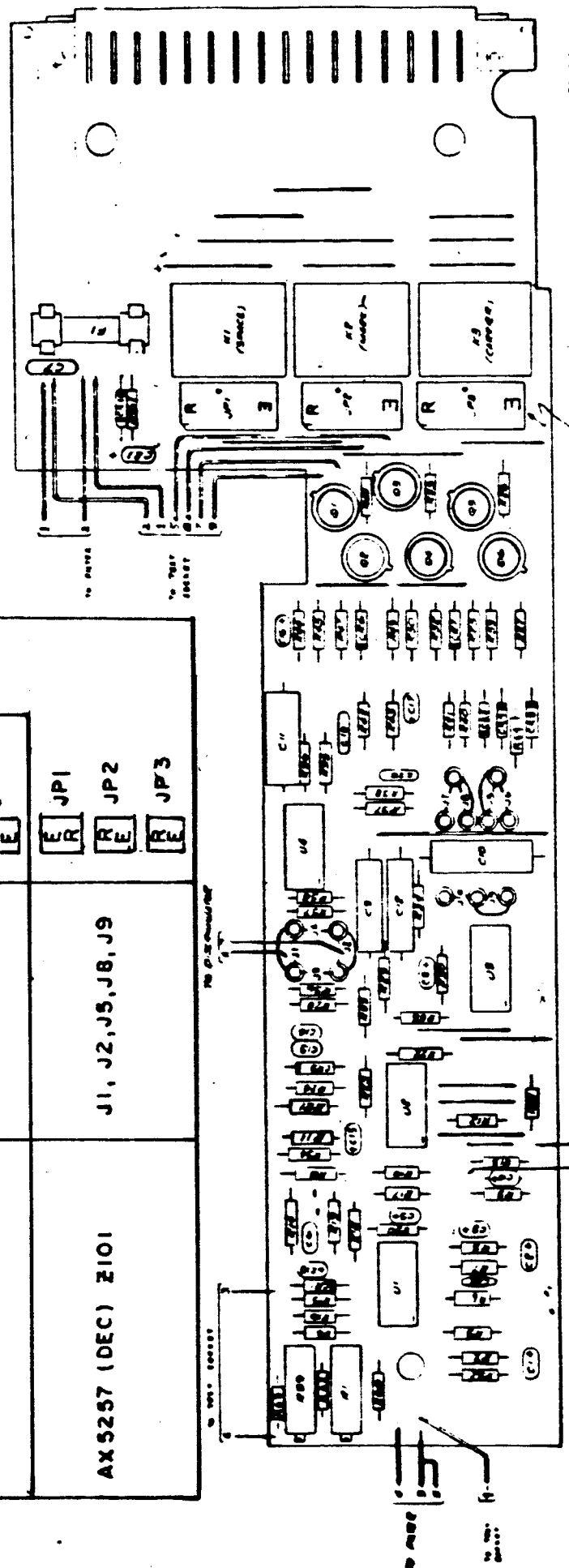
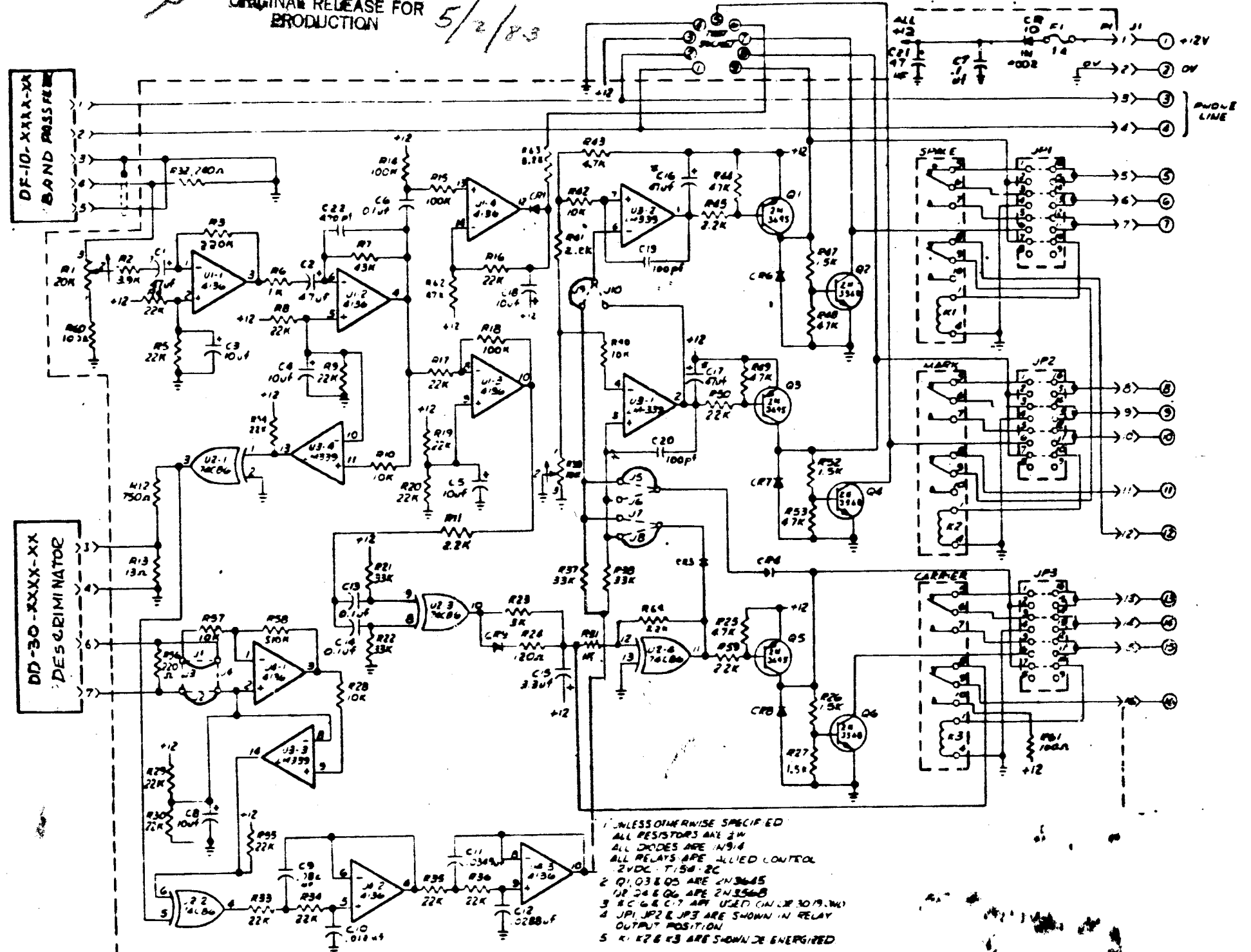


ORIGINAL RELEASE FOR PRODUCTION 5/2/83

USED ON AX5254 (PROG) Z102, Z104 AX5257 (DEC) Z107 Z109	USE JUMPERS J1, J2, J5, J8, J9 J1, J2, J5, J8, J9	JUMPER PLATFORM E JP1 E JP2 E JP3 E JP1 E JP2 E JP3	USE RELAY K3 K2 & K3	TRANSISTORS REMOVE Q2 & Q4 ALL ARE USED
AX5257 (DEC) Z101	J1, J2, J5, J8, J9			



UNLESS OTHERWISE SPECIFIED THE RELAY
LAYOUT FOR ELECTRONIC LAYOUT IS 0.000 INCHES
SO LONGER IS A MINIMUM.



(DAC ELECTRONICS)

REQ'D	ITEM	PART NUMBER	DESCRIPTION	SYM.			
LIST OF MATERIAL							
FINAL APPROVAL		DATE		THE TECHNICAL MATERIEL CORP. MAMARONECK, NEW YORK FREQ. SHIFT RECEIVER			
MECH. DES.		DATE					
ELECT. DES.		DATE					
CHECKED		DATE					
DRAWN <i>GD-LDD12</i>		DATE <i>10-31-82</i>					
SIZE	B	CODE IDENT. NO.	82679	DWG NO.	AX811	ISSUE	1