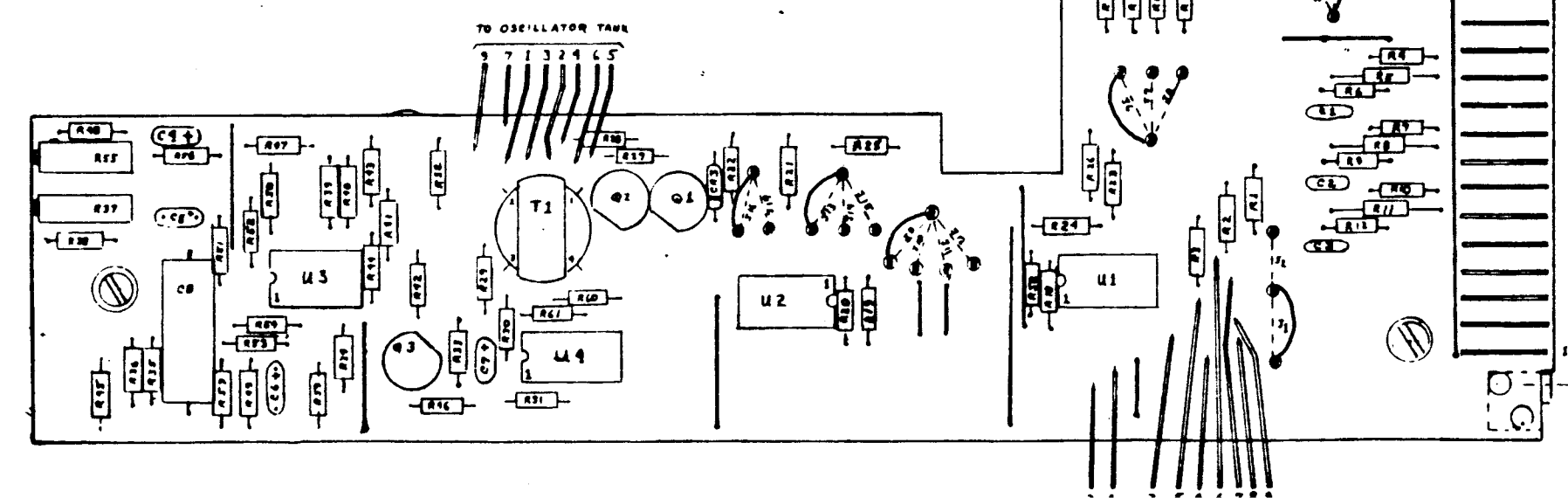
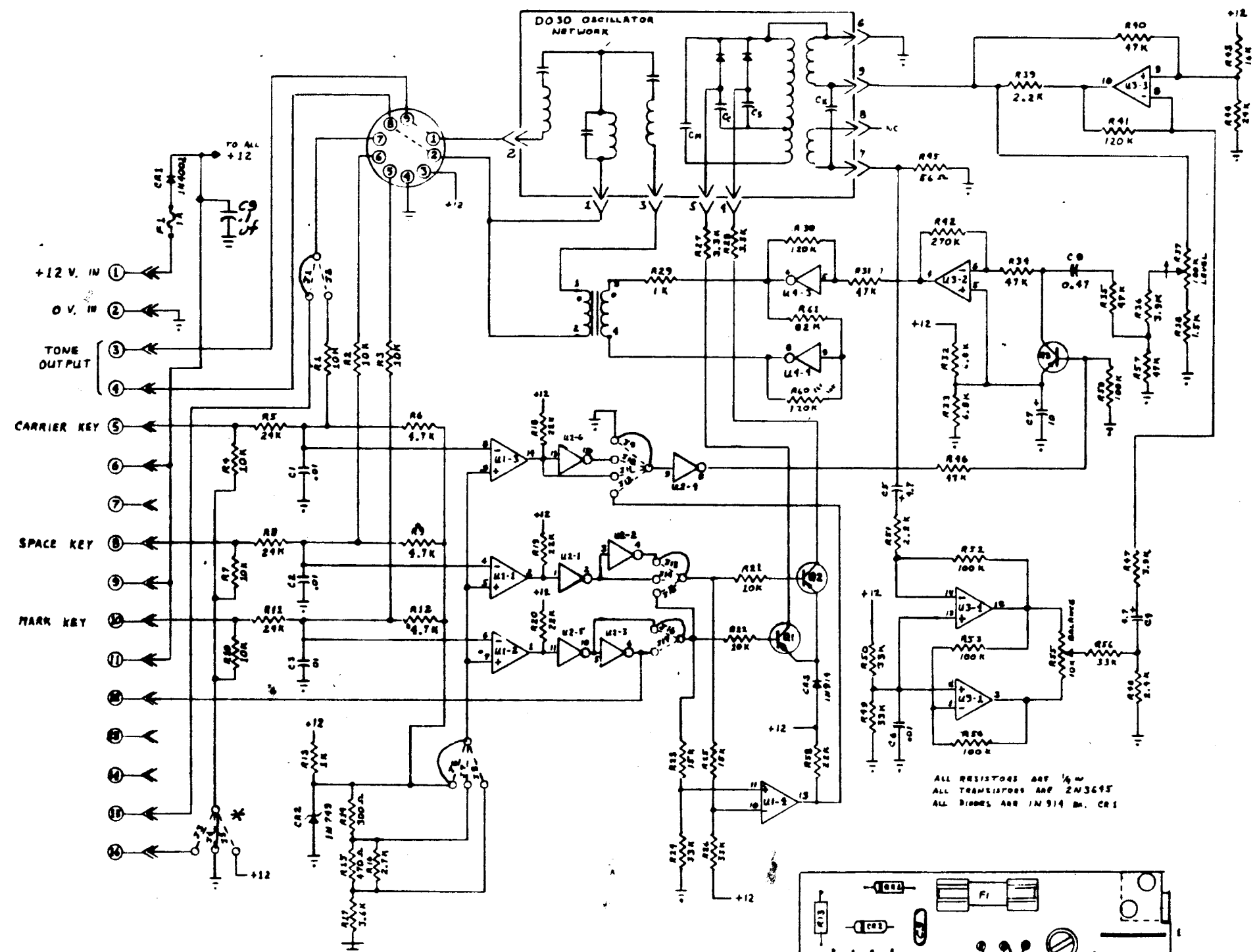


Ø ORIGINAL RELEASE FOR PRODUCTION 5/2/83



USE ON JUMPER

AX 5254 (PROG) Z107, Z109	J1, J4, J6, J9, J13, J16
AX 5257 (DEC) Z102, Z104	J1, J5, J6, J9, J13, J16
AX 5254 (PROG) Z101	ALSO USE JUMPER PLUG IN FRONT OF UNIT

(DAC ELECTRONICS)

REQ'D	ITEM	PART NUMBER	DESCRIPTION	SYM.			
LIST OF MATERIAL							
FINAL APPROVAL		DATE	<b>THE TECHNICAL MATERIEL CORP.</b> MAMARONECK, NEW YORK  <b>FREQ. SHIFT TRANSMITTER</b>				
MECH. DES.		DATE					
ELECT. DES.		DATE					
CHECKED		DATE					
DRAWN		DATE					
		G.D.L.	11-2-81				
SIZE	B	CODE IDENT. NO.	82679	DWG NO.	AX 810	ISSUE	Ø