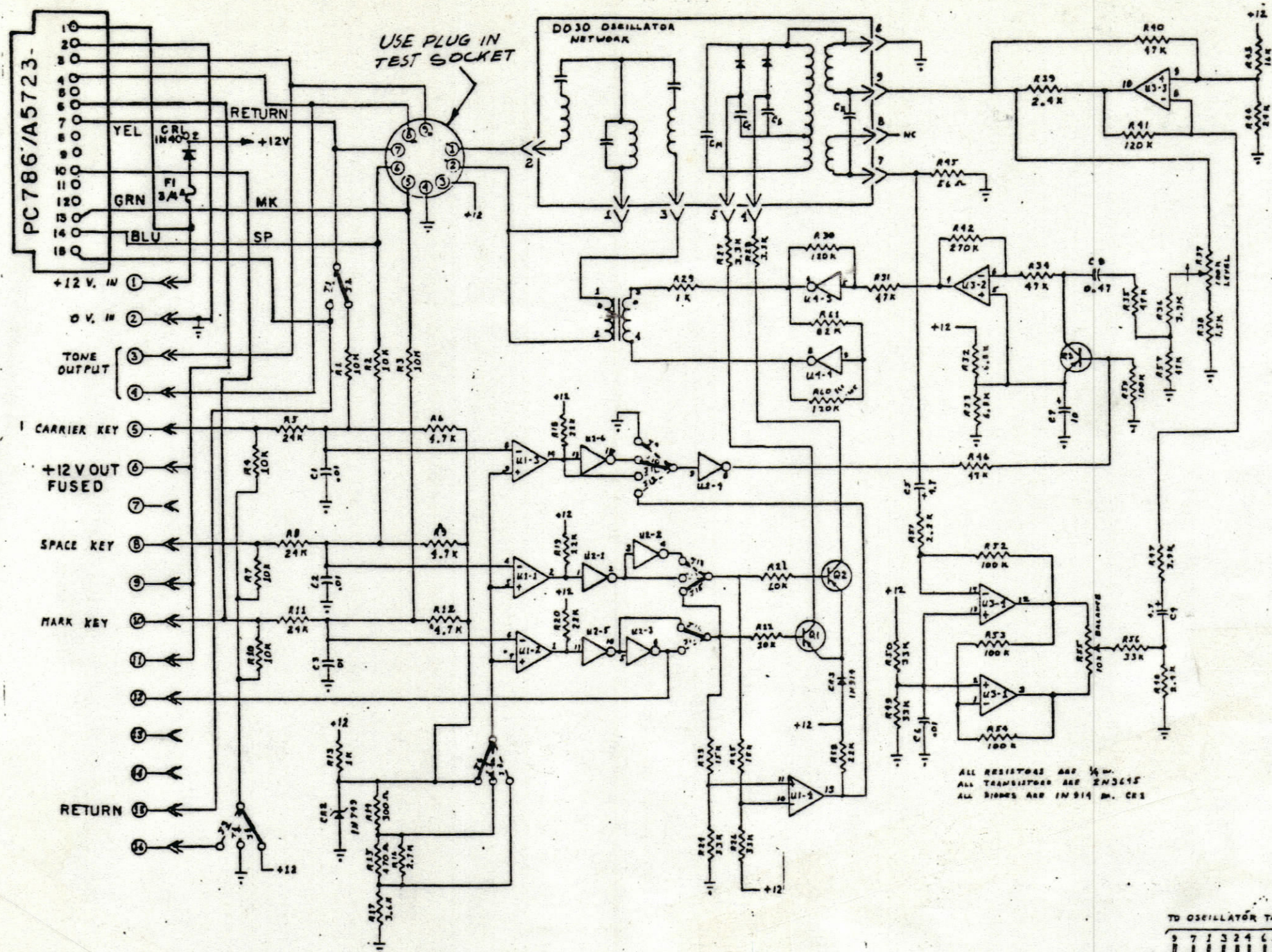


REVISIONS							
ZONE	LTR	DESCRIPTION	DATE	E.M.N.NO	DRAFT	CHKD	APPD
	0	ORIGINAL RELEASE	7-9-80			dw	

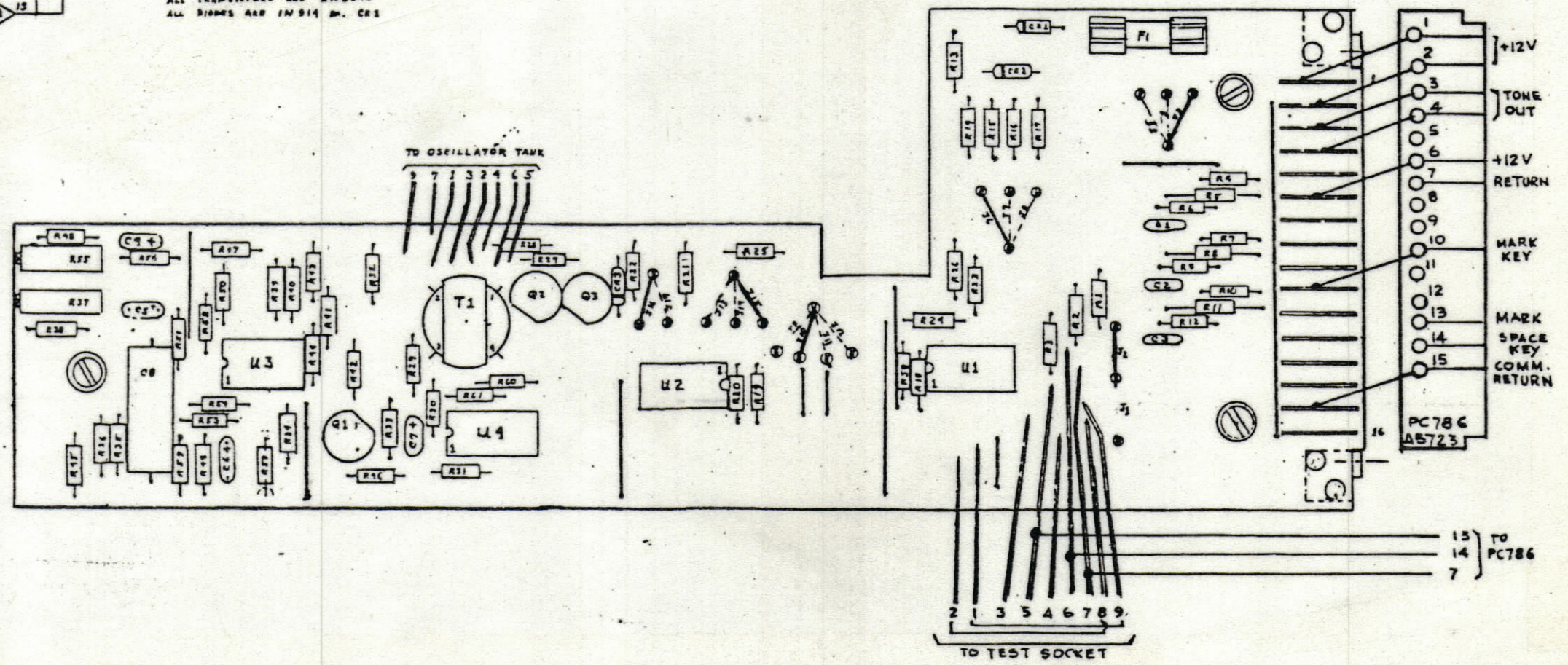


AX5223
(PROGRAMMER)
Z105 - 765 Hz
Z107 - 425 Hz
Z109 - 595 Hz

AX5224
(DECODER)
Z102 - 425 Hz
Z104 - 595 Hz

ALL RESISTORS ARE 1/4W
ALL TRANSISTORS ARE 2N3615
ALL DIMS ARE IN 318 D. CS

USE JUMPERS J2, J6, J6, J10, J15 & J16



REF:
DAQ ELECTRONICS INC
DT 30 FSK

DECODER
PROGRAMMER

QTY	UNIT	MODEL USED ON	ASS'Y NO.
1		AX798-0595 BMA540	AX5224
1		AX798-0425 BMA540	AX5224
1		AX798-0765 BMA539	AX5223
1		AX798-0425 BMA539	AX5223
1		AX798-0595 BMA539	AX5223

UNLESS OTHERWISE SPECIFIED
DIMENSIONS ARE IN INCHES
AND INCLUDE CHEMICALLY APPLIED
OR PLATED FINISHES

TOLERANCES ON

DECIMALS	FRACTIONS
.X ± .05	± 1/64
.XX ± .01	ANGLES
.XXX ± .005	± 0° - 30'

QTY. REQ.	ITEM	PART NO.	DESCRIPTION	SYMBOL
LIST OF MATERIAL				
FINAL APPROVAL		DATE		
MECH. DES.		DATE		
ELECT. DES.		DATE		
CHECKED		DATE		
DRAWN		DATE		
MATERIAL		FINISH		
SIZE	CODE IDENT. NO.	DWG NO.	ISSUE	
C	82679	AX798	φ	
SCALE		SHEET OF		

THE TECHNICAL MATERIEL CORP.
MAMARONECK, NEW YORK

FSK TONE TRANSMITTER
AX798-()

NOTICE TO PERSONS RECEIVING THIS DRAWING
THE TECHNICAL MATERIEL CORPORATION claims proprietary right in the material disclosed hereon. This drawing is issued in confidence for engineering information only and may not be reproduced or used to manufacture anything shown hereon without permission from THE TECHNICAL MATERIEL CORPORATION to the user. This drawing is loaned for mutual assistance and is subject to recall at any time.

AX798