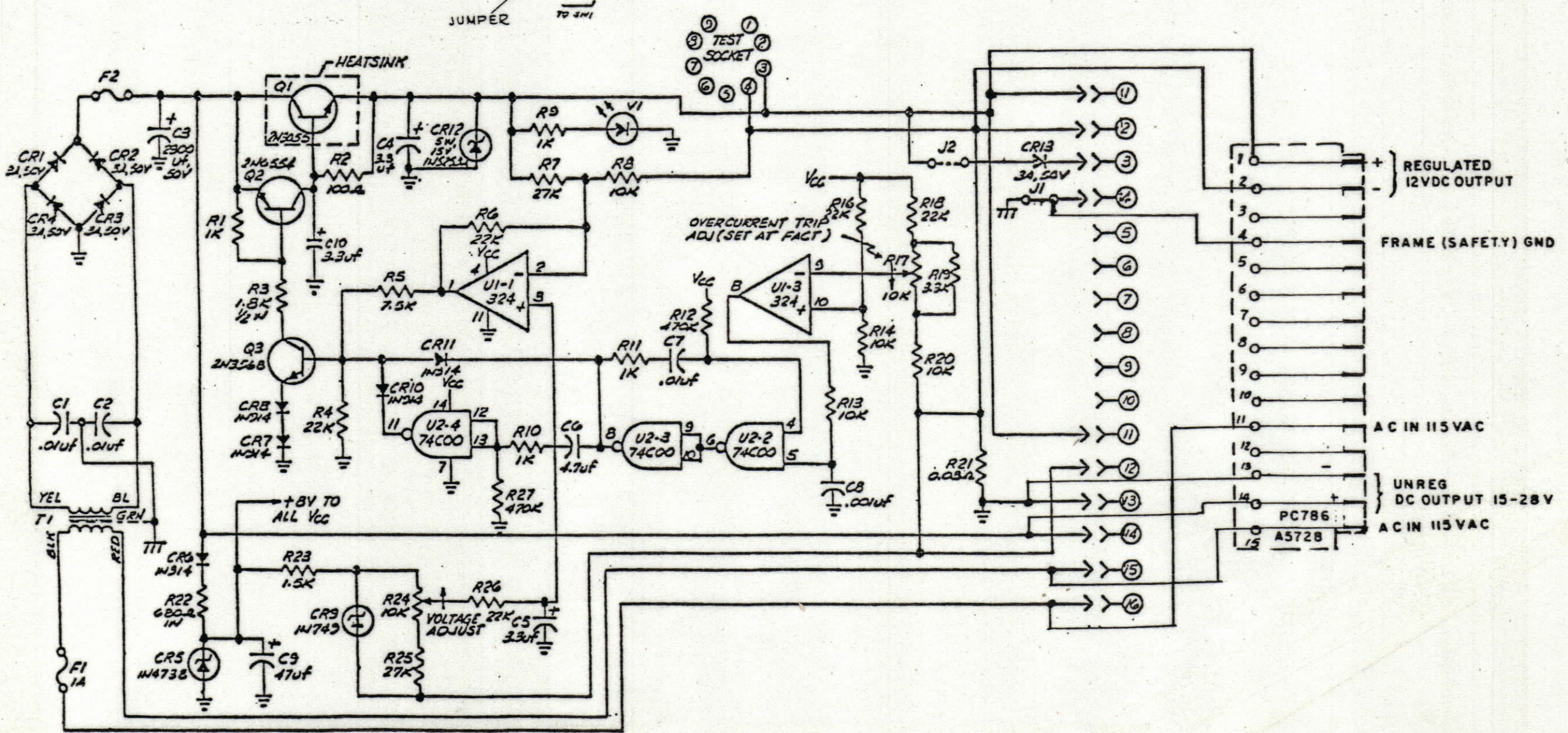
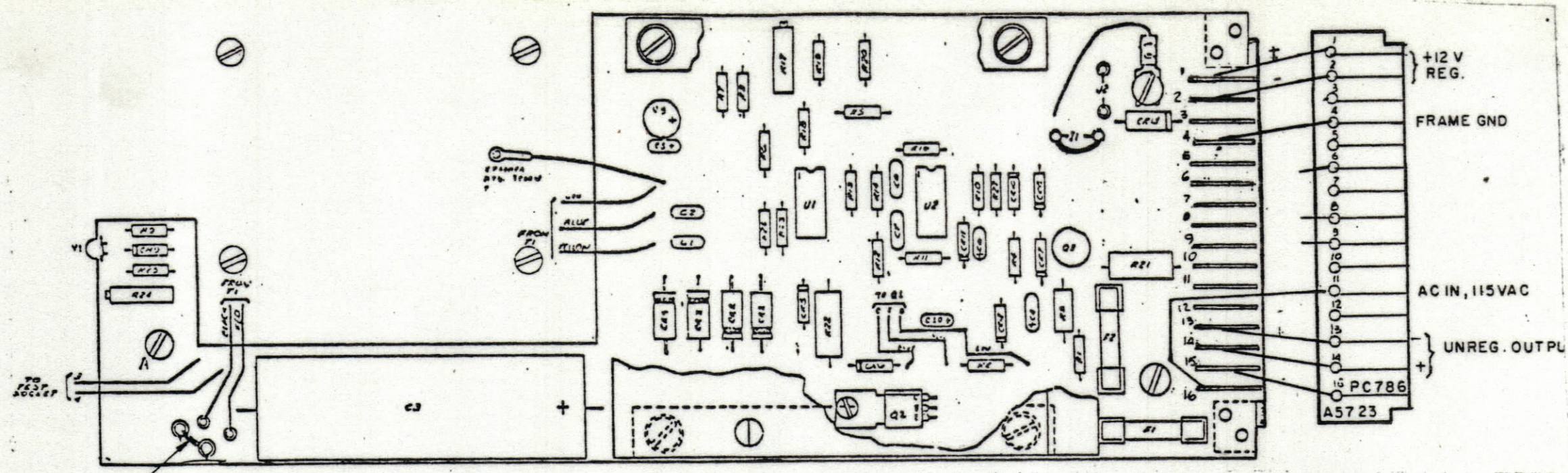


REVISIONS						
ZONE	LTR	DESCRIPTION	DATE	E.M.N.NO	DRAFT	CHKD APPD
		ORIGINAL REI PAGE	7-9-80			



REF: DAQ ELEC INC  
DAQ NO DP115

Z110  
Z110

QTY	MODEL USED ON	ASS'Y NO.
1	AX792 BMA540 (Decod)	AX5224
1	AX792 BMA539 (Prog)	AX5223
APPLICATION		
CODE		
<small>NOTICE TO PERSONS RECEIVING THIS DRAWING</small> <small>THE TECHNICAL MATERIEL CORPORATION claims proprietary right in the material disclosed hereon. This drawing is issued in confidence for engineering information only and may not be reproduced or used to manufacture anything shown hereon without permission from THE TECHNICAL MATERIEL CORPORATION to the user. This drawing is loaned for mutual assistance and is subject to recall at any time.</small>		

UNLESS OTHERWISE SPECIFIED DIMENSIONS ARE IN INCHES AND INCLUDE CHEMICALLY APPLIED OR PLATED FINISHES	
TOLERANCES ON	
DECIMALS	FRACTIONS
.X ± .05	± 1/64
.XX ± .01	ANGLES
.XXX ± .005	± 0° - 30'
MATERIAL	
FINISH	

QTY. REQ.	ITEM	PART NO.	DESCRIPTION	SYMBOL
LIST OF MATERIAL				
FINAL APPROVAL: <i>SAL DG</i> DATE: _____ MECH. DES. DATE: _____ ELECT. DES. DATE: _____ CHECKED DATE: _____ DRAWN: <i>R Uzgo</i> DATE: <i>7-2-80</i>				
<b>THE TECHNICAL MATERIEL CORP.</b> MAMARONECK, NEW YORK  <b>POWER SUPPLY ASS'Y</b> <b>AX792</b>				
SIZE	CODE IDENT. NO.	DWG NO.	ISSUE	
C	82679	AX792	φ	
SCALE			SHEET	OF

AX792