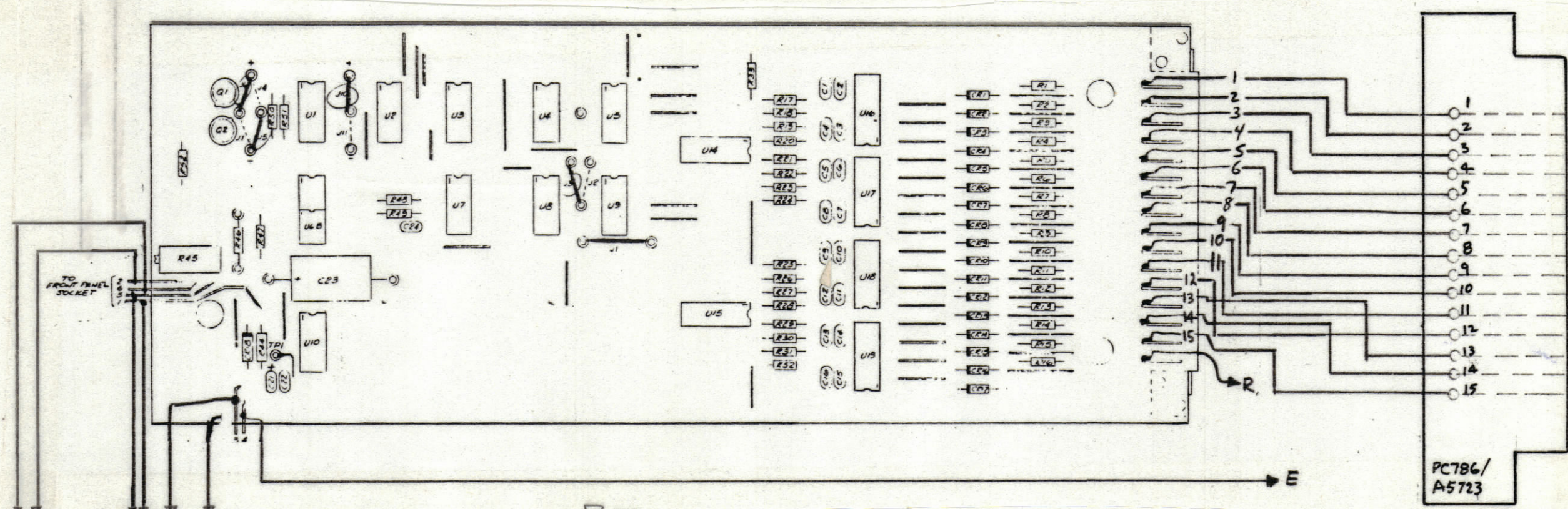


REVISIONS						
ZONE	LTR	DESCRIPTION	DATE	E.M.N.NO	DRAFT	CHKD APPD
		ORIGINAL RELEASE	7-9-80			



REF:
DAQ ELECTRONICS INC
DST-30

QTY.	REQ.	ITEM	PART NO.	DESCRIPTION	SYMBOL
LIST OF MATERIAL					
THE TECHNICAL MATERIEL CORP. MAMARONECK, NEW YORK					
DIGITAL SCANNER TRAYS. AX788					
UNLESS OTHERWISE SPECIFIED DIMENSIONS ARE IN INCHES AND INCLUDE CHEMICALLY APPLIED OR PLATED FINISHES				FINAL APPROVAL SAL DE DATE	
TOLERANCES ON DECIMALS .X ± .05 .XX ± .01 .XXX ± .005				MECH. DES. DATE ELECT. DES. DATE CHECKED DATE DRAWN DATE 7-2-80	
MATERIAL FINISH				SIZE C CODE IDENT.NO. 82679 DWG NO. AX788 ISSUE φ	
NOTICE TO PERSONS RECEIVING THIS DRAWING THE TECHNICAL MATERIEL CORPORATION claims proprietary right in the material disclosed hereon. This drawing is issued in confidence for engineering information only and may not be reproduced or used to manufacture anything shown hereon without permission from THE TECHNICAL MATERIEL CORPORATION to the user. This drawing is loaned for mutual assistance and is subject to recall at any time.				SCALE SHEET OF	

Z101, Z103
Z106, Z108

QTY	UNIT	MODEL USED ON	ASS'Y NO.
2	AX788	BMA-540	AX5224
2	AX788	BMA-539	AX5223

APPLICATION

CODE