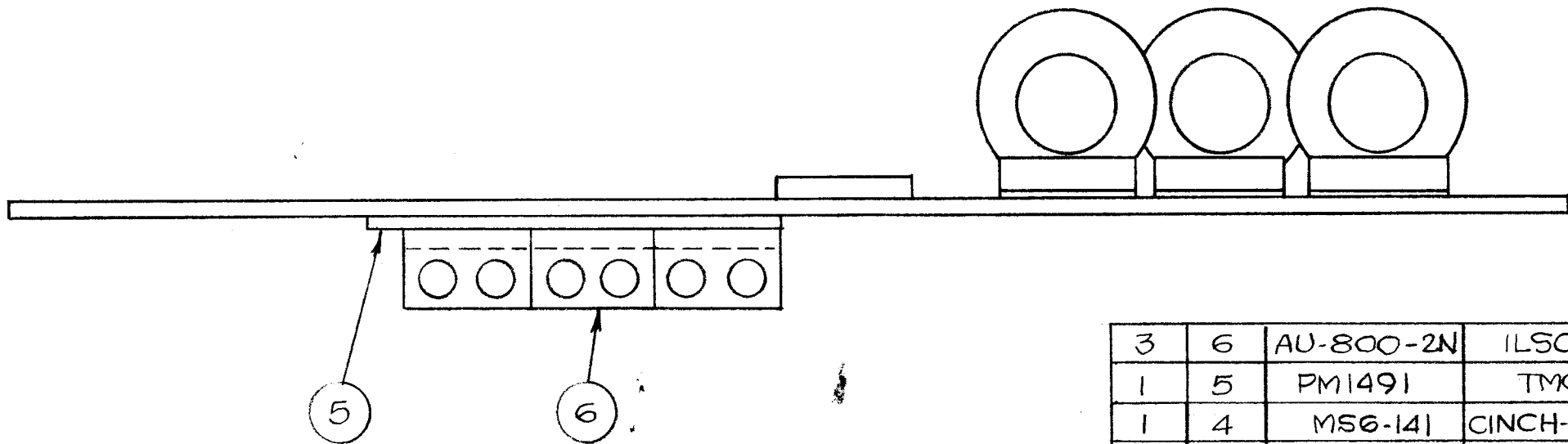
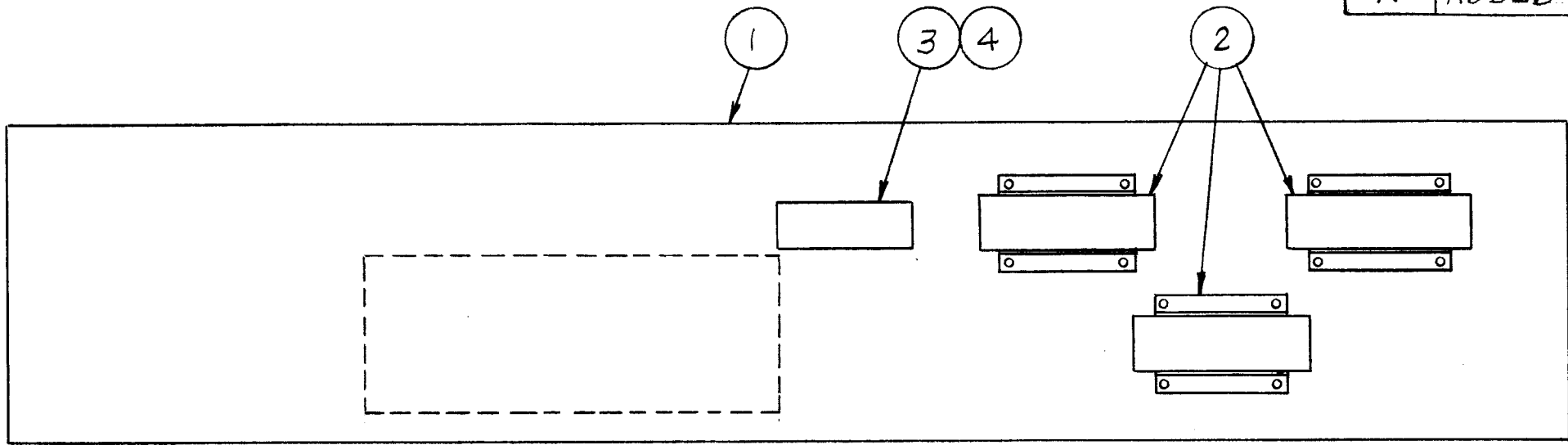


REVISIONS				
LTR	DESCRIPTION	DATE	DRAFT	APPD
A	ADDED NEUTRAL BUS	2/28/73	DMF	



QTY REQ	ITEM	PART NO.	MANUFACTURER	DESCRIPTION	SYM
3	6	AU-800-2N	ILSCO	CABLE LUG	
1	5	PM1491	TMC	NEUTRAL BUS	
1	4	MS6-141	CINCH-JONES	MARKER STRIP	
1	3	6-141	CINCH-JONES	TERMINAL BLOCK	
3	2	7T900	ELECTROMAG.	CURRENT TRANSFORMER, 900:5	CTI-3
1	1	PX1149	TMC	MOUNTING BOARD	

PARTS LIST			
UNLESS OTHERWISE SPECIFIED DIMENSIONS ARE IN INCHES AND INCLUDE CHEMICALLY APPLIED OR PLATED FINISHES REMOVE ALL BURRS AND SHARP EDGES.		DRAWN FERNANDEZ	DATE 2/6/73
		CHECKED	DATE
		D. ENG.	DATE
		P. ENG. ERB	DATE 23 Feb 73
		P. MGR.	DATE
		CHIEF, ENG. DEPT.	DATE
		THE TMC SYSTEMS AND POWER CORPORATION SPRINGFIELD, VIRGINIA	
		CURRENT TRANSFORMER MOUNTING ASSEMBLY	
SIZE	CODE IDENT NO.	DWG. NO.	REV
B	24146	AX733	A
SCALE 1/4		SHEET 1 OF 1	

	AX730
NEXT ASSY	USED ON
APPLICATION	

NOTICE TO PERSONS RECEIVING THIS DRAWING
 THE TMC SYSTEMS AND POWER CORPORATION claims proprietary right in the material disclosed hereon. This drawing is issued in confidence for engineering information only and may not be reproduced or used to manufacture anything shown hereon without permission from THE TMC SYSTEMS AND POWER CORPORATION to the user. This drawing is loaned for mutual assistance and is subject to recall at any time.

J. J. Gault 2/27/73