

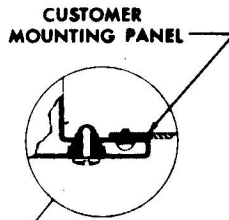
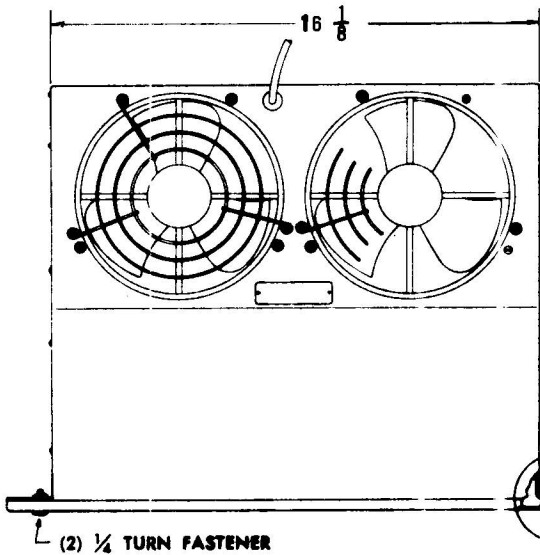
APPLICATION			REVISIONS						
QTY	MODEL USED ON	ASS'Y NO.	LTR	DESCRIPTION	DATE	E.M.N.NO	DRAFT	CHKD	APPD
1	MAS-1/TR		X	EXPERIMENTAL RELEASE	3/14/68		C.V.	<i>[Signature]</i>	<i>[Signature]</i>
			$\emptyset$	ORIGINAL RELEASE	1-2-69		RG		<i>[Signature]</i>

MFGR (TMC CODE NO): S401-19  
 MFGR PART NUMBER: TWINPAX-2  
 MFGR CATALOG NO: L-7000A

**SPECIFICATIONS**

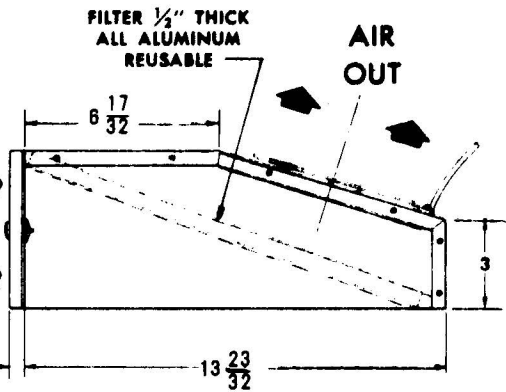
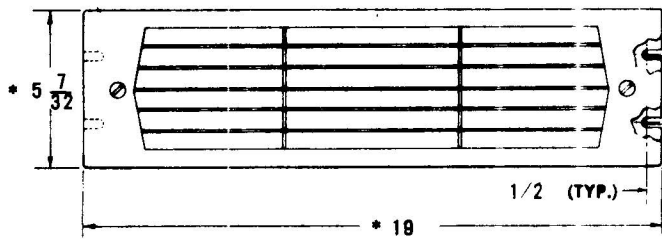
1.9 KW HEAT DISSIPATED WITH 15°F TEMPERATURE RISE  
 400 CFM QUIET ONLY 55dB (SIL)  
 115 VAC, 50/60 CPS, 1-PHASE (CAPACITORS SUPPLIED) 44 WATTS  
 ONLY 5-1/4" PANEL HEIGHT REQUIRED  
 DESIGNED FOR STANDARD 19" EIA RACKS— USES STANDARD EIA NOTCHING

WASHABLE ALUMINUM FILTER



**TOLERANCE**

\*  $\pm \frac{1}{64}$



**PURCHASING NOTE: VENDOR MUST INCLUDE THE FOLLOWING INFORMATION WHEN SHIPPING THIS ITEM TO TMC.**

1. AN OUTLINE DRAWING OR ILLUSTRATION FROM CATALOG SHOWING ALL PERTINENT DIMENSIONS AND TOLERANCES.
2. ELECTRICAL AND/OR MECHANICAL SPECIFICATIONS AS SHOWN IN THEIR CATALOGS.

UNLESS OTHERWISE SPECIFIED DIMENSIONS ARE IN INCHES AND INCLUDE CHEMICALLY APPLIED OR PLATED FINISHES		REQ'D	ITEM	PART NUMBER	DESCRIPTION	SYM.			
DECIMALS .X $\pm$ .05 .XX $\pm$ .01 .XXX $\pm$ .005	FRACTIONS 1/64 ANGLES 0°-30°	<b>LIST OF MATERIAL</b>							
MATERIAL		FINAL APPROVAL	<i>[Signature]</i>	DATE	<b>THE TECHNICAL MATERIEL CORP.</b> MAMARONECK, NEW YORK  <b>FAN ASSEMBLY, CABINET COOLING</b>				
FINISH		MECH. DES.	<i>[Signature]</i>	DATE					
		ELECT. DES.	<i>[Signature]</i>	DATE					
		CHECKED	<i>[Signature]</i>	DATE					
		DRAWN	<i>[Signature]</i>	DATE					
NOTICE TO PERSONS RECEIVING THIS DRAWING THE TECHNICAL MATERIEL CORPORATION claims proprietary right in the material disclosed hereon. This drawing is issued in confidence for engineering information only and may not be reproduced or used to manufacture anything shown hereon without permission from THE TECHNICAL MATERIEL CORPORATION to the user. This drawing is loaned for mutual assistance and is subject to recall at any time.		SIZE	A	CODE IDENT. NO.	82679	DWG NO.	AX 698	ISSUE	<i>[Signature]</i>
SCALE			SHEET			OF			