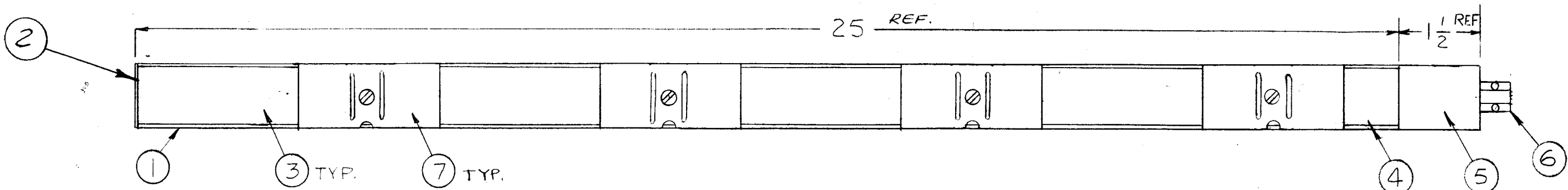
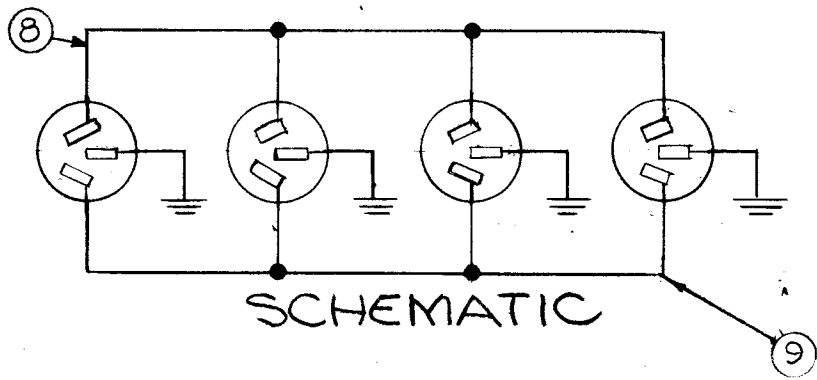
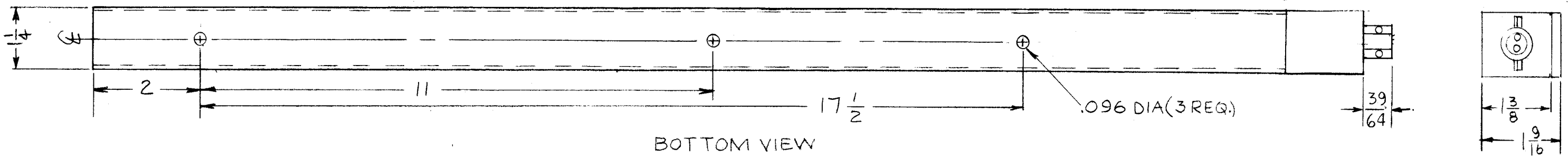


REVISIONS						
ZONE	LTR	DESCRIPTION	DATE	E.M.N.NO	DRAFT	CHKD APPD
	X	EXP. RELEASE	11-13-67		<i>[Signature]</i>	<i>[Signature]</i>
	Ø	ORIGINAL RELEASE	9/25/69		<i>[Signature]</i>	

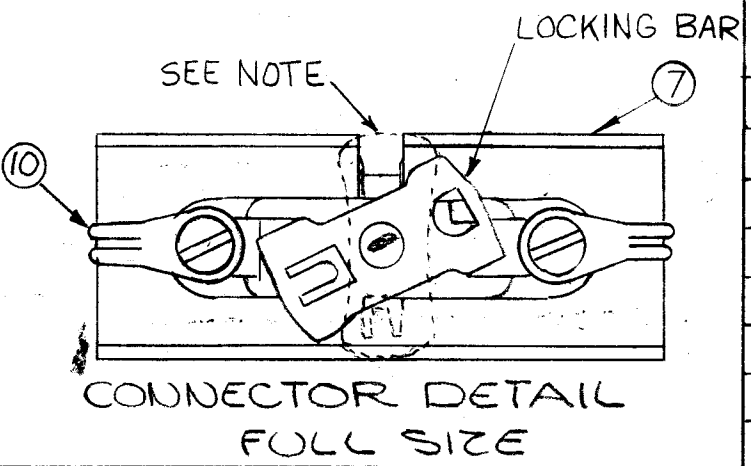
TOP VIEW



BOTTOM VIEW



SCHMATIC



CONNECTOR DETAIL FULL SIZE

REQ'D	ITEM	PART NUMBER	DESCRIPTION	SYM.
12	10	TE155-34168	TERM, LUG INS.	
X	9	MWC14(19)U9	WIRE, ELEC INS.	
X	8	MWC14(19)U0	WIRE, ELEC INS.	
4	7	JJ294-1	CONN, RECEPTACLE, AC	
1	6	CU113	BOX, CONN, ELEC	
1	5	PO162	CONDUIT OUTLET	
1	4	PO163-1.000	CONDUIT OUTLET	
4	3	PO163-3.000	COVER, CND	
1	2	PO161	END FTG, BLANK	
1	1	MS5257	CHANNEL, STRIP AC	

M. STURMER LIST OF MATERIAL

NOTE:
GROUNDING CIRCUIT IS COMPLETED TO STRIP CHANNEL, WHEN LOCKING BAR IS ROTATED AS SHOWN (ITEM 7)

1	RAK-75-6B	
1	RAK-75-6A	
QTY / UNIT	MODEL USED ON	ASS'Y NO.
APPLICATION		
	CODE A	5901-451
NOTICE TO PERSONS RECEIVING THIS DRAWING THE TECHNICAL MATERIEL CORPORATION claims proprietary right in the material disclosed hereon. This drawing is issued in confidence for engineering information only and may not be reproduced or used to manufacture anything shown hereon without permission from THE TECHNICAL MATERIEL CORPORATION to the user. This drawing is loaned for mutual assistance and is subject to recall at any time.		
MATERIAL FINISH		

UNLESS OTHERWISE SPECIFIED DIMENSIONS ARE IN INCHES AND INCLUDE CHEMICALLY APPLIED OR PLATED FINISHES	FINAL APPROVAL <i>[Signature]</i> DATE 9/25/69
MECH. DES.	DATE
ELECT. DES.	DATE
CHECKED	DATE
DRAWN <i>[Signature]</i>	DATE

THE TECHNICAL MATERIEL CORP. MAMARONECK, NEW YORK			
AC POWER STRIP ASSY			
SIZE B	CODE IDENT. NO. 82679	DWG NO. AX 697	ISSUE Ø
SCALE —	SHEET OF		