

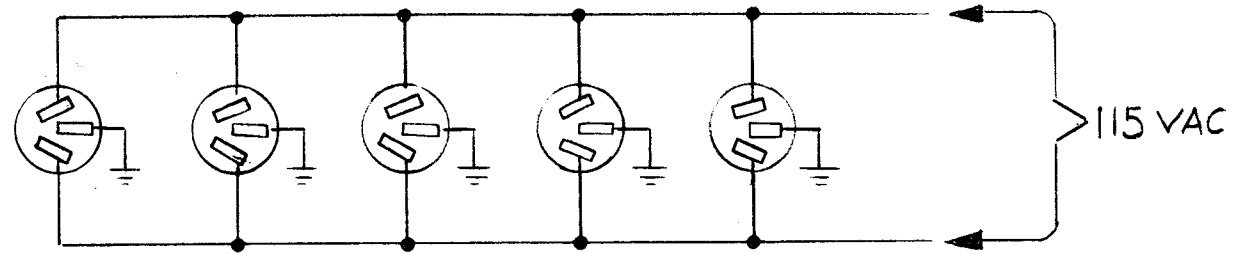
5

4

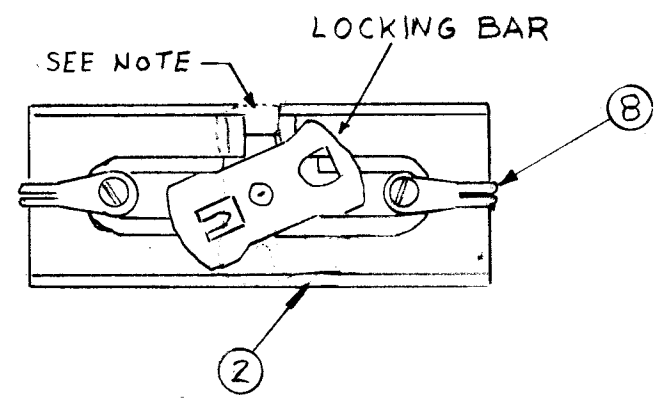
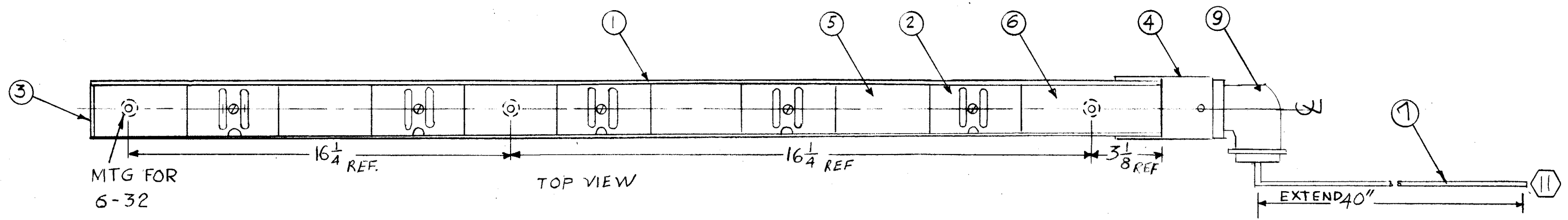
3

2

1



REVISIONS						
ZONE	LTR	DESCRIPTION	DATE	E.M.N.NO	DRAFT	CHKD APPD
	X	EXP. RELEASE	9/1/67			H.G.
	Ø	ORIG. RELEASE FOR PROD	11-29-67	Ø		R.G.



NOTE:
GROUNDING CIRCUIT IS COMPLETED TO STRIP CHANNEL, WHEN LOCKING BAR IS ROTATED AS SHOWN (ITEM 2)

REQ'D	ITEM	PART NUMBER	DESCRIPTION	SYM.
3	11	TE159-34161	TERM LUG, INS	
X	10	BS100	SOLDER, TIN ALLOY	
1	9	CU110	BOX CONN, ELEC	
10	8	TE155-34168	TERM LUG, INS	
X	7	WI142-12	CBL, PWR, SHLD/JKT	
1	6	PO163-6.250	COVER, CND	
5	5	PO163-3.000	COVER, CND	
1	4	PO162	CONDUIT, OUTLET	
1	3	PO161	END FTG, BLANK	
5	2	JJ294-1	CONN RECP FML, AC	
1	1	MS1754	CND, AC STRIP	

M. STURMER LIST OF MATERIAL AX-111214-25

THE TECHNICAL MATERIEL CORP.
MAMARONECK, NEW YORK

AC POWER STRIP ASSY

SIZE	CODE IDENT. NO.	DWG NO.	ISSUE
B	82679	AX 678	Ø
SCALE	SHEET		OF

1	RAK 75-4	
QTY / UNIT	MODEL USED ON	ASS'Y NO.
APPLICATION		
	CODE	S401-451
	A	

NOTICE TO PERSONS RECEIVING THIS DRAWING
THE TECHNICAL MATERIEL CORPORATION claims proprietary right in the material disclosed hereon. This drawing is issued in confidence for engineering information only and may not be reproduced or used to manufacture anything shown hereon without permission from THE TECHNICAL MATERIEL CORPORATION to the user. This drawing is loaned for mutual assistance and is subject to recall at any time.

UNLESS OTHERWISE SPECIFIED DIMENSIONS ARE IN INCHES AND INCLUDE CHEMICALLY APPLIED OR PLATED FINISHES

DECIMALS	FRACTIONS
.X ± .05	1/64
.XX ± .01	TOLS. ANGLES
.XXX ± .005	0° .30'

MATERIAL

FINISH

FINAL APPROVAL *[Signature]* DATE 11/29/67

MECH. DES. DATE

ELECT. DES. *[Signature]* DATE 11/21/67

CHECKED *[Signature]* DATE 11-22-67

DRAWN H.G. DATE 9/7/67