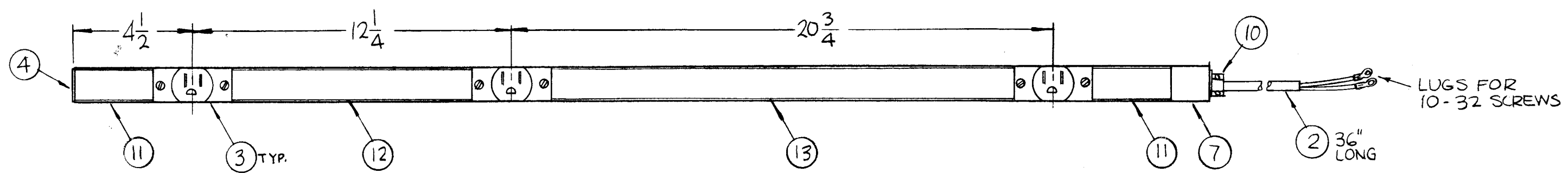
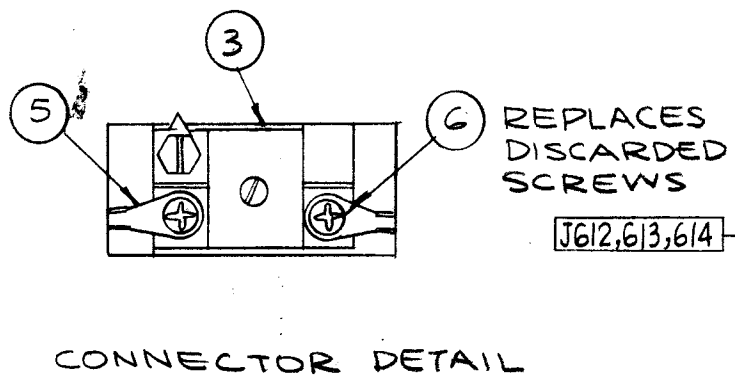
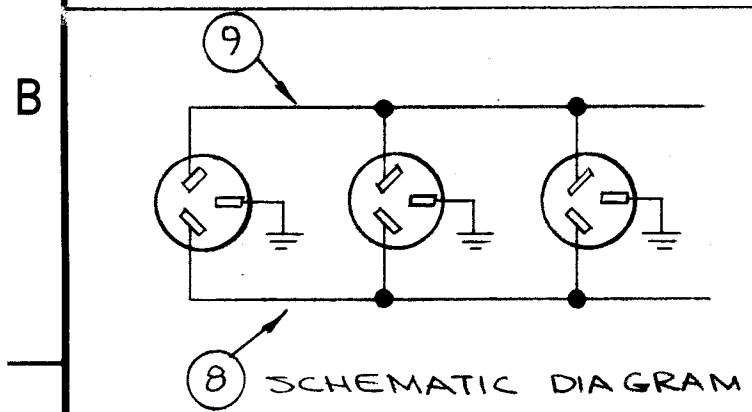
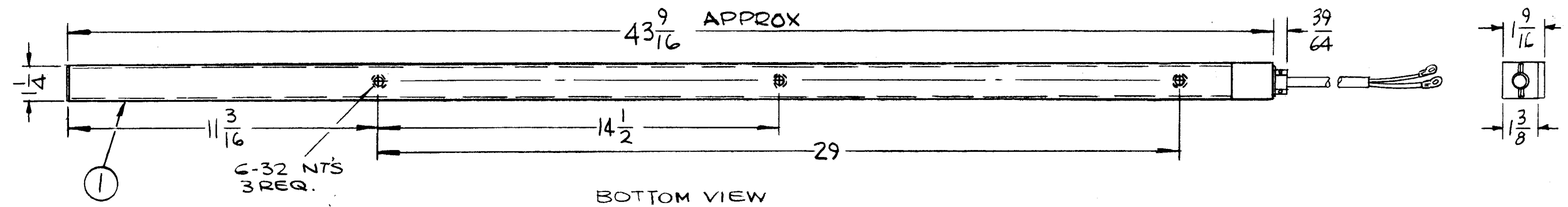


REVISIONS						
ZONE	LTR	DESCRIPTION	DATE	E.M.N.NO	DRAFT	CHKD APPD
	X	EXP. RELEASE	4-10-67			
	Ø	ORIG RELEASE FOR PROD.	4-14-67		RG	

TOP VIEW



BOTTOM VIEW



REQ'D	ITEM	PART NUMBER	DESCRIPTION	SYM.
X	14	BS100	SOLDER, TIN ALLOY	
1	13	PO163-17.750	COVER, CND	
1	12	PO163-9.250	COVER, CND	
2	11	PO163-3.000	COVER, CND	
1	10	CU113	BOX, CONN, ELEC	
	9	MWC14(19)U0	WIRE, ELEC, INS	BLK
	8	MWC14(19)U9	WIRE, ELEC, INS	WHT
1	7	PO162	CONDUIT OUTLET	
6	6	SCBP0832BN4	SCREW, MACHINE	
6	5	TE112-3	TERM, LUG LKG	
1	4	PO161	END FTG, BLANK	
3	3	JJ337	CONN, RECP, ELEC	
1	2	CA588-1	CBL ASSY, PWR, AC	
1	1	MS1891	CND, AC STRIP	

F. BUDETTI LIST OF MATERIAL

NOTE: THIS DRAWING REPLACES AX197 (A1772)

1	RAK-9	
QTY / UNIT	MODEL USED ON	ASS'Y NO.
APPLICATION		
5401-451	CODE A	

NOTICE TO PERSONS RECEIVING THIS DRAWING
 THE TECHNICAL MATERIEL CORPORATION claims proprietary right in the material disclosed hereon. This drawing is issued in confidence for engineering information only and may not be reproduced or used to manufacture anything shown hereon without permission from THE TECHNICAL MATERIEL CORPORATION to the user. This drawing is loaned for mutual assistance and is subject to recall at any time.

UNLESS OTHERWISE SPECIFIED DIMENSIONS ARE IN INCHES AND INCLUDE CHEMICALLY APPLIED OR PLATED FINISHES		FINAL APPROV. <i>[Signature]</i>	DATE 4/14/67
DECIMALS .X ± .05 .XX ± .01 .XXX ± .005	FRACTIONS 1/64 ANGLES 0° .30'	ELECT. DES. <i>[Signature]</i>	DATE 4/10/67
MATERIAL		CHECKED <i>[Signature]</i>	DATE
FINISH S115-GREY ENAMEL		DRAWN <i>[Signature]</i>	DATE 4-10-67

THE TECHNICAL MATERIEL CORP. MAMARONECK, NEW YORK			
AC POWER STRIP ASSY			
SIZE B	CODE IDENT. NO. 82679	DWG NO. AX670	ISSUE Ø
SCALE 1:4	SHEET OF		