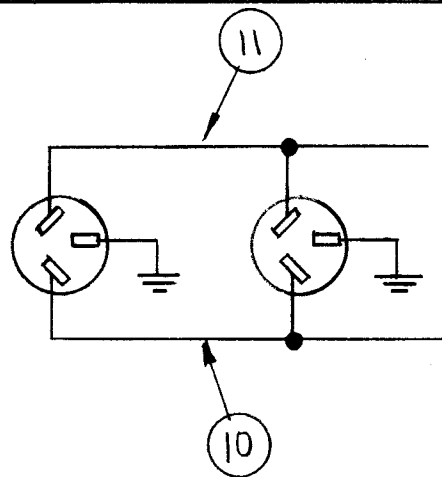
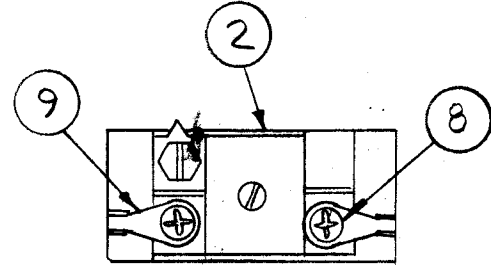


REVISIONS						
ZONE	LTR	DESCRIPTION	DATE	E.M.N.NO	DRAFT	CHKD APPD
	X	EXP. RELEASE	4-10-67			
	Ø	ORIG RELEASE FOR PROD.	4-14-67		RG	

X	13	BS100	SOLDER, TIN ALLOY	
I	12	P0163-18.125	COVER, CND	
X	11	MWC14(19)U0	WIRE, ELEC, INS	BLK
X	10	MWC14(19)U9	WIRE, ELEC, INS	WHT
4	9	TE112-3	TERM LUG LKG	
4	8	SCBP0832BN4	SCREW, MACHINE	
I	7	CA588-1	CBL ASSY, PWR, AC	
I	6	CUI13	BOX, CONN ELEC	
I	5	P0163-3.000	COVER, CND	
I	4	P0162	CONDUIT, OUTLET	
I	3	P0161	END FTG, BLANK	
2	2	JJ337	CONN RECP ELEC	J612,613
I	1	MS2499	CND, AC STRIP	
REQ'D ITEM	PART NUMBER		DESCRIPTION	SYM.



SCHEMATIC DIAGRAM



CONNECTOR DETAIL

NOTE:
THIS DRAWING REPLACES
AX245 (A2043)

1	RAK-17A	
QTY / UNIT	MODEL USED ON	ASS'Y NO.
APPLICATION		
5401-451	CODE A	

NOTICE TO PERSONS RECEIVING THIS DRAWING
 THE TECHNICAL MATERIEL CORPORATION claims proprietary right in the material disclosed hereon. This drawing is issued in confidence for engineering information only and may not be reproduced or used to manufacture anything shown hereon without permission from THE TECHNICAL MATERIEL CORPORATION to the user. This drawing is loaned for mutual assistance and is subject to recall at any time.

UNLESS OTHERWISE SPECIFIED
 DIMENSIONS ARE IN INCHES
 AND INCLUDE CHEMICALLY APPLIED
 OR PLATED FINISHES

DECIMALS	FRACTIONS
.X ± .05	1/64
.XX ± .01	TOLS. ANGLES
.XXX ± .005	0° -30'

MATERIAL
 FINISH
 S115 GREY ENAMEL

F. BUDETTI
 MECH. DES.
 ELECT. DES.
 CHECKED
 DRAWN

LIST OF MATERIAL
 THE TECHNICAL MATERIEL CORP.
 MAMARONECK, NEW YORK

AC POWER STRIP ASS'Y

SIZE	CODE IDENT. NO.	DWG NO.	ISSUE
B	82679	AX669	Ø
SCALE 1:4		M/L	SHEET OF