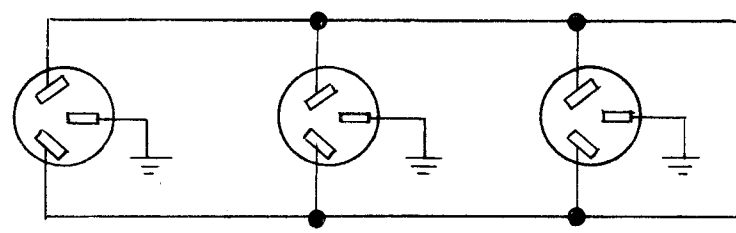
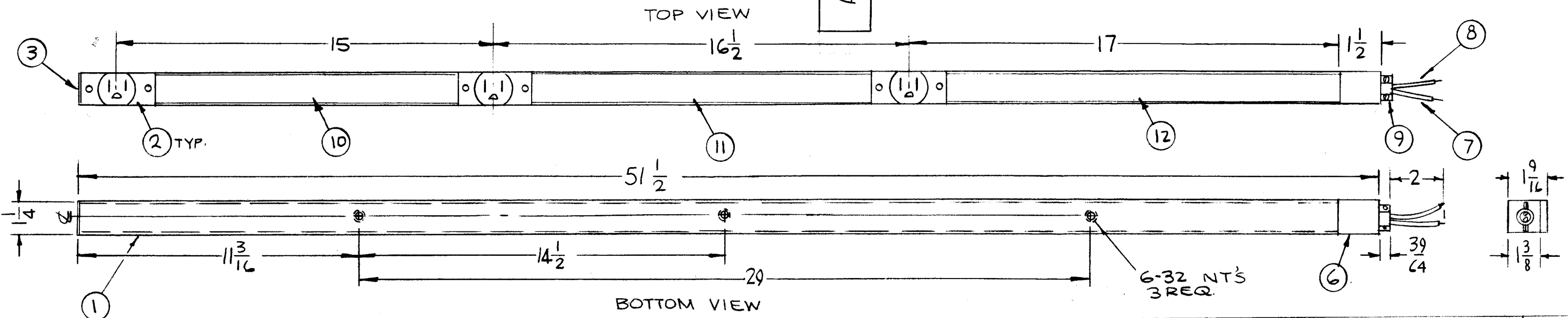
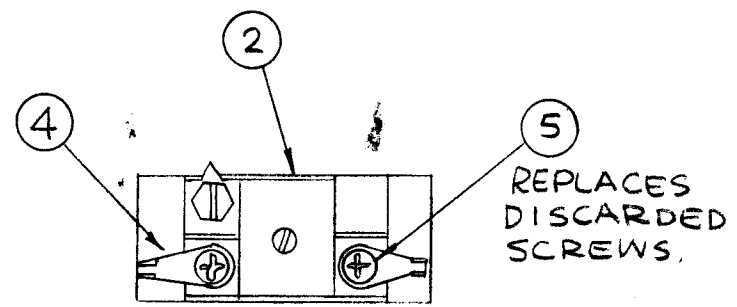


REVISIONS					
SYM	DESCRIPTION	DATE	E.M.N. NO.	DRAFT	CHKD. APPD.
X	EXP. RELEASE	4-6-67			
Ø	ORIGINAL RELEASE FOR PRODUCTION	4-12-67		R.G.	

AX666



SCHEMATIC - DIAGRAM



CONNECTOR - DETAIL

REQ'D.	ITEM	PART NUMBER	DESCRIPTION	SYMBOL
X	13	BS100	SOLDER, TIN ALLOY	
1	12	P0163-15.500	COVER, CND	
1	11	P0163-13.500	COVER, CND	
1	10	P0163-12.000	COVER, CND	
1	9	CU113	BOX CONN, ELEC	
	8	MWC14(19)U9	WIRE, ELEC, INS	
	7	MWC14(19)U9	WIRE, ELEC, INS	
1	6	P0162	CONDUIT, OUTLET	
6	5	SCBP0832BN4	SCREW, MACHINE	
6	4	TE112-3	TERM, LUG-LKG	
1	3	P0161	END FTG, BLANK	
3	2	JJ337	CONN RECP ELECTRICAL	
1	1	MS2819	CND, AC STRIP	

F. BUDETTI LIST OF MATERIAL

MATERIAL		THE TECHNICAL MATERIEL CORP. MAMARONECK, NEW YORK			
FINISH		TITLE			
SI15 GREY ENAMEL		AC POWER STRIP ASSY			
UNLESS OTHERWISE SPECIFIED DIMENSIONS ARE IN INCHES AND INCLUDE CHEMICALLY APPLIED OR PLATED FINISHES		DRAWN	DATE	FINAL APPROVAL	DATE
		CHECKED	DATE		4/12/67
		ELECT. DES.	DATE	AX666	Ø
		MECH. DES.	DATE		
		SHEET		REV. LTR.	

NOTE:
THIS DRAWING REPLACES
AX 340(A2291)

NOTES

1	RAK-96	
Q'TY./UNIT	MODEL USED ON	ASSY. NO.
SCALE 1:4	CODE A	S401-451

THE CONTENTS OF THIS DRAWING ARE THE EXCLUSIVE PROPERTY OF THE TECHNICAL MATERIEL CORP. ITS UNAUTHORIZED USE OR REPRODUCTION IN WHOLE OR IN PART IS STRICTLY FORBIDDEN.

DECIMALS	FRACTIONS
.X ± .05	± 1/64
.XX ± .01	ANGLES
.XXX ± .005	± 0° 30'

TOLERANCES