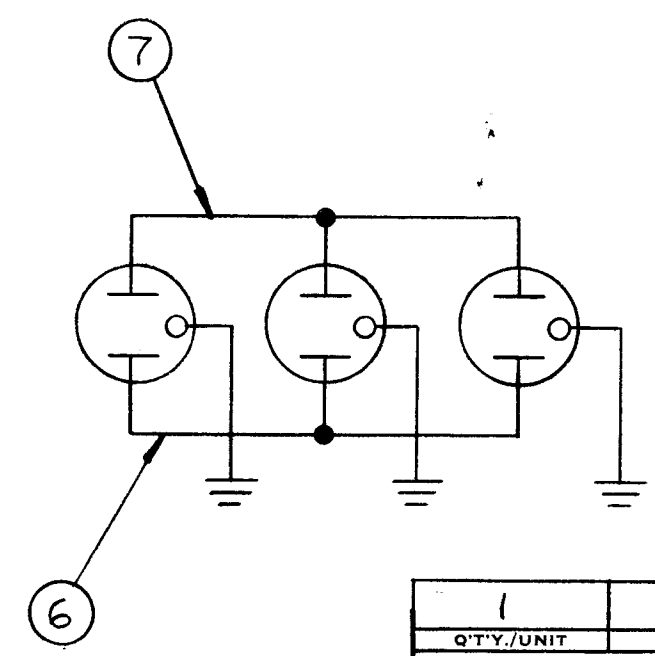
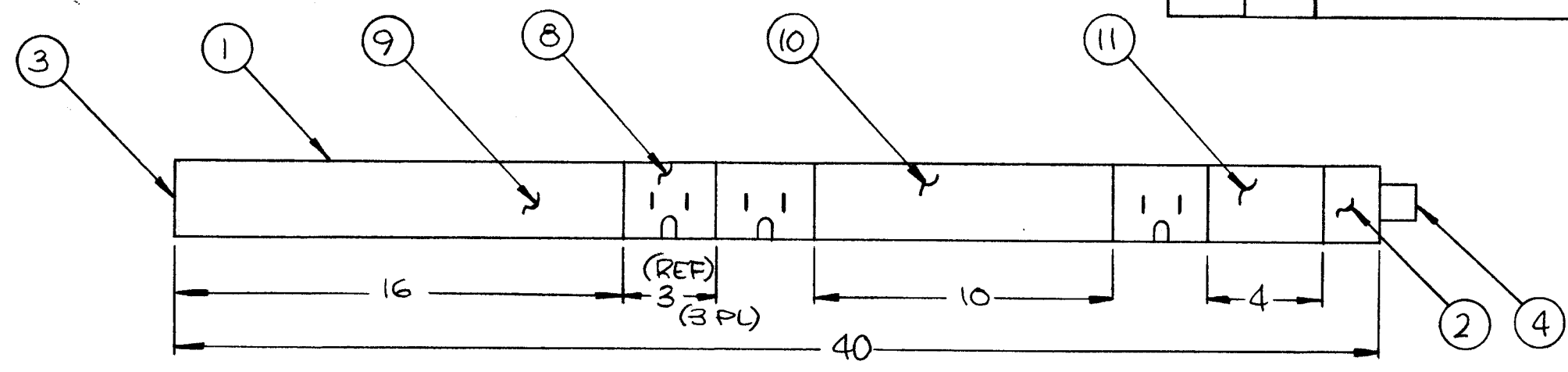


REVISIONS						
SYM	DESCRIPTION	DATE	E.M.N. NO.	DRAFT	CHKD	APPD
Ø	ORIGINAL RELEASE FOR PRODUCTION	1-30-67		L.R.K.		

AX656



REQ'D.	ITEM	PART NUMBER	DESCRIPTION	SYMBOL
1	11	PO163-4.000	COVER, CONNECTOR STRIP	
1	10	PO163-10.000	COVER, CONNECTOR STRIP	
1	9	PO163-16.000	COVER, CONNECTOR STRIP	
3	8	JJ294-1	RECEPTACLE, GROUNDING	
X	7	MWC12(19)U0	WIRE, ELEC, INS	
X	6	MWC12(19)U90	WIRE, ELECT, INS	
10	5	TE155-34168	TERMINAL, LUG	
1	4	CU113	CONN, ARMORED CABLE	
1	3	PO161	FITTING, END, BLANK	
1	2	PO162	FITTING, END, CABLE ENTRY	
1	1	MS4144	CHANNEL, STRIP, AC	

STURMER LIST OF MATERIAL			
MATERIAL		THE TECHNICAL MATERIEL CORP. MAMARONECK, NEW YORK	
FINISH		TITLE ASSY, STRIP, AC	
UNLESS OTHERWISE SPECIFIED DIMENSIONS ARE IN INCHES AND INCLUDE CHEMICALLY APPLIED OR PLATED FINISHES		DRAWN L.H.W.	DATE 12/19/66
DECIMALS .X ± .05 .XX ± .01 .XXX ± .005		CHECKED J.S.	DATE 1/11/67
FRACTIONS ± 1/64 ANGLES ± 0° 30'		ELECT. DES. J.S.	DATE 1/11/67
TOLERANCES		MECH. DES. J.S.	DATE 1/11/67
THE CONTENTS OF THIS DRAWING ARE THE EXCLUSIVE PROPERTY OF THE TECHNICAL MATERIEL CORP. ITS UNAUTHORIZED USE OR REPRODUCTION IN WHOLE OR IN PART IS STRICTLY FORBIDDEN.		FINAL APPROVAL L.R.K. AX656	
NOTES		DATE 1/30/67	
Q'TY./UNIT		REV. LTR.	
MODEL USED ON		SHEET	
ASS'Y. NO.		REV. LTR.	
SCALE		SHEET	
CODE		REV. LTR.	