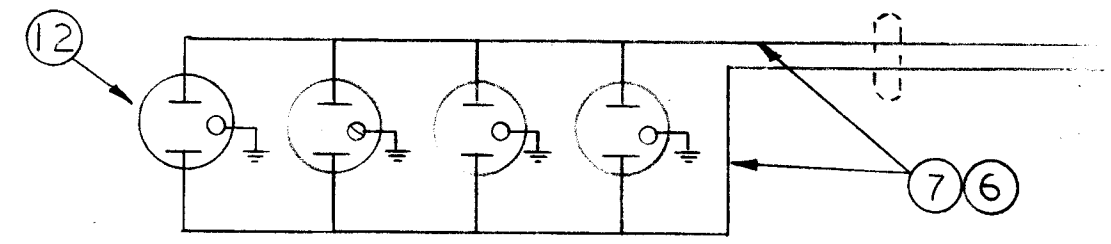
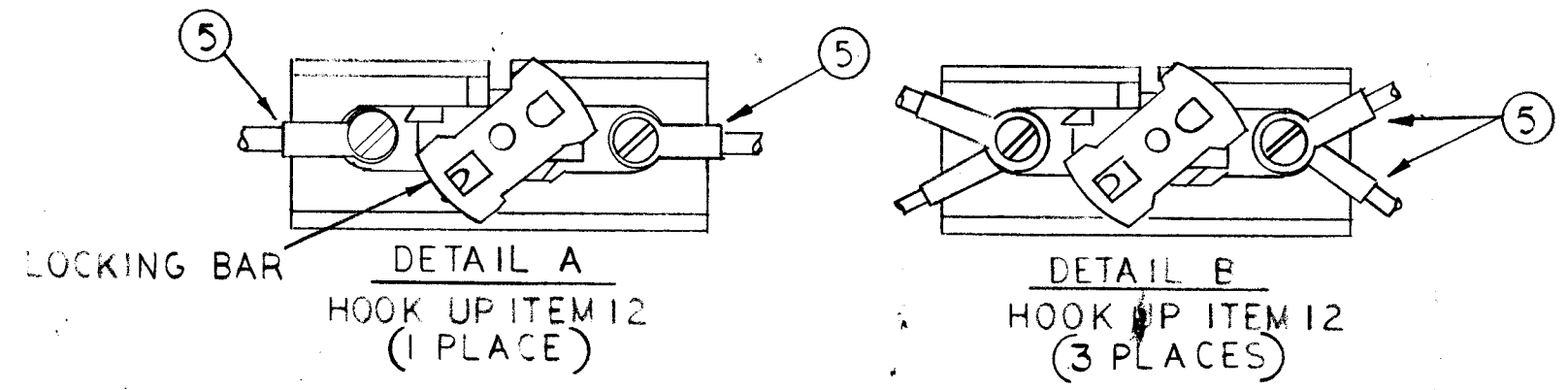
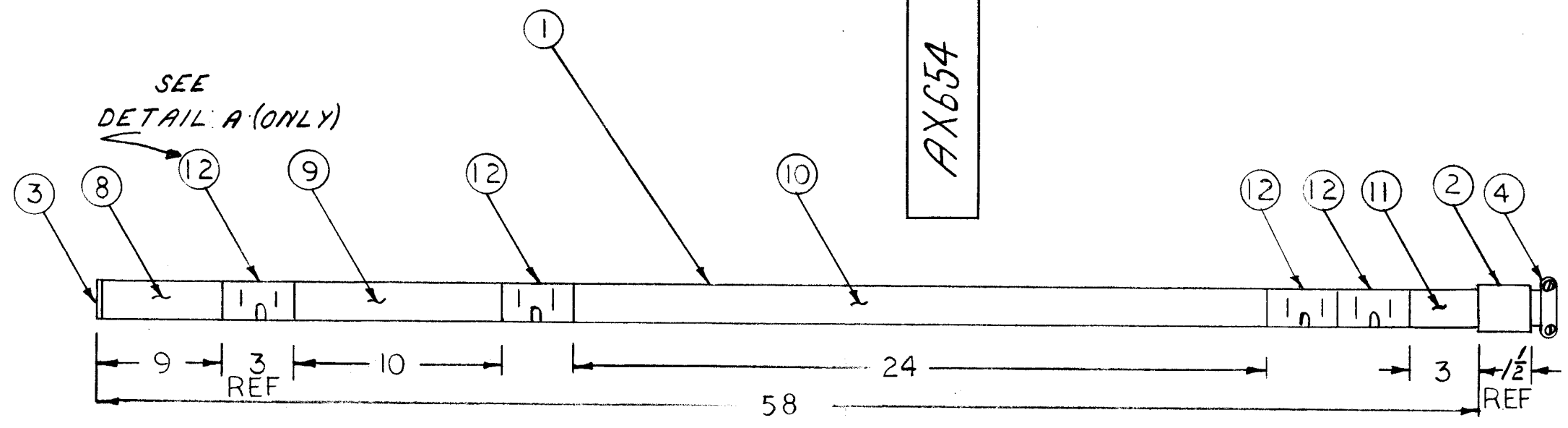


AX654

REVISIONS

SYM	DESCRIPTION	DATE	E.M.N. NO.	DRAFT	CHKD	APPD
Ø	ORIGINAL RELEASE FOR PRODUCTION	1-30-67		L.P.K.		



SCHEMATIC DIAGRAM

REQ'D.	ITEM	PART NUMBER	DESCRIPTION	SYMBOL
4	12	JJ 294-1	RECEPTACLE	
1	11	PO 163-3000	COVER CONNECTOR STRIP	
1	10	PO 163-24,000		
1	9	PO 163-10,000		
1	8	PO 163-9,000	COVER CONNECTOR STRIP	
	7	MWC14(19)U0	WIRE ELECTRICAL INSULATED	
	6	MWC14(19)U9	WIRE ELECTRICAL INSULATED	
14	5	TE-155-34168	TERMINAL LUG	
1	4	CU 113	CLAMP	
1	3	PO 161	FITTING, END BLANK	
1	2	PO 162	FITTING, END, CABLE ENTRY	
1	1	MS-3663	CHANNEL, STRIP A.C.	

LIST OF MATERIAL

MATERIAL		THE TECHNICAL MATERIEL CORP. MAMARONECK, NEW YORK			
FINISH		TITLE STRIP ASSEMBLY AC POWER			
UNLESS OTHERWISE SPECIFIED DIMENSIONS ARE IN INCHES AND INCLUDE CHEMICALLY APPLIED OR PLATED FINISHES		DRAWN G.F.	DATE 1/17/66	FINAL APPROVAL <i>[Signature]</i>	DATE 1/17/67
DECIMALS .X ± .05 .XX ± .01 .XXX ± .005		CHECKED <i>[Signature]</i>	DATE 1-17-67	SHEET AX654	
FRACTIONS ± 1/64 ANGLES ± 0° 30'		ELECT. DES. <i>[Signature]</i>	DATE 1/17/66	REV. LTR. Ø	
TOLERANCES		MECH. DES.	DATE	SHEET	

RAK-12 J		
Q'TY./UNIT	MODEL USED ON	ASS'Y. NO.
SCALE	CODE	

THE CONTENTS OF THIS DRAWING ARE THE EXCLUSIVE PROPERTY OF THE TECHNICAL MATERIEL CORP. ITS UNAUTHORIZED USE OR REPRODUCTION IN WHOLE OR IN PART IS STRICTLY FORBIDDEN.

NOTES