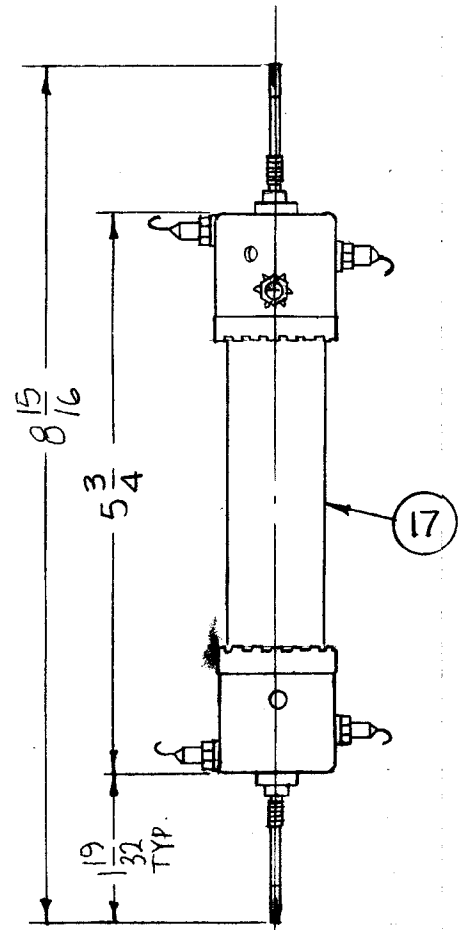
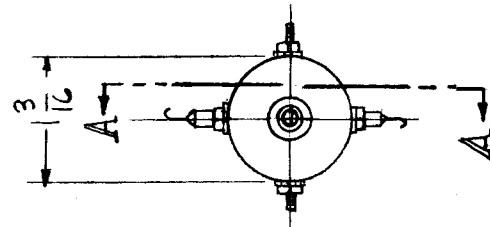


VIEW A-A

NOTES



C
AX649

REVISIONS

SYM	DESCRIPTION	DATE	E.M.N. NO.	DRAFT	CHKD	APPD
A	REDRAWN & REVISED FROM A 2 SIZE	12.5.66	17376	WPD	[Signature]	[Signature]
B	REVISED & UPDATED	3-9-67	17946	RME	[Signature]	[Signature]
C	P/N CHG IT. 6 WAS IN 277	8-24-72	20838	GE	[Signature]	[Signature]

REQ'D.	ITEM	PART NUMBER	DESCRIPTION	SYMBOL
2	18	LWE02MRN	WASHER, LOCK, EXT	
1	17	RR122-0.6	RES. FIXED. FILM-GL	R301
4	16	LWI25MRN	WASHER, LOCK, INT	
2	15	CK70A751M	CAP. FIXED; CERAMIC	C301 & 4
2	14	TE117-25	SPACER, SLV	
X	13	BS100	SOLDER, TIN ALLOY	
	12	DELETED		
15 3/4	11	PX370-16-7	INS, SLVG, ELEC	
13 1/2	10	WL100-7	WIRE, ELEC, BUSS	
2	9	NTH0256BN6	NUT, PLAIN HEX	
2	8	TE115-1	TERM, STUD, INS	
2	7	TE113-120	TERM, LUG	
2	6	1N485	DIODE, SEMICONDUCTOR	CR301 & 2
2	5	CL140-1	COIL, RF, FIXED	L301 & 3
2	4	CK70A102M	CAP. FIXED CERAMIC	C303 & 6
2	3	IM178-1.12	INSULATION	
2	2	A1795	CAN & CONTACT ASSY	
	1	DELETED		

R. HAY LIST OF MATERIAL

MATERIAL:

FINISH:

TITLE: **THE TECHNICAL MATERIEL CORP.**
MAMARONECK, NEW YORK

COUPLER ASSY

UNLESS OTHERWISE SPECIFIED DIMENSIONS ARE IN INCHES AND INCLUDE CHEMICALLY APPLIED OR PLATED FINISHES	DRAWN:	DATE: 11-14-66	FINAL APPROVAL:	DATE: 11/15/66
DECIMALS .X ± .05 .XX ± .01 .XXX ± .005	FRACTIONS ± 1/64 ± 0° 30'	CHECKED:	DATE: 11-15-66	
TOLERANCES		ELECT. DES.	DATE	
		MECH. DES.	DATE	

AX649

SHEET: [Blank]

REV. LDR. [Signature]

1	KIT 283	
Q'TY./UNIT	MODEL USED ON	ASS'Y. NO.
SCALE:	CODE: A	

THE CONTENTS OF THIS DRAWING ARE THE EXCLUSIVE PROPERTY OF THE TECHNICAL MATERIEL CORP. ITS UNAUTHORIZED USE OR REPRODUCTION IN WHOLE OR IN PART IS STRICTLY FORBIDDEN.