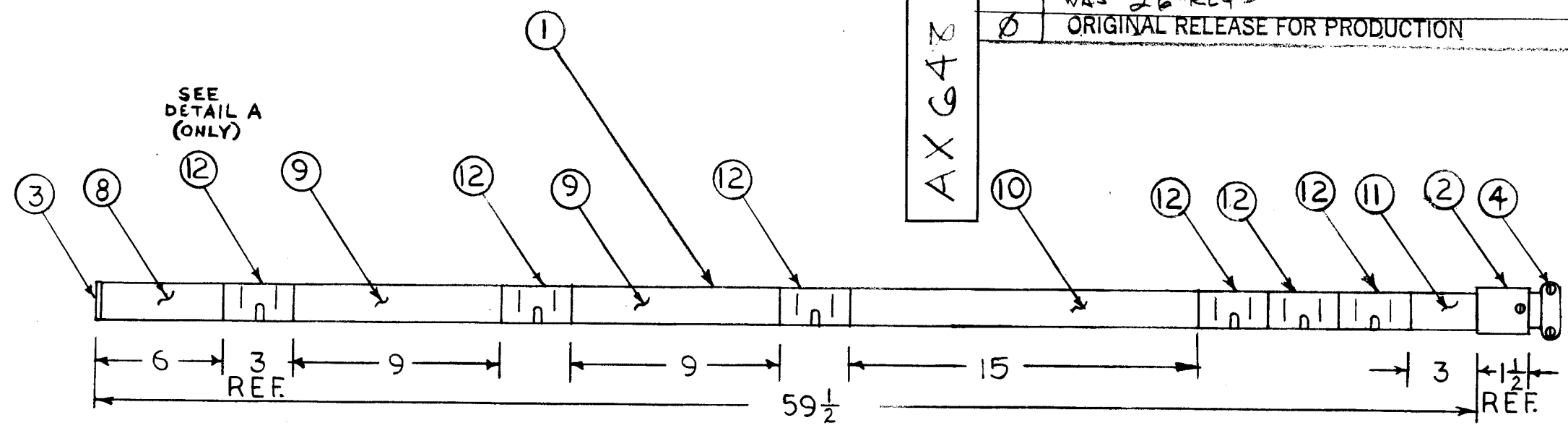
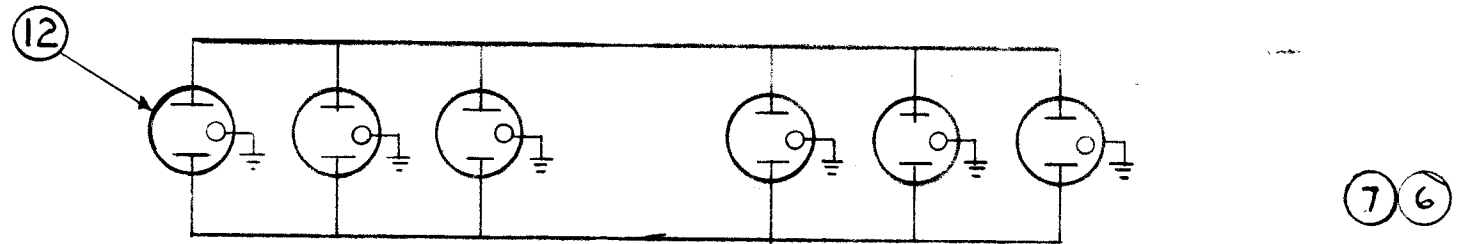
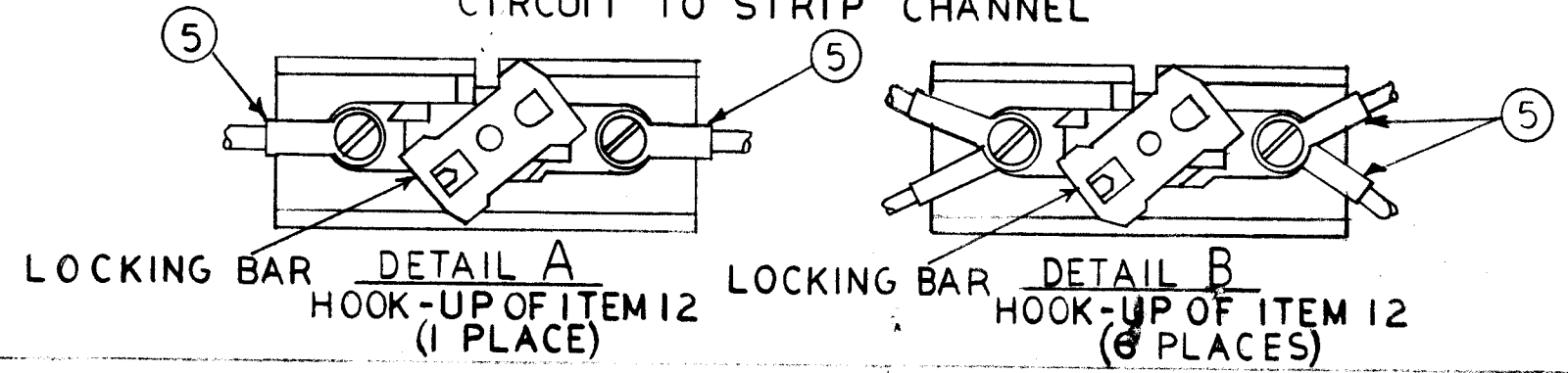


AX 648

REVISIONS						
SYM	DESCRIPTION	DATE	E.M.N. NO.	DRAFT	CHKD	APPD
X1	IT. 12 REQ'D WAS 7; IT. 10 WAS 12.000; IT. 5 WAS "26" REQ'D	11/10/66	-	HLL		
Ø	ORIGINAL RELEASE FOR PRODUCTION	12/1/66	Ø	CV		



NOTE: ROTATE LOCKING BAR TO COMPLETE GROUND CIRCUIT TO STRIP CHANNEL



SCHEMATIC DIAGRAM

REQ'D.	ITEM	PART NUMBER	DESCRIPTION	SYMBOL
6	12	JJ 294-1	RECEPTACLE, GROUNDING	
1	11	PO 163-3.000	COVER, CONNECTOR STRIP	
1	10	15.000		
2	9	9.000		
1	8	PO 163-6.000	COVER, CONNECTOR STRIP	
X	7	MWC 14 (19) UO	WIRE ELECTRICAL INSULATED	BLK
X	6	MWC 14 (19) U9	WIRE ELECTRICAL INSULATED	WHT
22	5	TE-155-34168	TERMINAL LUG, CRIMP, INSULATED	
1	4	CU 113	CLAMP, UNSHEATHED CABLE	
1	3	PO 161	FITTING, END BLANK	
1	2	PO 162	FITTING, END CABLE ENTRY	
1	1	MS-3663	CHANNEL, STRIP A.C.	

STURMER LIST OF MATERIAL

MATERIAL

FINISH

UNLESS OTHERWISE SPECIFIED DIMENSIONS ARE IN INCHES AND INCLUDE CHEMICALLY APPLIED OR PLATED FINISHES

DECIMALS .X ± .05 .XX ± .01 .XXX ± .005

FRACTIONS ± 1/64 ANGLES ± 0° 30'

TOLERANCES

THE TECHNICAL MATERIEL CORP. MAMARONECK, NEW YORK

TITLE STRIP ASSEMBLY A.C. POWER, RAK 30D

DRAWN [Signature] DATE 7-1-66

CHECKED [Signature] DATE

ELECT. DES. DATE 9-1-66

MECH. DES. DATE

FINAL APPROVAL [Signature] DATE 12/1/66

AX 648

SHEET

REV. LTR.

1	RAK 30D	
Q'TY./UNIT	MODEL USED ON	ASSY. NO.
NONE	SCALE	CODE

THE CONTENTS OF THIS DRAWING ARE THE EXCLUSIVE PROPERTY OF THE TECHNICAL MATERIEL CORP. ITS UNAUTHORIZED USE OR REPRODUCTION IN WHOLE OR IN PART IS STRICTLY FORBIDDEN.

NOTES