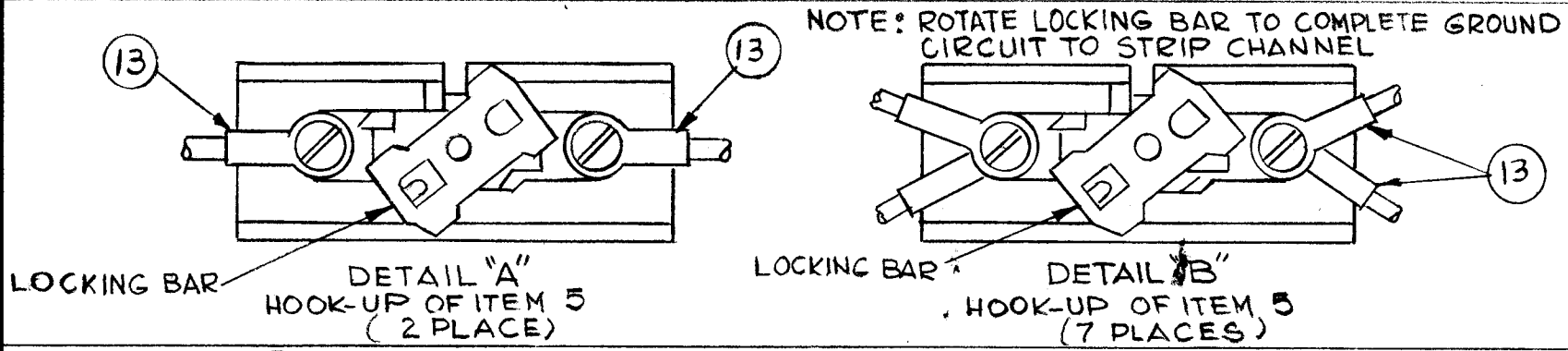
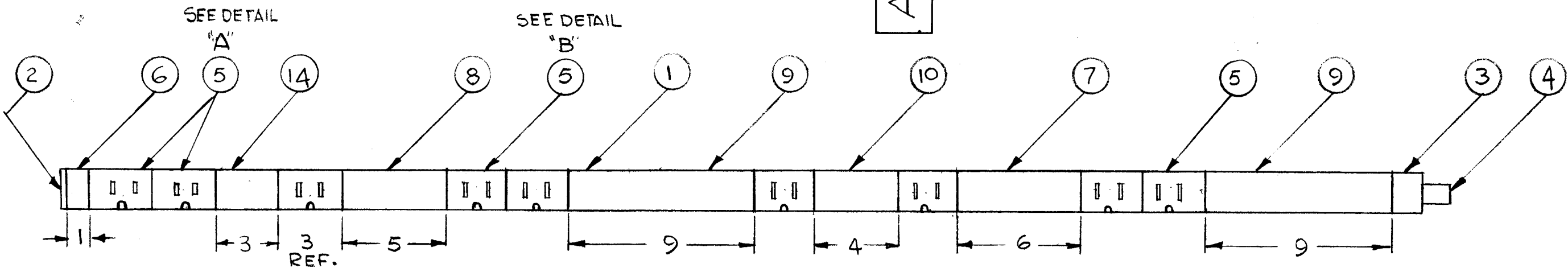
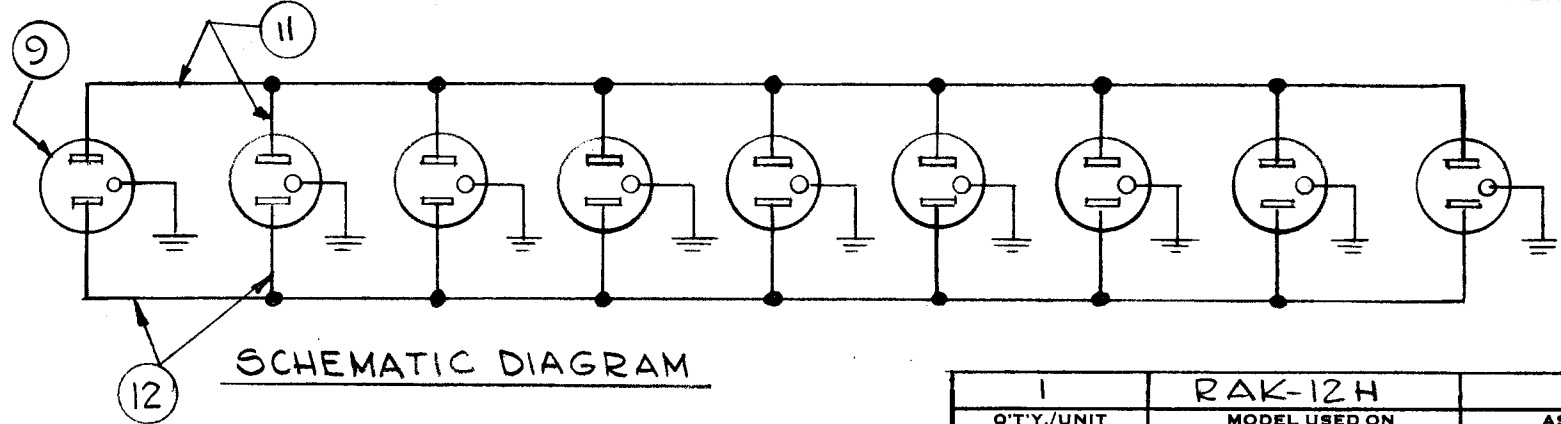


AX630

REVISIONS					
SYM	DESCRIPTION	DATE	E.M.N. NO.	DRAFT	CHKD APPD
X1	ITEM 14 ADDED ITEM 7 WAS 2 REQ.	4-19-66	-	C D L	74 B
Ø	ORIGINAL RELEASE FOR PRODUCTION	7-12-66	Ø	46A	



REQ'D.	ITEM	PART NUMBER	DESCRIPTION	SYMBOL
1	14	PO 163-3.000	COVER CONNECTOR, STRIP	
32	13	TE 155-34168	TERMINAL, LUG	
X	12	MWC 14 (19) U0	WIRE, ELECT, INSUL	
X	11	MWC 14 (19) U9	WIRE, ELECT, INSUL	
1	10	PO 163-4.000	COVER, CONNECTOR, STRIP	
2	9	PO 163-9.000		
1	8	PO 163-5.000		
1	7	PO 163-6.000		
1	6	PO 163-1.000	COVER, CONNECTOR, STRIP	
9	5	JJ 294-	RECEPTACLE, GROUNDING	
1	4	CU 113	CONNECTOR, ARMORED CABLE	
1	3	PO 162	FITTING, END, CABLE ENTRY	
1	2	PO 161	FITTING, END, BLANK	
1	1	MS 3435	CHANNEL, STRIP, A.C.	



STURMER		LIST OF MATERIAL			
MATERIAL		THE TECHNICAL MATERIEL CORP. MAMARONECK, NEW YORK			
FINISH		TITLE STRIP ASSEMBLY, A.C POWER			
UNLESS OTHERWISE SPECIFIED DIMENSIONS ARE IN INCHES AND INCLUDE CHEMICALLY APPLIED OR PLATED FINISHES		DRAWN G.D.L.	DATE 4-11-66	FINAL APPROVAL <i>[Signature]</i>	DATE 7/11/66
DECIMALS .X ± .05 .XX ± .01 .XXX ± .005		CHECKED <i>[Signature]</i>	DATE 4/25/66	DATE	DATE
TOLERANCES		ELECT. DES.	DATE	DATE	DATE
FRACTIONS ± 1/64 ANGLES ± 0° 30'		MECH. DES.	DATE	DATE	DATE
		SHEET AX 630		REV. LTR.	

1	RAK-12H	
Q'TY./UNIT	MODEL USED ON	ASS'Y. NO.
SCALE DO NOT SCALE	CODE A	
THE CONTENTS OF THIS DRAWING ARE THE EXCLUSIVE PROPERTY OF THE TECHNICAL MATERIEL CORP. ITS UNAUTHORIZED USE OR REPRODUCTION IN WHOLE OR IN PART IS STRICTLY FORBIDDEN.		

NOTES