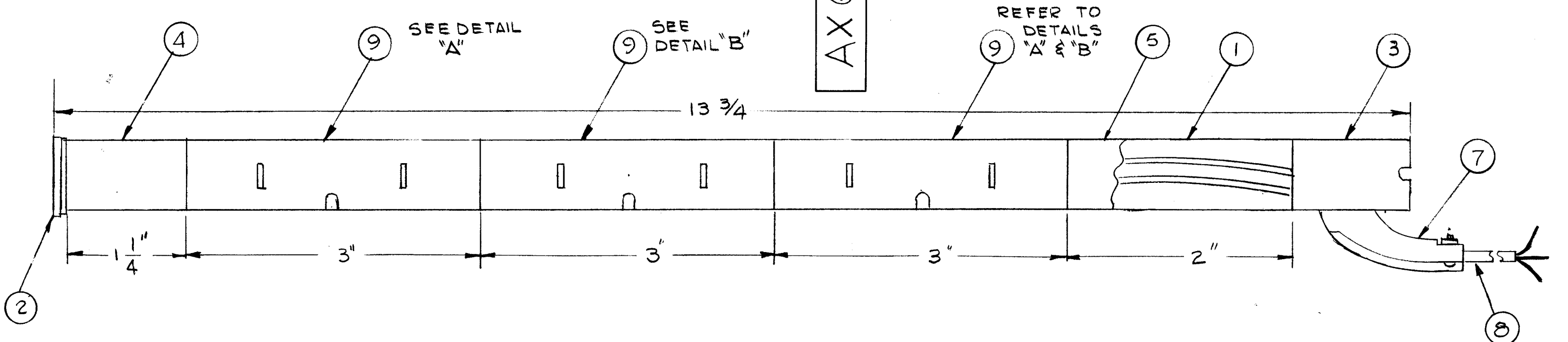


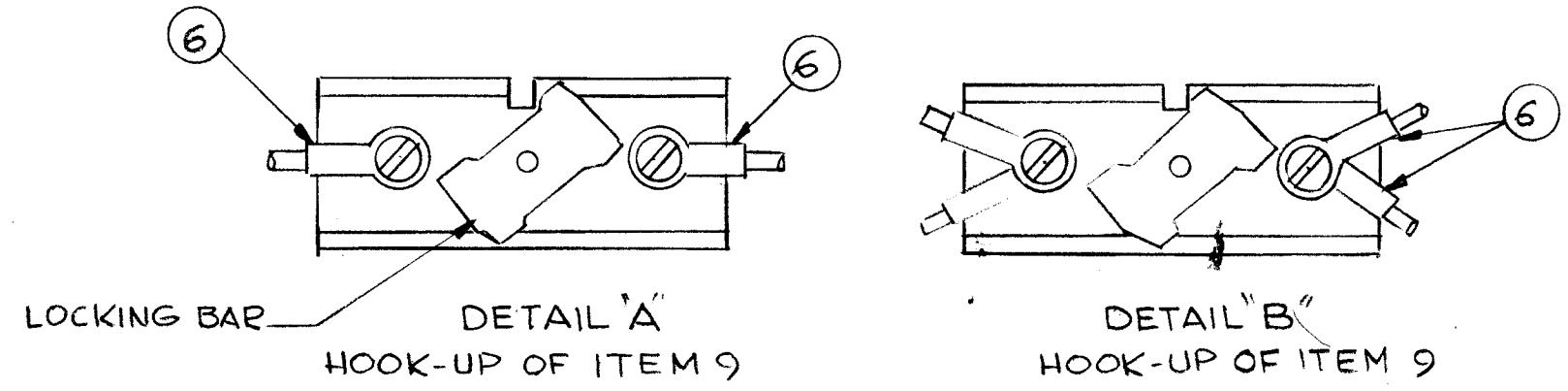
AX622

REVISIONS

SYM	DESCRIPTION	DATE	E.M.N. NO.	DRAFT	CHKD	APPD
Ø	ORIGINAL RELEASE FOR PRODUCTION	1/17/66	Ø			<i>[Signature]</i>



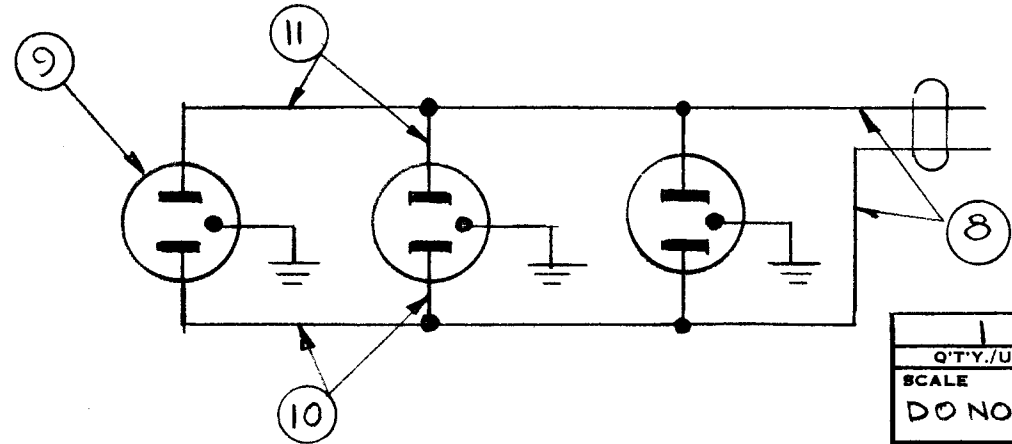
NOTE: ROTATE LOCKING BAR TO COMPLETE GRN. CIRCUIT TO STRIP CHANNEL



REQ'D.	ITEM	PART NUMBER	DESCRIPTION	SYMBOL
	15"	11	MWC12(19)U9	WIRE, ELEC, INS.
	15"	10	MWC12(19)U0	WIRE, ELEC, INS.
	3	9	JJ294-1	CONNECTOR, RECP, FML, AC
	1	8	CA953-2-120.00	CABLE ASSY, PWR, AC
	1	7	CU110	BOX. CONN, ELEC.
	8	6	TE155-34168	TERM. LUG INS.
	1	5	PO163-2.000	COVER, CND
	1	4	PO163-1.125	COVER, CND
	1	3	PO162	CONDUIT, OUTLET
	1	2	PO161	END FTG, BLANK
	1	1	MS4849	CONDUIT, RACEWAY

LIST OF MATERIAL

MATERIAL		<p align="center"><b>THE TECHNICAL MATERIEL CORP.</b> MAMARONECK, NEW YORK</p> <p align="center">STRIP ASSY, AC</p>			
FINISH					
UNLESS OTHERWISE SPECIFIED DIMENSIONS ARE IN INCHES AND INCLUDE CHEMICALLY APPLIED OR PLATED FINISHES		DRAWN <i>G.D.L.</i> DATE <i>1-14-65</i> CHECKED <i>[Signature]</i> DATE <i>1-17-66</i> ELECT. DES. <i>[Signature]</i> DATE <i>1-17-66</i> MECH. DES. DATE	FINAL APPROVAL <i>[Signature]</i> DATE <i>1/17/66</i> <p align="center" style="font-size: 2em;"><b>AX622</b></p>	SHEET REV. LTR.	



NOTES

Q'TY./UNIT	MODEL USED ON	ASS'Y. NO.
SCALE	CODE	
DO NOT SCALE		
THE CONTENTS OF THIS DRAWING ARE THE EXCLUSIVE PROPERTY OF THE TECHNICAL MATERIEL CORP. ITS UNAUTHORIZED USE OR REPRODUCTION IN WHOLE OR IN PART IS STRICTLY FORBIDDEN.		