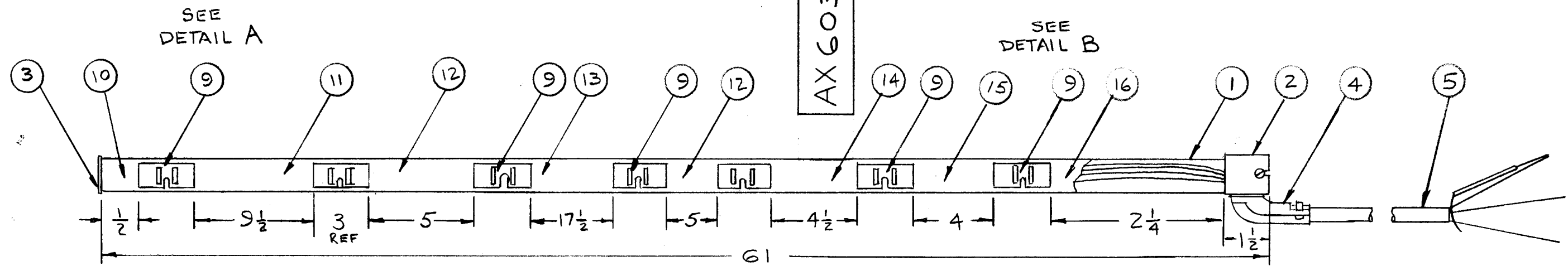


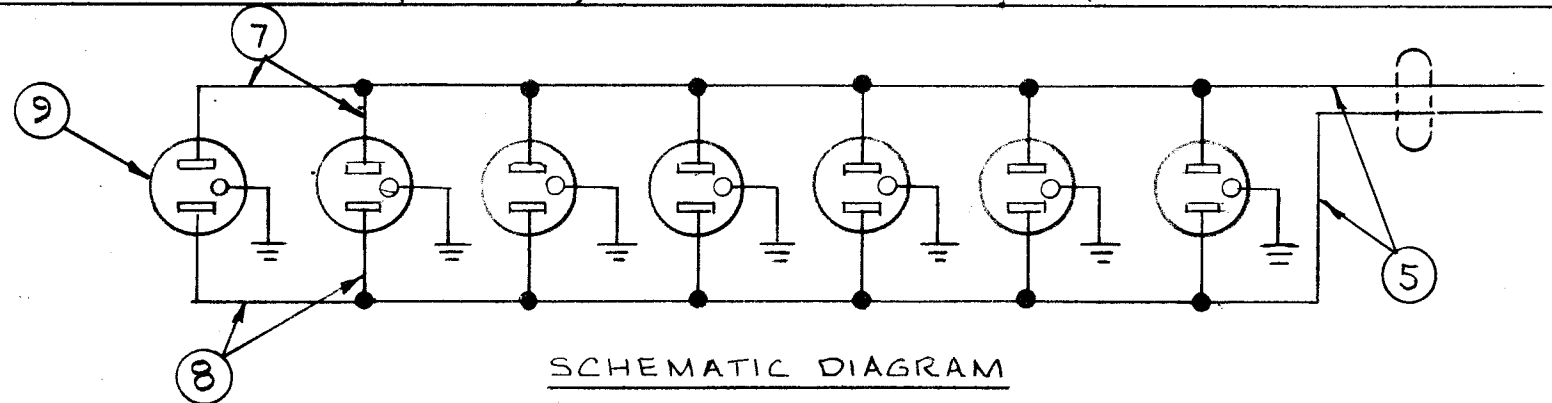
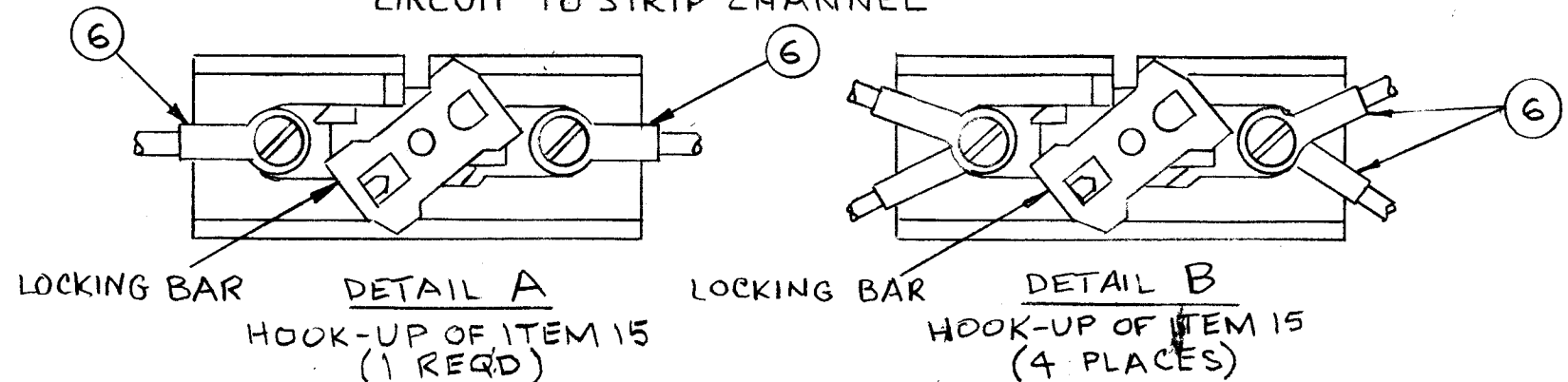
AX603

REVISIONS

SYM	DESCRIPTION	DATE	E.M.N. NO.	DRAFT	CHKD	APPD
Ø	ORIGINAL RELEASE FOR PROD	10/18/65	Ø			



NOTE: ROTATE LOCKING BAR TO COMPLETE GROUND CIRCUIT TO STRIP CHANNEL



REQ'D.	ITEM	PART NUMBER	DESCRIPTION	SYMBOL
1	16	PO163-2.250	COVER, CONNECTOR, STRIP	
1	15	- 4.000		
1	14	- 4.500		
1	13	- 17.500		
2	12	- 5.000		
1	11	- 9.500		
1	10	PO163-0.500	COVER, CONNECTOR, STRIP	
7	9	JJ 294-1	RECEPTACLE, GROUNDING	
X	8	MWC 12(19)U0	WIRE, ELECT, INSUL	
X	7	MWC 12(19)U9	WIRE, ELECT, INSUL	
26	6	TE 155-34168	TERMINAL, LUG	
1	5	CA 950-4-7400	CABLE ASSY, SP	
1	4	CU 110	CONNECTOR, ARMORED CABLE	
1	3	PO 161	FITTING, END, BLANK	
1	2	PO 162	FITTING, END, CABLE ENTRY	
1	1	MS4773	CHANNEL, STRIP, A.C.	

STURMER

LIST OF MATERIAL

MATERIAL
//
FINISH
//
UNLESS OTHERWISE SPECIFIED DIMENSIONS ARE IN INCHES AND INCLUDE CHEMICALLY APPLIED OR PLATED FINISHES
DECIMALS .X ± .05 .XX ± .01 .XXX ± .005
TOLERANCES ± 1/64 ANGLES ± 0° 30'

THE TECHNICAL MATERIEL CORP.
MAMARONECK, NEW YORK
TITLE
STRIP ASSEMBLY
A.C. POWER
DRAWN M.H. STURMER
CHECKED HJO
ELECT. DES.
MECH. DES.
DATE 7-29-65
DATE 10-11-65
DATE 10-11-65
DATE
FINISH APPROVAL
DATE 10/18/65
AX 603
SHEET
REV. LTR.

NOTES

1	RAK-12G	
Q'TY./UNIT	MODEL USED ON	ASS'Y. NO.
NONE	A	
THE CONTENTS OF THIS DRAWING ARE THE EXCLUSIVE PROPERTY OF THE TECHNICAL MATERIEL CORP. ITS UNAUTHORIZED USE OR REPRODUCTION IN WHOLE OR IN PART IS STRICTLY FORBIDDEN.		