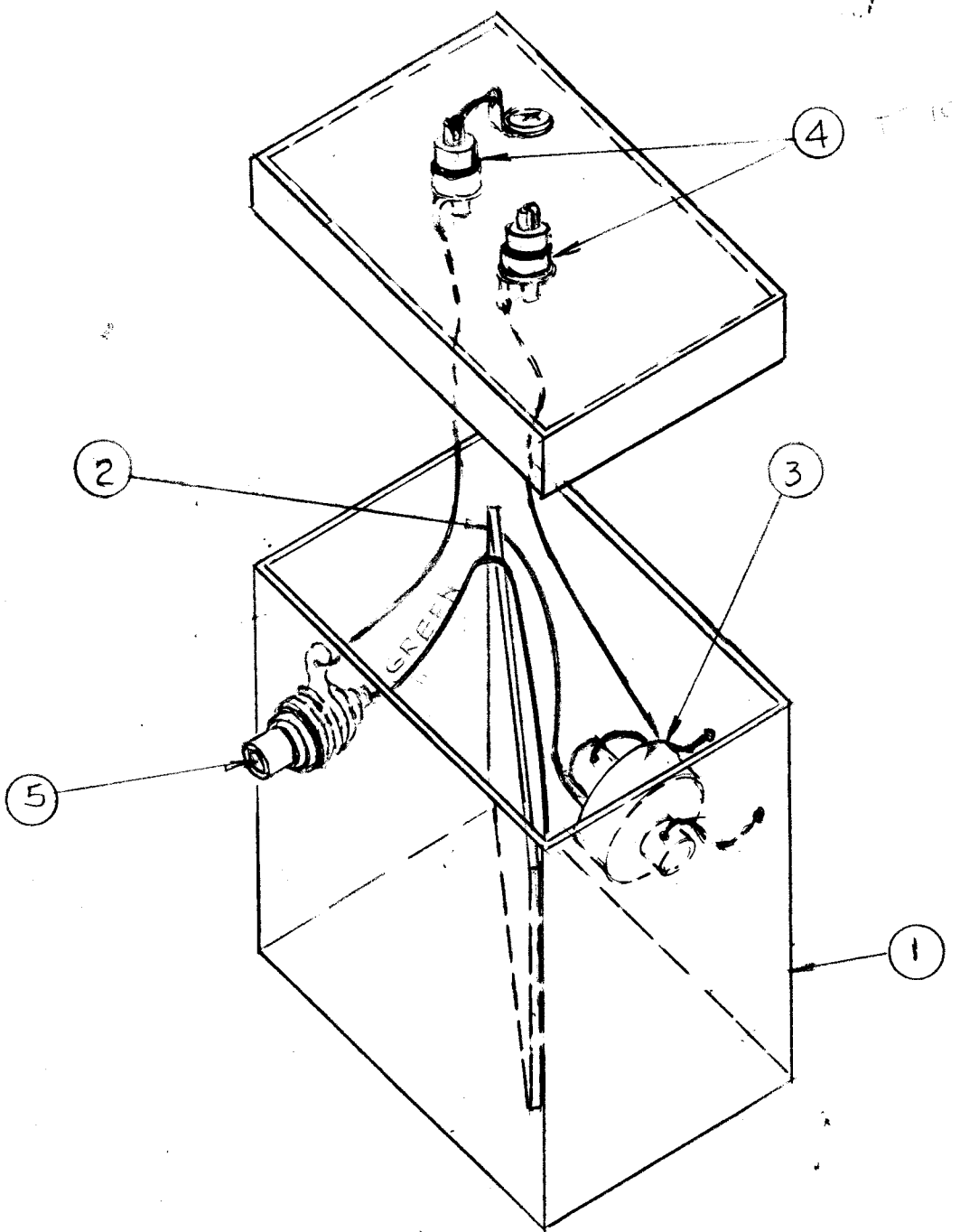


REVISIONS							
E.M.N. NO.	DRAFT	CHKD	ZONE	LTR	DESCRIPTION	DATE	APPROVED
	G.D.L.			Ø	ORIGINAL RELEASE FOR PROD.	3-15-93	



REQ'D	ITEM	PART NUMBER	DESCRIPTION	SYM.
1	6	TE111-2	SOLDER, LUG	
1	5	UG 625	BNC CONNECTOR	
2	4	TE 10142	STANDOFF	
1	3	TR 218	TRANSFORMER	
1	2	FX 315	FILTER LOW PASS	
1	1	BX 241	CASE TRANSFORMER	

LIST OF MATERIAL

1	VAA-2, B	
QTY / UNIT	MODEL USED ON	ASS'Y NO.
APPLICATION		
	CODE	

UNLESS OTHERWISE SPECIFIED DIMENSIONS ARE IN INCHES AND INCLUDE CHEMICALLY APPLIED OR PLATED FINISHES		FINAL APPROVAL	DATE
DECIMALS	FRACTIONS	MECH. DES.	DATE
.X ± .05	1/64	ELECT. DES.	DATE
.XX ± .01	TOLS. ANGLES	CHECKED	DATE
.XXX ± .005	0° 30'	DRAWN	DATE
MATERIAL		G.D.L.	3-15-93
FINISH			

THE TECHNICAL MATERIEL CORP.
MAMARONECK, NEW YORK

ASSY. TR 218 / FX 315)
VLF

NOTICE TO PERSONS RECEIVING THIS DRAWING
THE TECHNICAL MATERIEL CORPORATION claims proprietary right in the material disclosed hereon. This drawing is issued in confidence for engineering information only and may not be reproduced or used to manufacture anything shown hereon without permission from THE TECHNICAL MATERIEL CORPORATION to the user. This drawing is loaned for mutual assistance and is subject to recall at any time.

SIZE	CODE IDENT. NO.	DWG NO.	ISSUE
B	82679	AX5279	Ø
SCALE		SHEET	OF
		1	