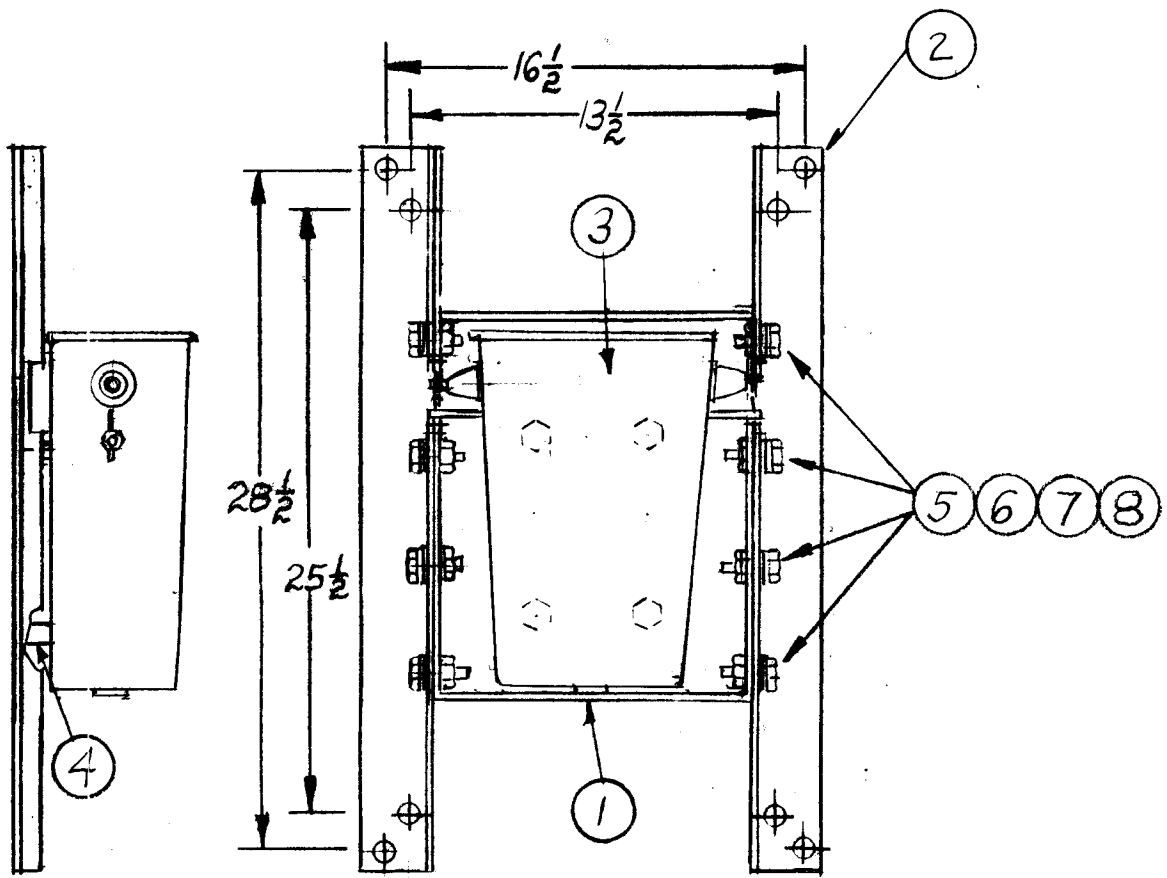


APPLICATION			REVISIONS							
QTY	MODEL USED ON	ASS'Y NO.	LTR	DESCRIPTION	DATE	E.M.N.NO	DRAFT	CHKD	APPD	
			P	ORIGINAL RELEASE FOR PROA	5-31-90		G.D.L.			



REQ'D	ITEM	PART NUMBER	DESCRIPTION	SYM.
8	8	SCH2520BN10	BOLT, HEX HEAD	
8	7	FW25	WASHER, FLAT	
8	6	LWS25MSS	LOCK WASHER	
8	5	NTH2520BN14	NUT, HEXAGONAL	
4	4	TE3118BP31R	SPACER	
1	3	TRC 10K/800.BF	XMTG ANT. COUP	
2	2	MS 7227	SUPPORT, GRADLE BASE	
1	1	MS 7226	PLATE MTG. TRC-10K	

UNLESS OTHERWISE SPECIFIED DIMENSIONS ARE IN INCHES AND INCLUDE CHEMICALLY APPLIED OR PLATED FINISHES	
DECIMALS X ± .06 .XX ± .01 XXX ± .005	FRACTIONS 1/64 ANGLES 0°-30°
MATERIAL	
FINISH	

FINAL APPROVAL	DATE	THE TECHNICAL MATERIEL CORP. MAMARONECK, NEW YORK SPECIAL MTG. ASSY FOR TRC-10K/800
MECH. DES.	DATE	
ELECT. DES.	DATE	
CHECKED	DATE	
DRAWN G.D.L.	DATE 5-23-90	

NOTICE TO PERSONS RECEIVING THIS DRAWING THE TECHNICAL MATERIEL CORPORATION claims proprietary right in the material disclosed hereon. This drawing is issued in confidence for engineering information only and may not be reproduced or used to manufacture anything shown hereon without permission from THE TECHNICAL MATERIEL CORPORATION to the user. This drawing is loaned for mutual assistance and is subject to recall at any time.	SIZE A	CODE IDENT. NO. 82679	DWG NO. AX 5265	ISSUE /
	SCALE		SHEET	OF