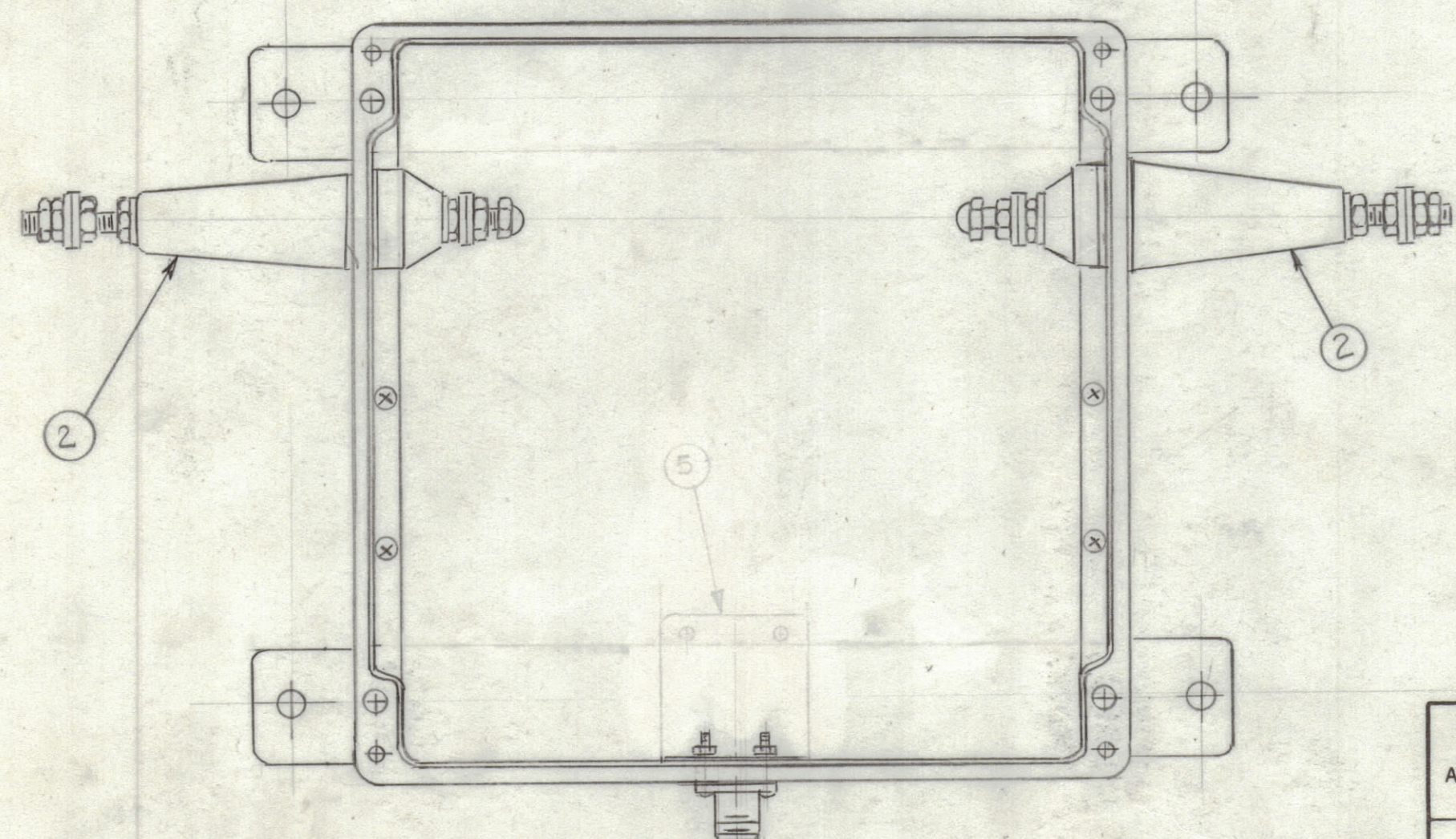
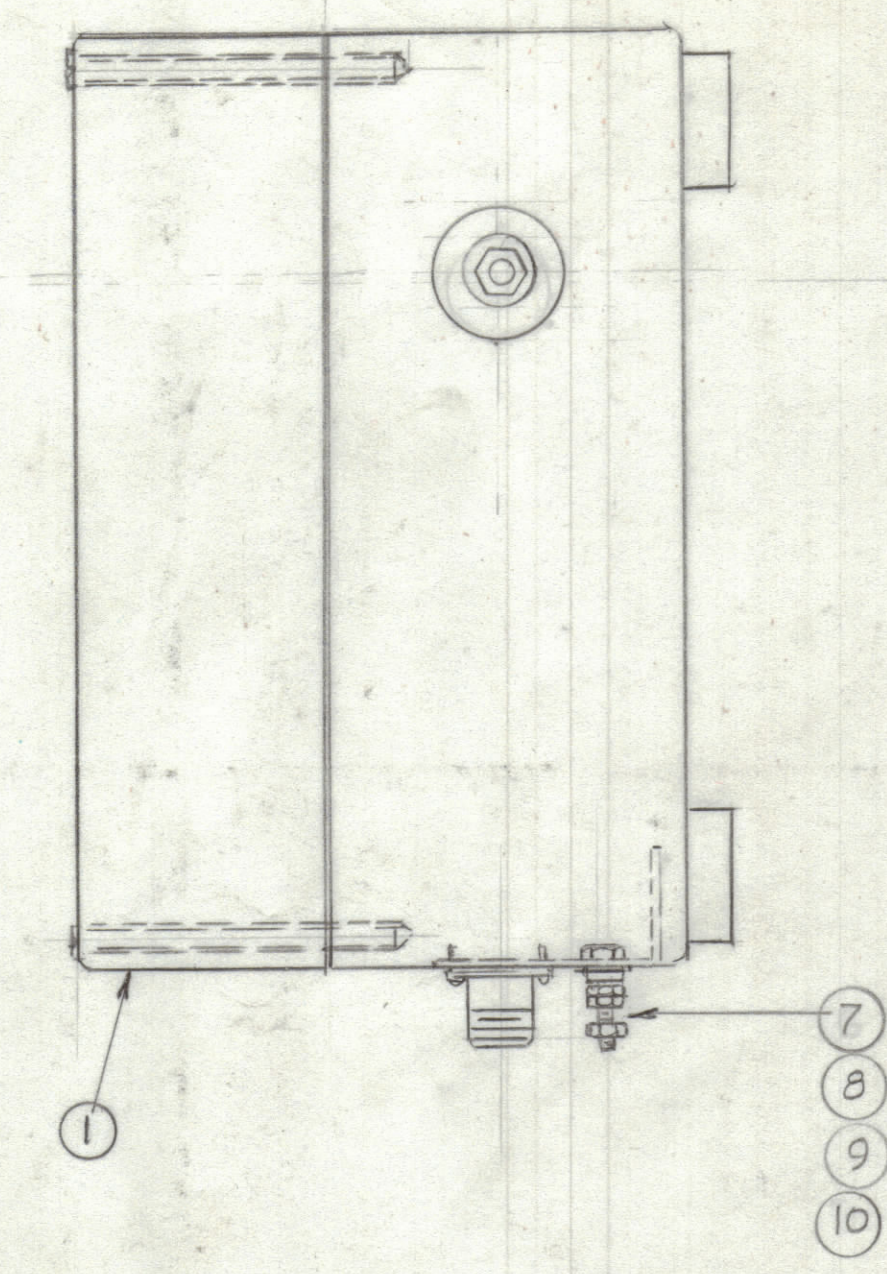
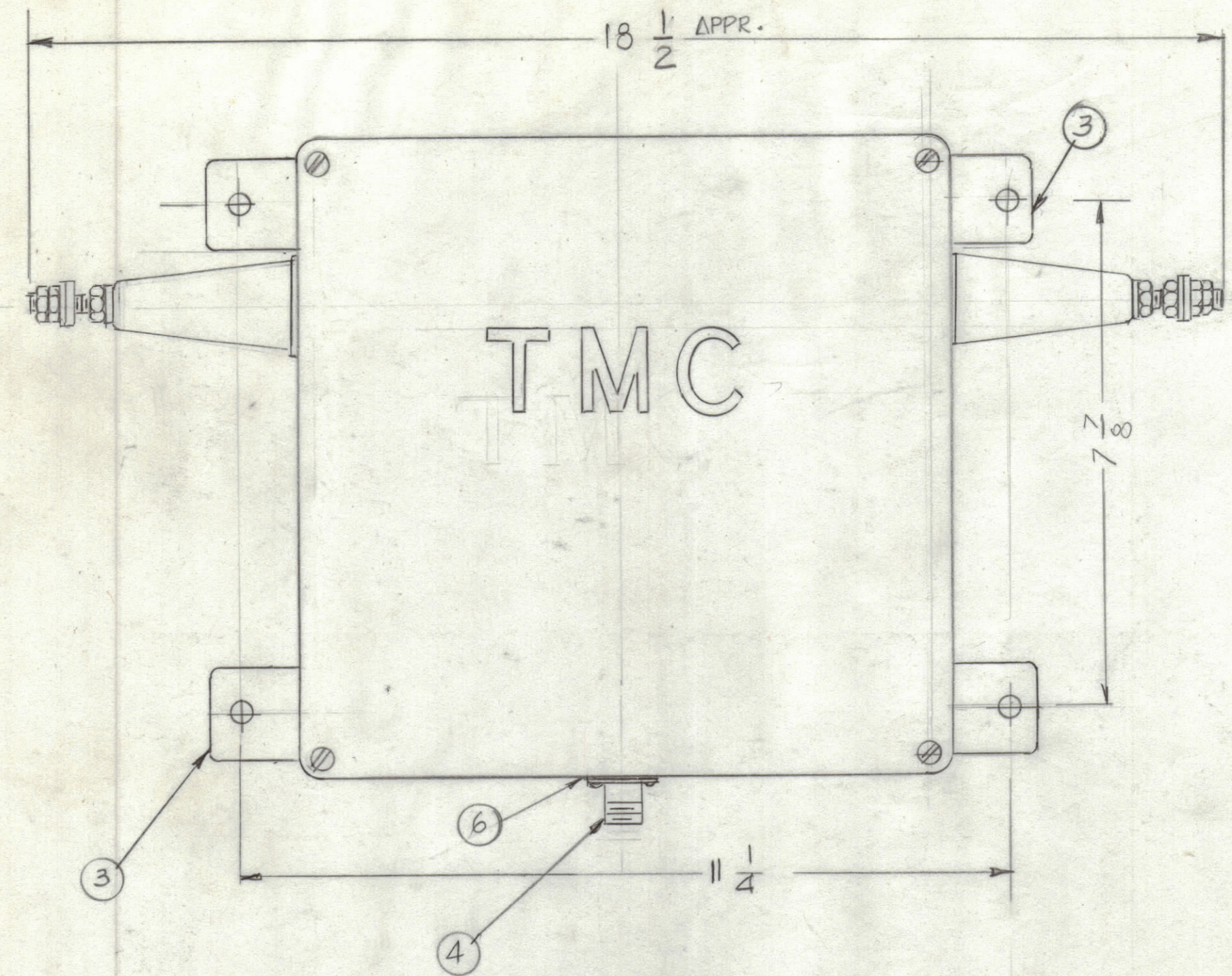


REVISIONS						
ZONE	LTR	DESCRIPTION	DATE	E.M.N.O	DRAFT	CHKD APPD
	Ø	ORIGINAL RELEASE FOR PROD.	1-2-90		GDL	



QTY. REQ.	ITEM	PART NO.	DESCRIPTION	SYMBOL
1	10	LWF 2520 SS	LOCK WASHER	
1	9	FW 2520 SS	FLAT WASHER	
1	8	GA 104	GASKET	
1	7	SCH 2520 BN16	SCREW MACHINE	
1	6	GA 149	GASKET	
+	5	MS 7201 7216	PLATE MOUNTING	
+	4	Ø	CUSTOMER OPTIONAL	
2	3	PX 1302	BRACKET MTG. CASE	
2	2	A 102	INSULATOR, ASSEMBLY	
1	1	PX 1301	CASE, & COVER FIBER GLASS RAC	

QTY. REQ.	ITEM	PART NO.	DESCRIPTION	SYMBOL
-----------	------	----------	-------------	--------

LIST OF MATERIAL

THE TECHNICAL MATERIEL CORP.
MAMARONECK, NEW YORK

UNLESS OTHERWISE SPECIFIED DIMENSIONS ARE IN INCHES AND INCLUDE CHEMICALLY APPLIED OR PLATED FINISHES

TOLERANCES ON	
DECIMALS	FRACTIONS
.X ± .05	± 1/64
.XX ± .01	ANGLES
.XXX ± .005	± 0° -30'

FINAL APPROVAL	DATE
<i>GDL</i>	1/24/90
MECH. DES.	DATE
ELECT. DES.	DATE
CHECKED	DATE
DRAWN	DATE
<i>GDL</i>	1-26-89

CASE & COVER ASSY
FIBER GLASS RAC-30

QTY / UNIT	MODEL USED ON	ASS'Y NO.
APPLICATION		
CODE		

NOTICE TO PERSONS RECEIVING THIS DRAWING

THE TECHNICAL MATERIEL CORPORATION claims proprietary right in the material disclosed hereon. This drawing is issued in confidence for engineering information only and may not be reproduced or used to manufacture anything shown hereon without permission from THE TECHNICAL MATERIEL CORPORATION to the user. This drawing is loaned for mutual assistance and is subject to recall at any time.

SIZE	CODE IDENT.NO.	DWG NO.	ISSUE
C	82679	AX 5262	Ø
SCALE	1:2	SHEET	OF