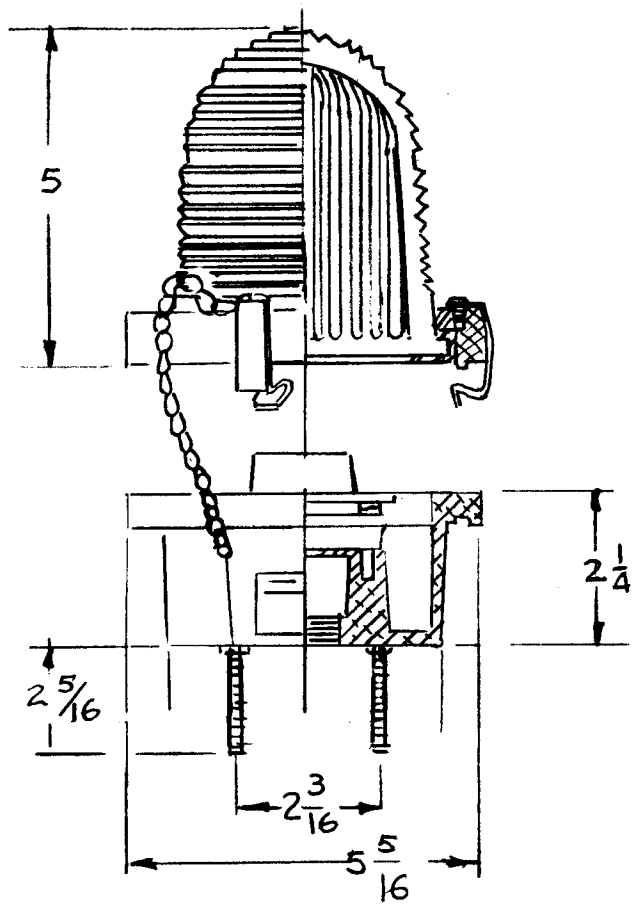


APPLICATION			REVISIONS						
QTY	MODEL USED ON	ASS'Y NO.	LTR	DESCRIPTION	DATE	E.M.N.NO	DRAFT	CHKD	APPD
1	GPT 10K	AX 166	Ø	RELEASE FOR PRODUCTION	9-22-88		GDL		



ELECTRICAL SPECS.
 240 VOLTS
 50/60 CPS
 SINGLE PHASE

NOTE:
 REPLACE AX124 - (A)

REF: LINTER CORP. MENTOR OHIO
 CAT. MACMASTER CARR. NO. 5714T31
 PAG. 718

UNLESS OTHERWISE SPECIFIED DIMENSIONS ARE IN INCHES AND INCLUDE CHEMICALLY APPLIED OR PLATED FINISHES		REQ'D	ITEM	PART NUMBER	DESCRIPTION	SYM.
LIST OF MATERIAL						
DECIMALS: .X ± .05, .XX ± .01, .XXX ± .005 FRACTIONS: 1/64, ANGLES: 0°-30° TOLS.		FINAL APPROVAL		DATE	THE TECHNICAL MATERIEL CORP. MAMARONECK, NEW YORK LAMP SOCKET ASS'Y	
MATERIAL		MECH. DES.		DATE		
FINISH		ELECT. DES.		DATE		
		CHECKED		DATE		
		DRAWN		DATE		
NOTICE TO PERSONS RECEIVING THIS DRAWING THE TECHNICAL MATERIEL CORPORATION claims proprietary right in the material disclosed hereon. This drawing is issued in confidence for engineering information only and may not be reproduced or used to manufacture anything shown hereon without permission from THE TECHNICAL MATERIEL CORPORATION to the user. This drawing is loaned for mutual assistance and is subject to recall at any time.		SIZE	CODE IDENT. NO.	DWG NO.	ISSUE	
		A	82679	AX 5260	Ø	
		SCALE	—	SHEET	OF	