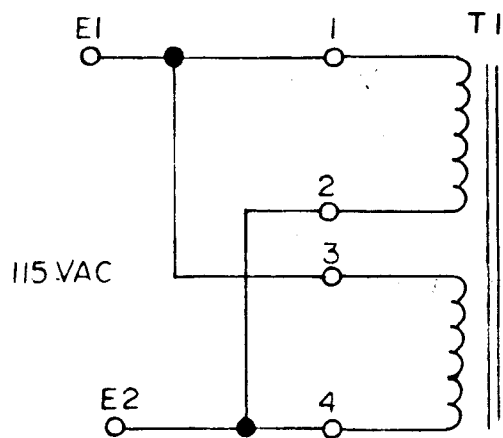
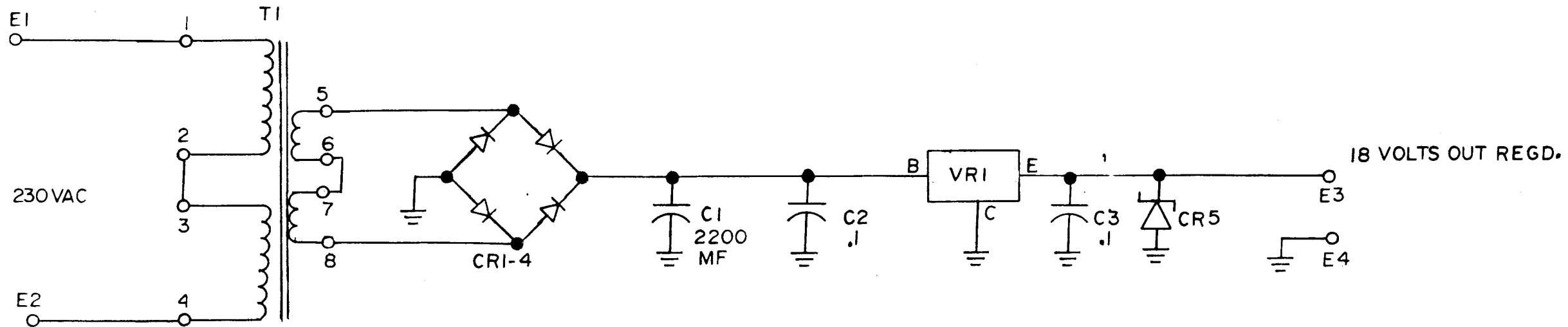


REVISIONS					DATE	APPROVED
E.M.N. NO.	DRAFT	CHKD	ZONE	LTR	DESCRIPTION	



REQ'D	ITEM	PART NUMBER	DESCRIPTION	SYM.
1	6	NWI96-4	REGULATOR, VOLTAGE	VRI
1	5	1N5252	DIODE, ZENER	CR5
2	4	CC131-39	CAPACITOR, CERAMIC	C2,3
1	3	CE105-2200-25	CAPACITOR, ELECTROLYTIC	C1
1	2	DD-130-500-1.5	RECTIFIER, BRIDGE	CRI-4
1	1	DST-6--20	TRANSFORMER STEP DOWN	T1

LIST OF MATERIAL

1 AMC-

QTY / UNIT	MODEL USED ON	ASS'Y NO.
APPLICATION		
	CODE	

NOTICE TO PERSONS RECEIVING THIS DRAWING
 THE TECHNICAL MATERIEL CORPORATION claims proprietary right in the material disclosed hereon. This drawing is issued in confidence for engineering information only and may not be reproduced or used to manufacture anything shown hereon without permission from THE TECHNICAL MATERIEL CORPORATION to the user. This drawing is loaned for mutual assistance and is subject to recall at any time.

UNLESS OTHERWISE SPECIFIED DIMENSIONS ARE IN INCHES AND INCLUDE CHEMICALLY APPLIED OR PLATED FINISHES		FINAL APPROVAL <i>EB</i>	DATE <i>3/12/60</i>	THE TECHNICAL MATERIEL CORP. MAMARONECK, NEW YORK	
		MECH. DES.	DATE		
DECIMALS .X ± .05 .XX ± .01 .XXX ± .005		ELECT. DE <i>E.F.M.</i>		POWER SUPPLY AUX.	
FRACTIONS 1/64 ANGLES 0°-30'		DATE <i>3/12/60</i>			
MATERIAL		DRAWN <i>Rw</i>	DATE <i>3-12-60</i>	SIZE B	CODE IDENT. NO. 82679
FINISH				DWG NO. AX 5258	ISSUE <i>Xφ</i>
				SCALE	SHEET OF