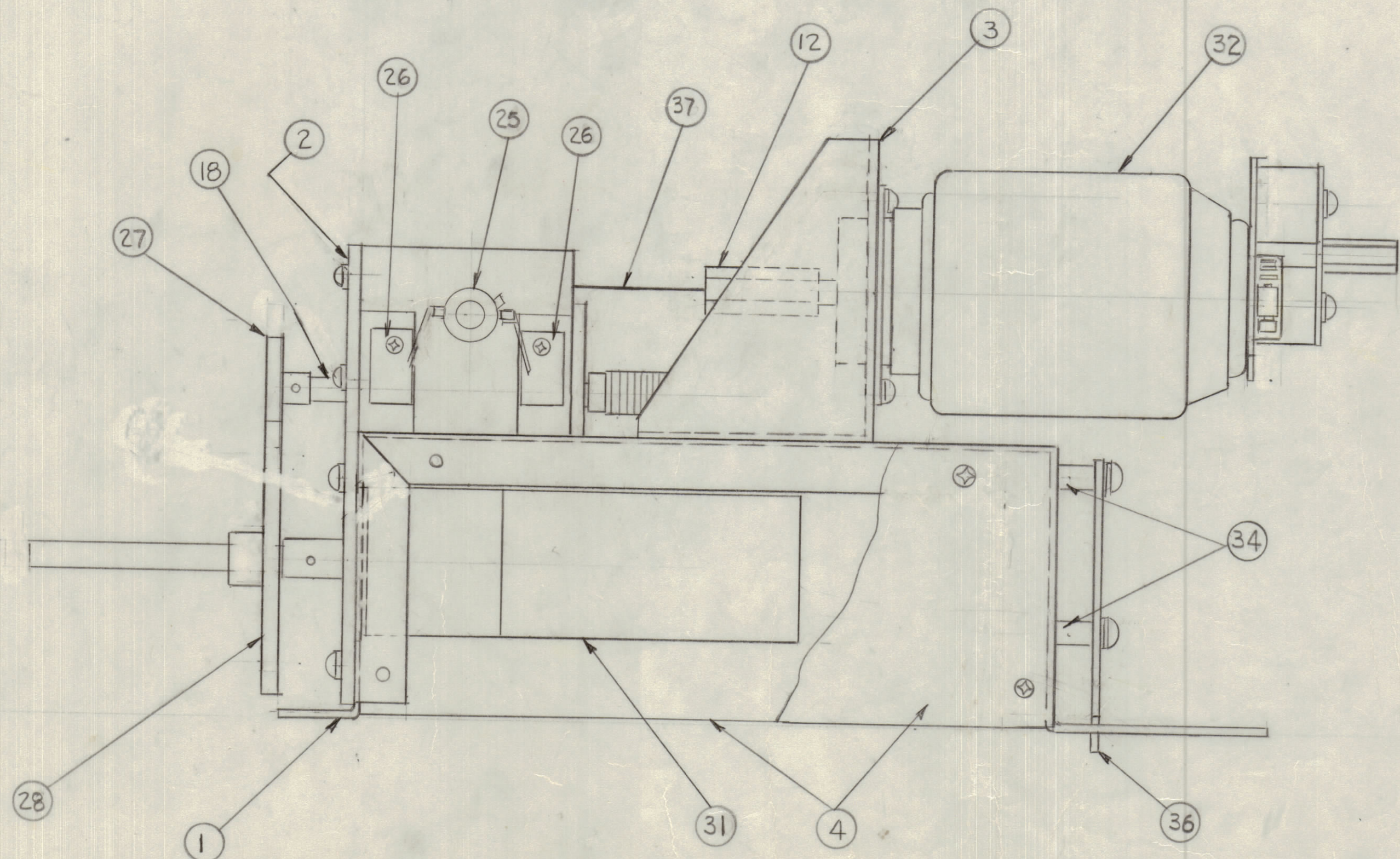
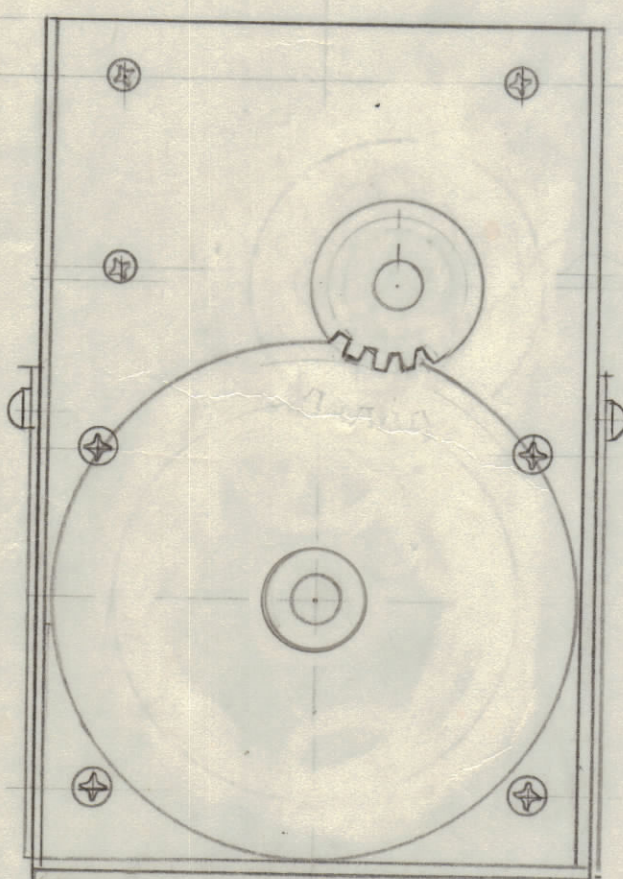
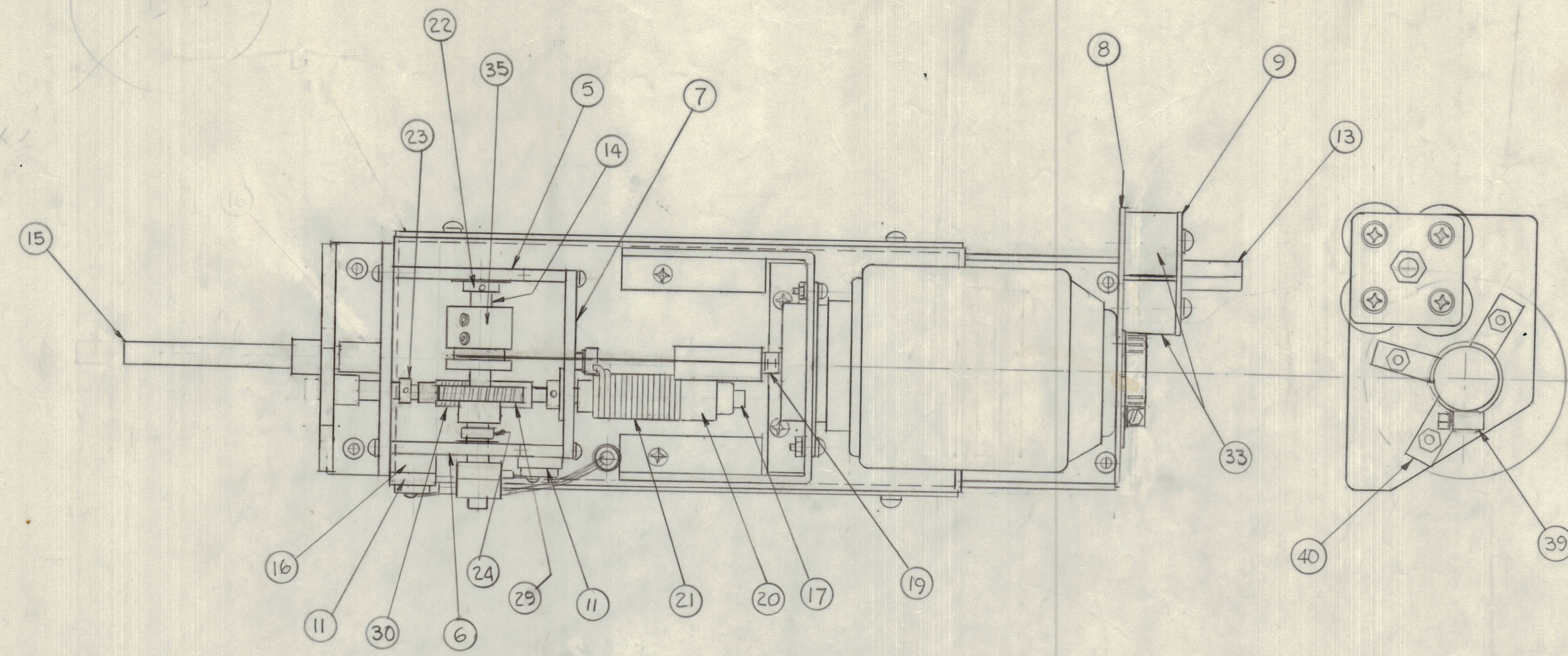


| REVISIONS | | | | | | | |
|------------------|-------|------|------|-----|---|----------|----------|
| E.M.N.O. | DRAFT | CHKD | ZONE | LTR | DESCRIPTION | DATE | APPROVED |
| | | GDL | | X1 | ITEM 32 WAS CB12B | 8-20-71 | |
| | | GDL | | X2 | ITEM 15 WAS PM1432, ITEM 27 WAS GR 233, 065 ITEM 28 WAS GR 213-1 & ITEM 31 WAS MO126 ITEM 39 & 40 ADD. SHT. 2 ADD | 5-11-76 | |
| | | GDL | | X3 | ITEM 38 DEL. ITEM 18 WAS PM1505 ITEM 11 - 2 ADD. | 12-22-76 | |
| ORIGINAL RELEASE | | | | | | 9-26-80 | |

OBSOLETE
 USE FOR SPARE PARTS ONLY
 (SEE AX5218)



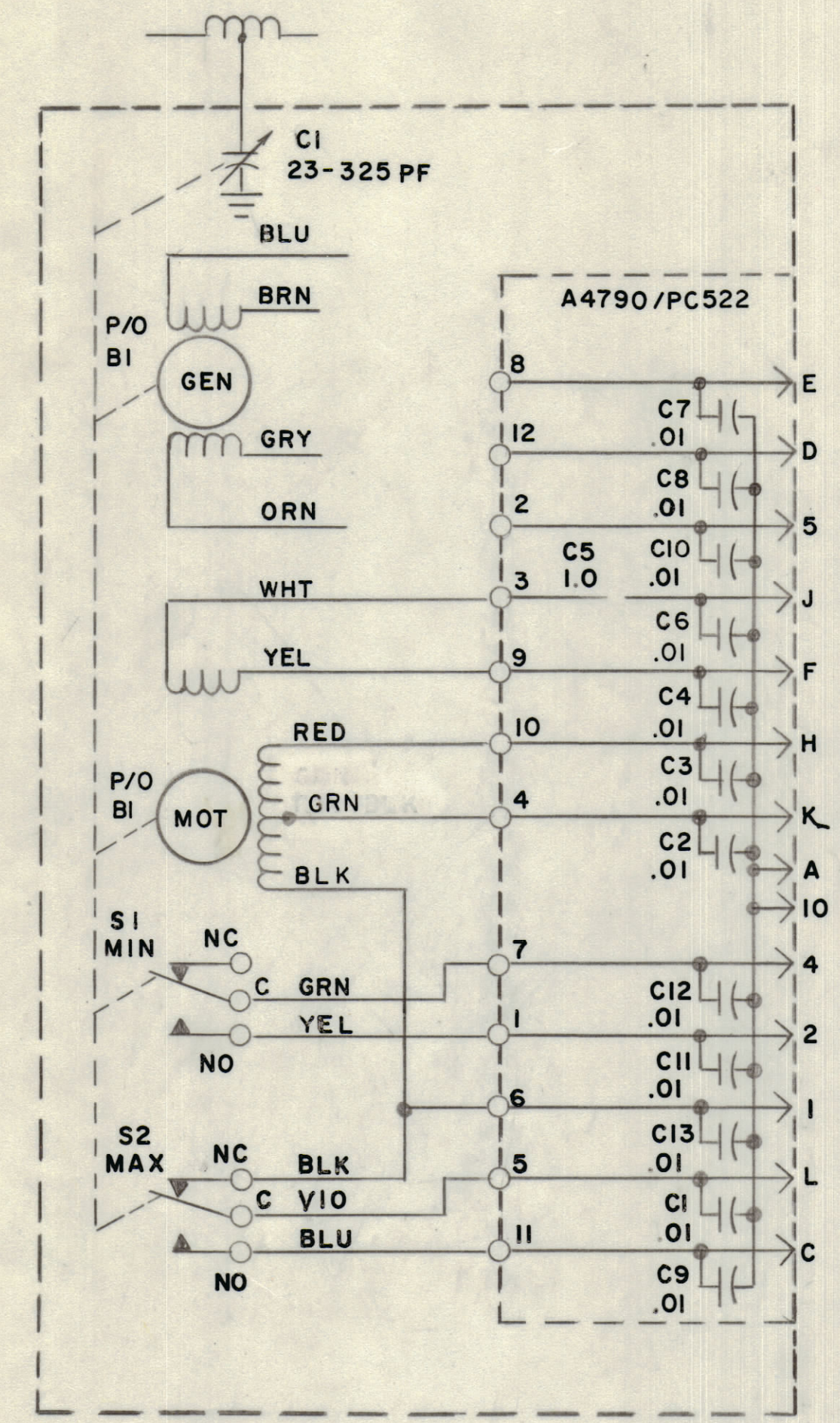
| QTY. REQ. | ITEM | PART NO. | DESCRIPTION | SYMBOL |
|-----------|------|----------------|--------------------------|--------|
| 3 | 40 | MS 6711 | CLAMP, CAPACITOR | |
| 1 | 39 | CU 175 | CLAMP, HOSE | |
| 1 | 38 | | DELETED | |
| 1 | 37 | WI 144-3 | CABLE WIRE | |
| 1 | 36 | PC 522-(A4790) | PRINTED CIRCUIT BD | |
| 1 | 35 | PM 1518 | PULLEY | |
| 3 | 34 | TE 0632 69R | SPACER | |
| 4 | 33 | CC 109-38 | CAP. FIXED CERAMIC | |
| 1 | 32 | CB 17B | CAP. VARIABLE VAC | |
| 1 | 31 | MO 126 | MOTOR | |
| 1 | 30 | GR 137 | WORM, .333 PD RH | |
| 1 | 29 | GR 136 | GEAR, WORM | |
| 1 | 28 | GR 205-22 | GEAR, SPUR | |
| 1 | 27 | GR 205-4 | GEAR, SPUR | |
| 2 | 26 | SW 353-2 | SWITCH, SENSE | |
| 2 | 25 | PM 316 | COLLAR | |
| 1 | 24 | PM 1062-4 | COLLAR, SHAFT | |
| 2 | 23 | PM 1062-6 | COLLAR, SHAFT | |
| 1 | 22 | PM 1062-5 | COLLAR, SHAFT | |
| 15 | 21 | PM 515 | WASHER, LOCK | |
| 1 | 20 | PM 519 | LOCK COLLAR | |
| 1 | 19 | PM 1585 | ROD, THREADED | |
| 1 | 18 | PM 1506 | SHAFT, WORM GEAR | |
| 1 | 17 | PM 1582 | SHAF, EXTENSION | |
| 1 | 16 | PM 1507 | SHM LIMIT SW | |
| 1 | 15 | PM 1590 | SHAFT ROTARY | |
| 1 | 14 | PM 1505 | SHAFT ROUND | |
| 1 | 13 | TE 0632AE93H | SPACER, THREADED | |
| 1 | 12 | PM 1520-6 | WIRE, HOLDER | |
| 1 | 11 | MS 4752-2 | PLATE, MTG SWITCH | |
| 1 | 10 | MS 4752-3 | PLATE, MTG SWITCH | |
| 1 | 9 | MS 6617 | PLATE, CONTACT | |
| 1 | 8 | PM 1584 | PLATE, MTG CAPACITORS | |
| 1 | 7 | PM 1502 | PLATE, REAR GEAR | |
| 1 | 6 | PM 1501 | PLATE, GEAR, RIGHT SIDE | |
| 1 | 5 | PM 1500 | PLATE, GEAR, LEFT SIDE | |
| 2 | 4 | MS 6241 | COVER, TUNE CAP. CHASSIS | |
| 1 | 3 | MS 6616 | BRACKET, MTG CAPACITOR | |
| 1 | 2 | PM 1499 | FRONT, GEAR PLATE | |
| 1 | 1 | MS 6615 | CHASSIS, TUNE CAP | |

| QTY. REQ. | ITEM | PART NO. | DESCRIPTION | SYMBOL |
|---|------|----------|-------------|--------|
| LIST OF MATERIAL | | | | |
| FINAL APPROVAL <i>ku</i> DATE | | | | |
| MECH. DES. DATE | | | | |
| ELECT. DES. DATE | | | | |
| CHECKED DATE | | | | |
| DRAWN <i>GDL</i> DATE | | | | |
| MATERIAL | | | | |
| FINISH | | | | |
| THE TECHNICAL MATERIEL CORP. MAMARONECK, NEW YORK IPA TUNE CAPACITOR ASSY(AUTO) | | | | |
| SIZE CODE/IDENT NO./DWG NO. | | | | |
| D 82679 AX5196 | | | | |
| SCALE 1:1 | | | | |
| SHEET 1 OF 2 | | | | |

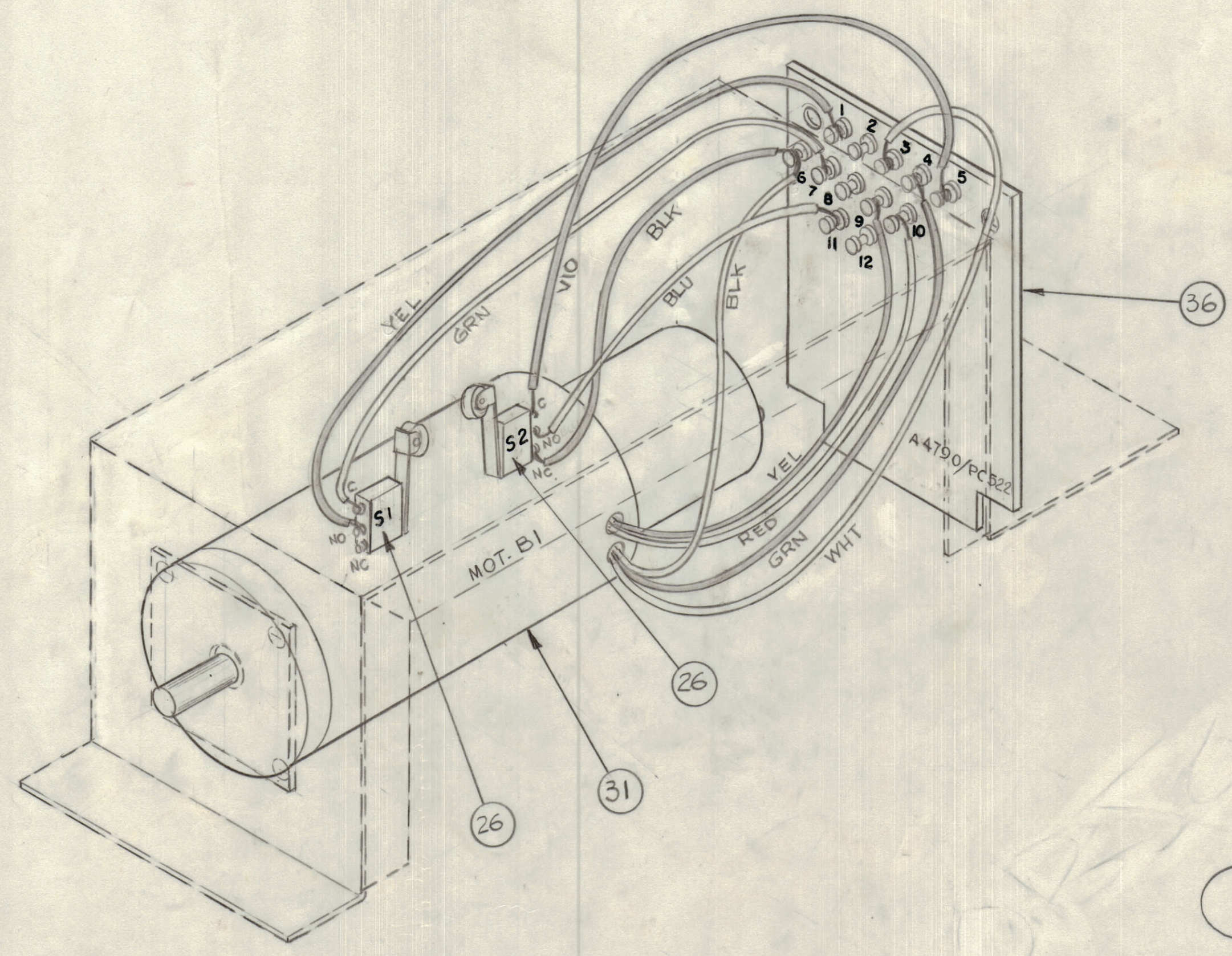
| | | |
|------------|---------------|-----------|
| 1 | KIT-407 | |
| 1 | HFTA-10K | |
| QTY / UNIT | MODEL USED ON | ASS'Y NO. |
| | APPLICATION | |
| | CODE | |

NOTICE TO PERSONS RECEIVING THIS DRAWING
 THE TECHNICAL MATERIEL CORPORATION claims proprietary right in the material disclosed hereon. This drawing is issued in confidence for engineering information only and may not be reproduced or used to manufacture anything shown hereon without permission from THE TECHNICAL MATERIEL CORPORATION to the user. This drawing is loaned for mutual assistance and is subject to recall at any time.

| REVISIONS | | | | | |
|------------------|-------|------|------|---------|----------|
| E.M.N.O | DRAFT | CHKD | ZONE | LTR | |
| 17 | dw | | | | |
| DESCRIPTION | | | | DATE | APPROVED |
| ORIGINAL RELEASE | | | | 9-26-80 | |



SCHEMATIC



OBSOLETE
 USE FOR SPARE PARTS ONLY
 (SEE AX5218)

| | | |
|-------------|---------------|-----------|
| KIT -407 | | |
| HFTA-10K | | |
| QTY / UNIT | MODEL USED ON | ASS'Y NO. |
| APPLICATION | | |
| CODE | | |
| MATERIAL | | |
| FINISH | | |

UNLESS OTHERWISE SPECIFIED
 DIMENSIONS ARE IN INCHES
 AND INCLUDE CHEMICALLY APPLIED
 OR PLATED FINISHES

TOLERANCES ON
 DECIMALS .X ± .05
 .XX ± .01
 .XXX ± .005

| | |
|----------------|--------------|
| FINAL APPROVAL | DATE |
| MECH. DES. | DATE |
| ELECT. DES. | DATE |
| CHECKED | DATE |
| DRAWN GDL | DATE 5-25-76 |

| QTY. REQ. | ITEM | PART NO. | DESCRIPTION | SYMBOL |
|--|-------|-----------|-------------|--------------|
| LIST OF MATERIAL | | | | |
| THE TECHNICAL MATERIEL CORP. MAMARONECK, NEW YORK | | | | |
| IPA TUNE CAPACITOR ASSY (AUTO) | | | | |
| SIZE | CODE | IDENT NO. | DWG NO. | ISSUE |
| D | 82679 | | AX5196 | 1 |
| SCALE | | | | SHEET 2 OF 2 |

NOTICE TO PERSONS RECEIVING THIS DRAWING
 THE TECHNICAL MATERIEL CORPORATION claims proprietary right in the material disclosed hereon.
 This drawing is issued in confidence for engineering information only and may not be reproduced or used
 to manufacture anything shown hereon without permission from THE TECHNICAL MATERIEL CORPORATION
 to the user. This drawing is loaned for mutual assistance and is subject to recall at any time.