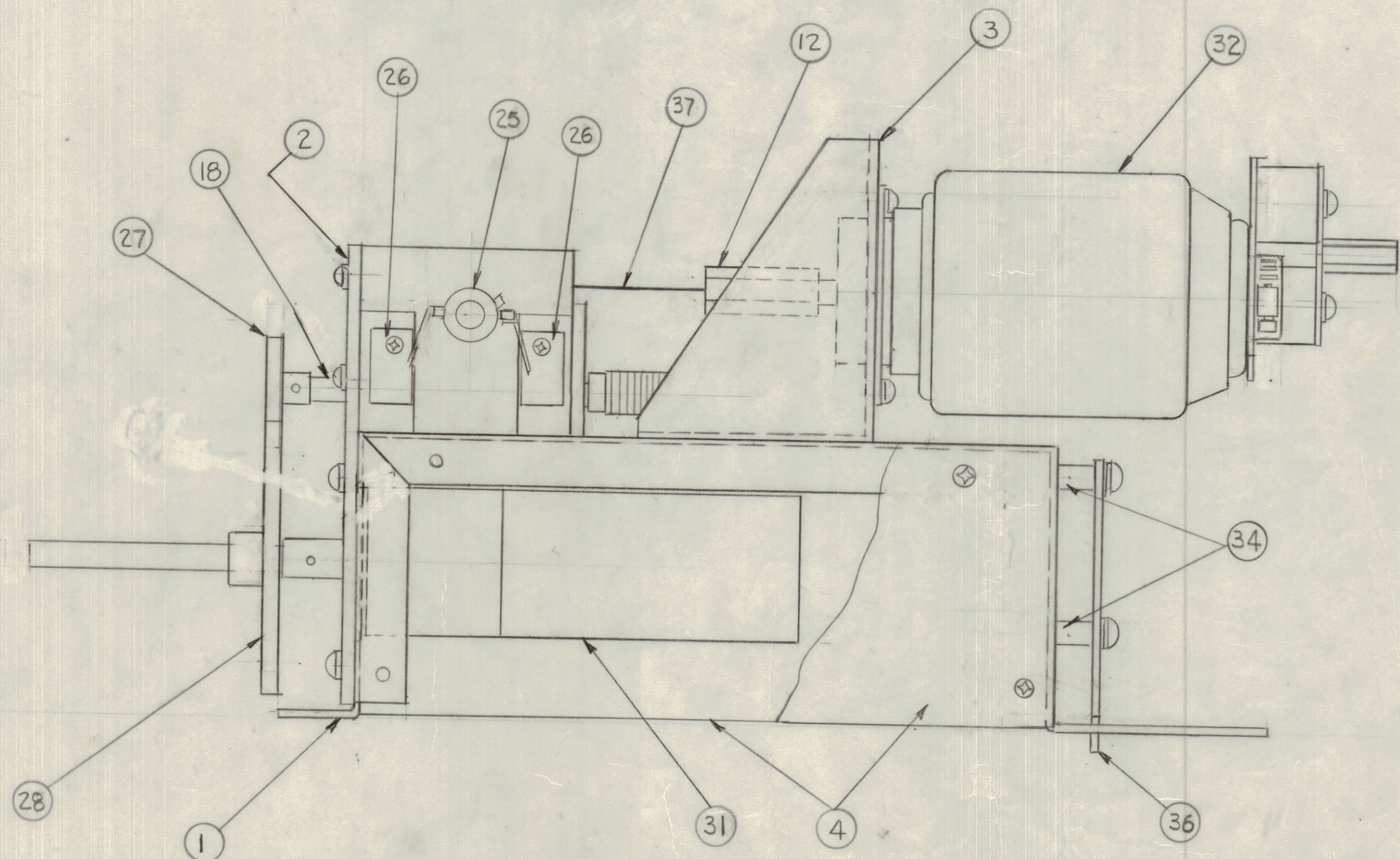
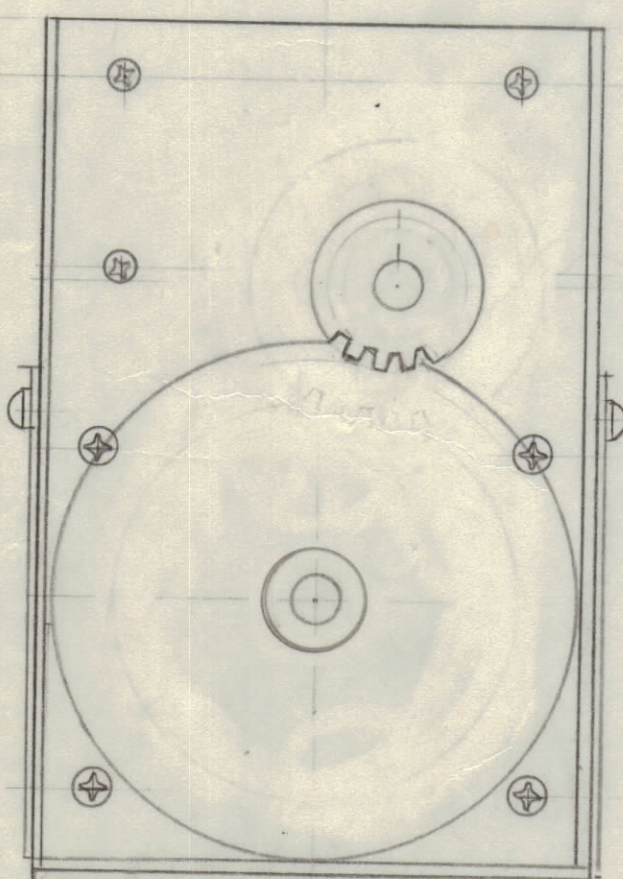
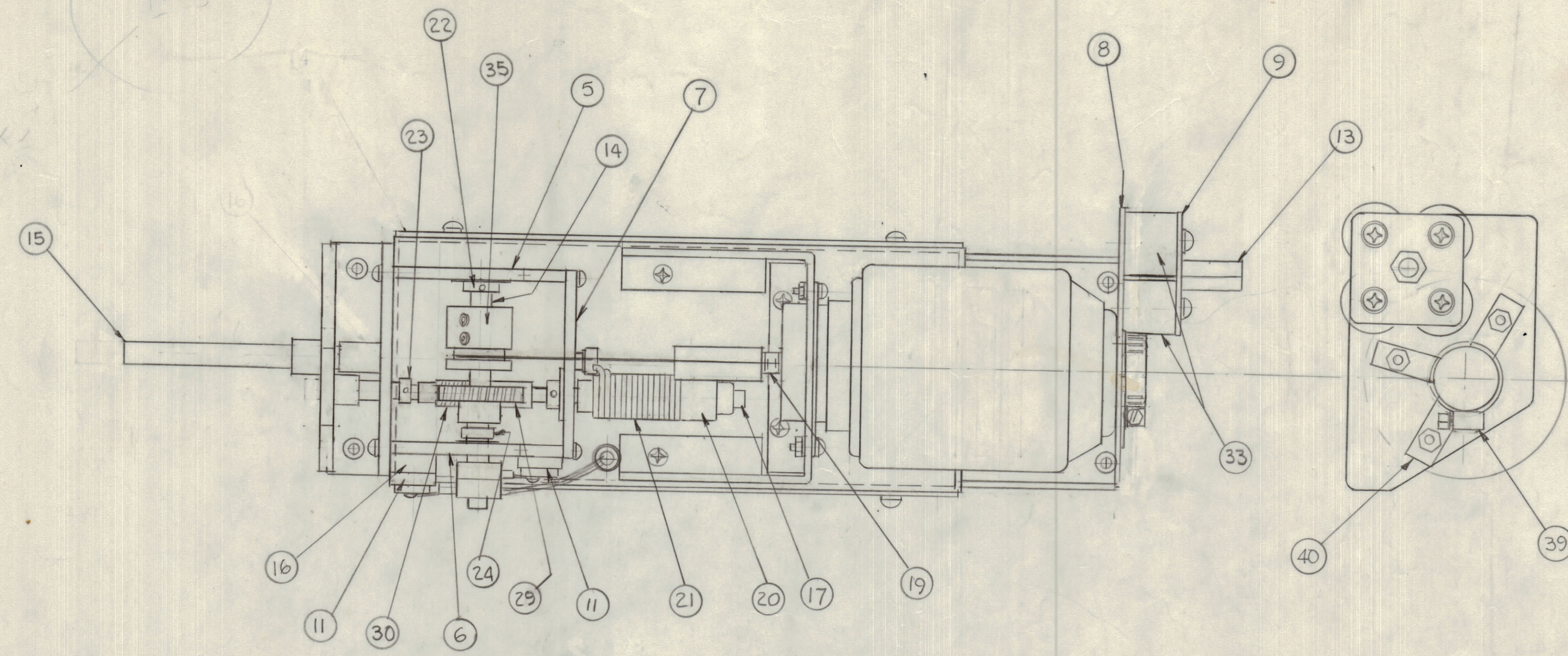


REVISIONS							
E.M.N.O.	DRAFT	CHKD	ZONE	LTR	DESCRIPTION	DATE	APPROVED
		GDL		X1	ITEM 32 WAS CB12B	8-20-71	
		GDL		X2	ITEM 15 WAS PM1432, ITEM 27 WAS GR 233, 065 ITEM 28 WAS GR 213-1 & ITEM 31 WAS MO126 ITEM 39 & 40 ADD. SHT. 2 ADD	5-11-76	
		GDL		X3	ITEM 38 DEL. ITEM 18 WAS PM1505 ITEM 11 - 2 ADD.	12-22-76	
ORIGINAL RELEASE						9-26-80	

OBSOLETE
 USE FOR SPARE PARTS ONLY
 (SEE AX5218)



QTY. REQ.	ITEM	PART NO.	DESCRIPTION	SYMBOL
3	40	MS 6711	CLAMP, CAPACITOR	
1	39	CU 175	CLAMP, HOSE	
1	38		DELETED	
1	37	WI 144-3	CABLE WIRE	
1	36	PC 522-(A4790)	PRINTED CIRCUIT BD	
1	35	PM 1518	PULLEY	
3	34	TE 0632 69R	SPACER	
4	33	CC 109-38	CAP. FIXED CERAMIC	
1	32	CB 17B	CAP. VARIABLE VAC	
1	31	MO 126	MOTOR	
1	30	GR 137	WORM, .333 PD RH	
1	29	GR 136	GEAR, WORM	
1	28	GR 205-22	GEAR, SPUR	
1	27	GR 205-4	GEAR, SPUR	
2	26	SW 353-2	SWITCH, SENSE	
2	25	PM 316	COLLAR	
1	24	PM 1062-4	COLLAR, SHAFT	
2	23	PM 1062-6	COLLAR, SHAFT	
1	22	PM 1062-5	COLLAR, SHAFT	
15	21	PM 515	WASHER, LOCK	
1	20	PM 519	LOCK COLLAR	
1	19	PM 1585	ROD, THREADED	
1	18	PM 1506	SHAFT, WORM GEAR	
1	17	PM 1582	SHAF, EXTENSION	
1	16	PM 1507	SHIM, LIMIT SW	
1	15	PM 1590	SHAFT ROTARY	
1	14	PM 1505	SHAFT ROUND	
1	13	TE 0632AE93H	SPACER, THREADED	
1	12	PM 1520-6	WIRE, HOLDER	
1	11	MS 4752-2	PLATE, MTG SWITCH	
1	10	MS 4752-3	PLATE, MTG SWITCH	
1	9	MS 6617	PLATE, CONTACT	
1	8	PM 1584	PLATE, MTG CAPACITORS	
1	7	PM 1502	PLATE, REAR GEAR	
1	6	PM 1501	PLATE, GEAR, RIGHT SIDE	
1	5	PM 1500	PLATE, GEAR, LEFT SIDE	
2	4	MS 6241	COVER, TUNE CAP. CHASSIS	
1	3	MS 6616	BRACKET, MTG CAPACITOR	
1	2	PM 1499	FRONT, GEAR PLATE	
1	1	MS 6615	CHASSIS, TUNE CAP	

QTY. REQ.	ITEM	PART NO.	DESCRIPTION	SYMBOL
LIST OF MATERIAL				
FINAL APPROVAL <i>ku</i> DATE				
MECH. DES. DATE				
ELECT. DES. DATE				
CHECKED DATE				
DRAWN <i>GDL</i> DATE				
MATERIAL				
FINISH				
THE TECHNICAL MATERIEL CORP. MAMARONECK, NEW YORK				
IPA TUNE CAPACITOR ASSY(AUTO)				
SIZE CODE IDENT NO. DWG NO.				
D 82679 AX5196				
SCALE 1:1 SHEET 1 OF 2				

1	KIT-407	
1	HFTA-10K	
QTY / UNIT	MODEL USED ON	ASSY NO.
	APPLICATION	
	CODE	

NOTICE TO PERSONS RECEIVING THIS DRAWING
 THE TECHNICAL MATERIEL CORPORATION claims proprietary right in the material disclosed hereon. This drawing is issued in confidence for engineering information only and may not be reproduced or used to manufacture anything shown hereon without permission from THE TECHNICAL MATERIEL CORPORATION to the user. This drawing is loaned for mutual assistance and is subject to recall at any time.