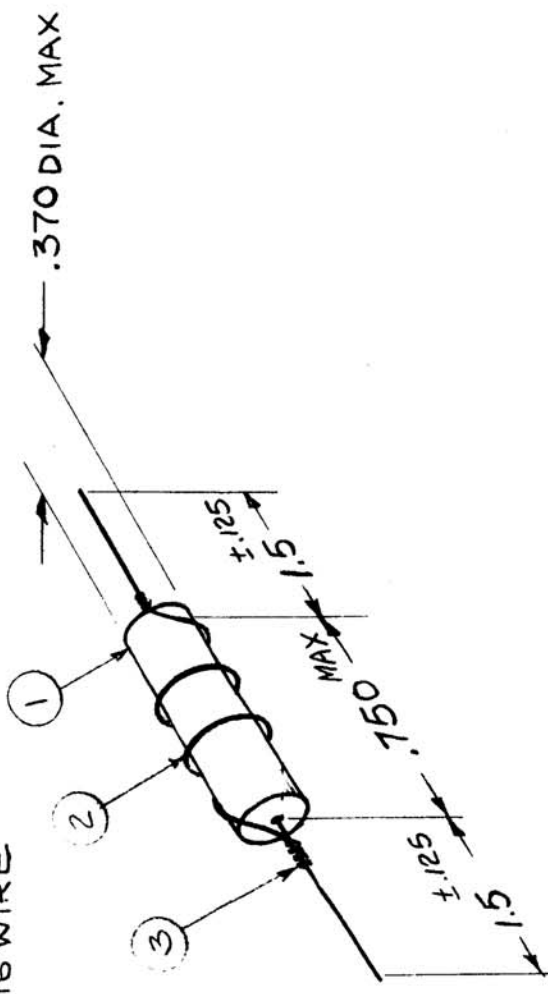


REQ. PER UNIT	MODEL	USED ON
1	RFTA-1	ASSY. NO.
1	TLAA-2.5K	DATE
		2.9.65
		3.1.68

AX562 A

FORM: RC42GF470K
 TURNS: 2 TURNS OF #16 WIRE



REQ. ITEM	DESCRIPTION	SYMBOL
X 3	BS100	SOLDER, TIN ALY
X 2	WL100-4	WIRE, ELEC. BUSS
1 1	RC42GF470K	RESISTOR, FXD, COMP
PART NO.		THE TECHNICAL MATERIEL CORP. MAMARONECK. NEW YORK
STOCK SIZE		SUPPRESSOR, PARASITIC
MATERIAL		
TYPE & TEMPER	HEAT TREAT. SPEC.	DRAWN
		2.9.65
FINISH & SPEC. NO.		QA 5-6-66
		ELC. DES. APP. MECH. DES. APP.
		AX562 A

SYM	DESCRIPTION	DATE	CH. NO.	DRAFTS	CHECKER	ENG. APP.
A	ADDED TLAA-2.5K IT.(2) WAS WL 100-5	4.11.68	18862	HA	HA	FB
Ø	ORIGINAL RELEASE	5.6.66	Ø	HA	HA	HA
XI	ITEMS 1, 2, 3 ADDED	7-16-65	XI	G.D.L.	CH	
X	EXPER. RELEASE	2.9.65	X	HA	HA	
SCALE NONE						
UNLESS OTHERWISE SPECIFIED DIMENSIONS ARE IN INCHES AND INCLUDE CHEMICALLY APPLIED OR PLATED FINISHES						
TOLERANCES						
FRACTIONS						
X ± .05						
XX ± .01						
XXX ± .005						
± 1/64						
ANGLES						
± 0° 30'						
CODE A						