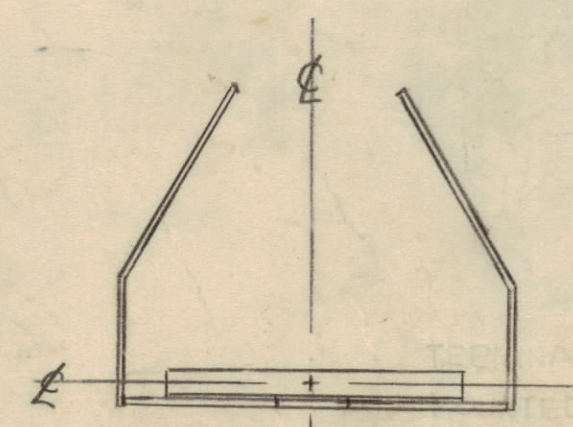
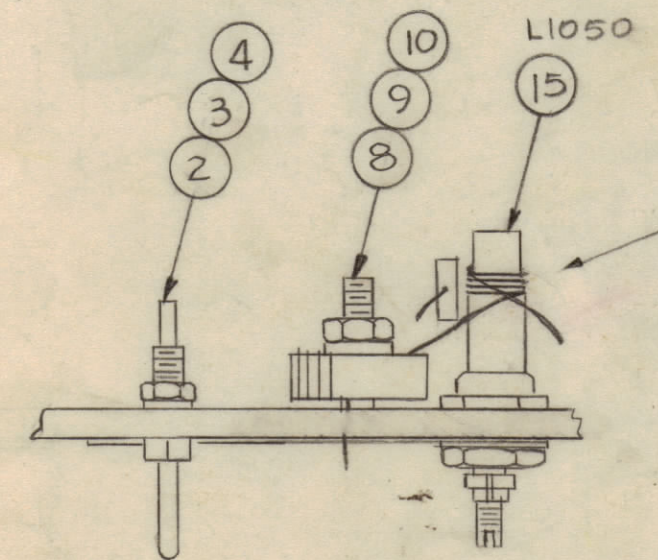
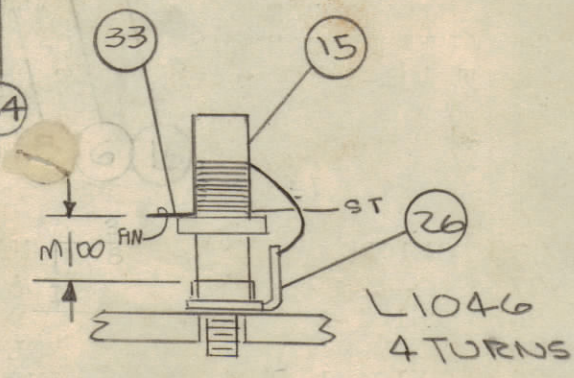
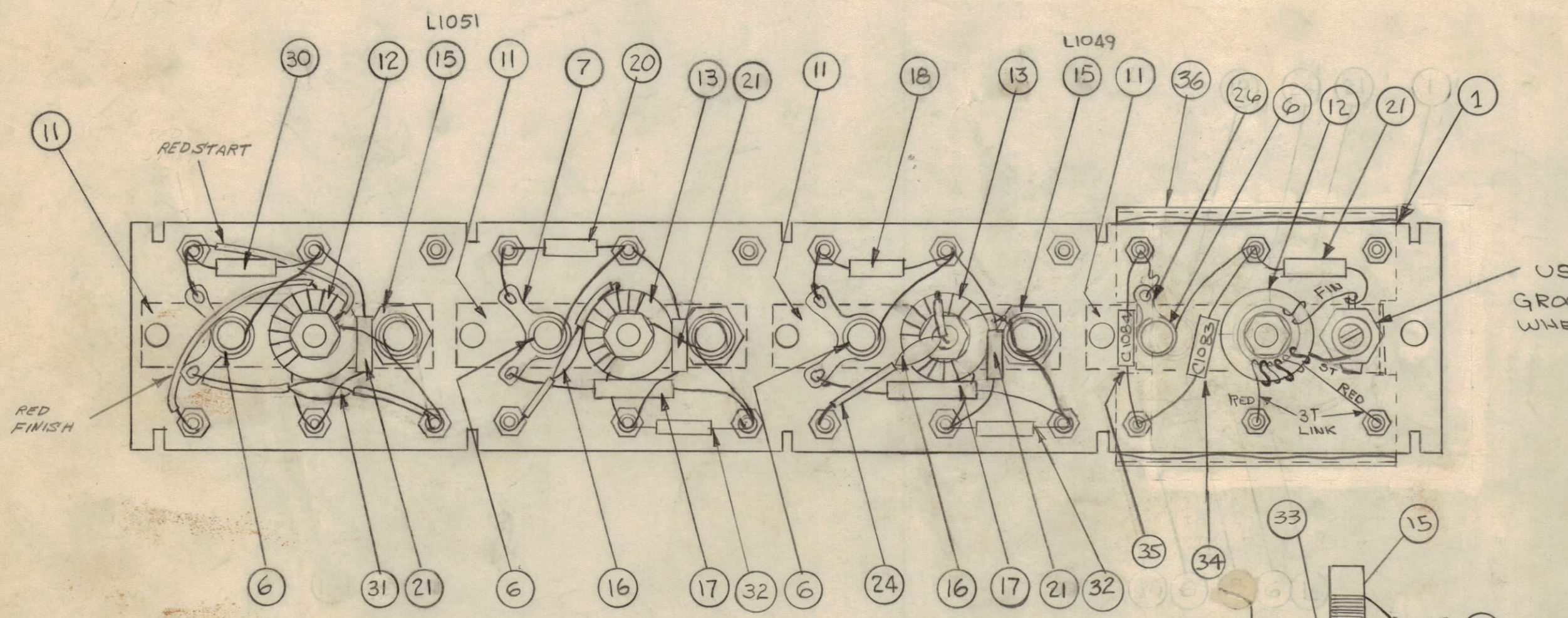


REVISIONS						
ZONE	SYM	DESCRIPTION	DATE	E.M.N. NO.	DRAFT	CHKD
X		EXPER. RELEASE	2-23-65		G.D.L.	
X1		P/Nos & SYMBOLS ADDED TO ITEMS 12, 13 & 14	3-8-65		G.D.L.	
X2		COMPLETELY REVISED	3-17-65		G.D.L.	
Ø		ORIGINAL RELEASE FOR PRODUCTION	3-24-65		G.D.L.	
A		ET. 14, L1049, IT. 31 CALLOUTS FOR IT. 14, WAVE - 1, INTERNAL. IT. 5 WAS RC206F182 JO3.	7/9/65	14434	XV.V.	
B		PICT. CLARIFIED, IT. 31, 32, T1010 ADDED IT. 14 (L1367) DELETED.	8/13/65	14554	XV.V.	
C		COMPLETELY REVISED	8/24/65	14712	XV.V.	
D		SHIELD DETAIL AND NOTES ADDED	10/4/65	14916	XV.V.	



REQ'D.	ITEM	PART NUMBER	DESCRIPTION	SYMBOL
1	36	MS4769	SHIELD	
1	35	CM15C680G03	CAPACITOR	C1084
1	34	CM15C390J03	CAPACITOR	C1083
1	33	TE181-1	TERMINAL COLLAR	
2	32	RC206F183J	RESISTOR 18K	R1062, R1063
1	31	CC100-37	CAPACITOR, F.X.D, CERAMIC	C1187
1	30	CM15C180J03YY	CAPACITOR, FIXED MICA	C1186
		DELETED	TERMINAL, STUD	
X	28	GL102	Q-MAX.	
	27	DELETED		
2	26	TE104-4	TERMINAL, LUG	
X	25	BS100	SOLDER, TIN ALLOY	
X	24	PX104-1-.034	INS. SLEEVING, SIZE 20	
X	23	WL100-6	WIRE, ELEC. BUSS	
		DELETED		
4	21	CM15F431G03	CAPACITOR, FIXED, MICA	
1	20	CM15C050J03YY	CAPACITOR, FIXED, MICA	C1185
		DELETED		
1	18	CM15D150G03YY	CAPACITOR, FIXED, MICA	C1180
				C1177
2	17	CM100-14	CAPACITOR, FIXED, MICA	C1182
2	16	CC100-14	CAPACITOR, FIXED, CER. .0047MF	C1176, C1181
4	15	CF134-5E	FORM, COIL, WITH CORE	
	14	DELETED		
2	13	TZ208	TRANSFORMER, RF, DRIVER	T1022, T1018
2	12	TZ209	TRANSFORMER, RF, OUTPUT	T1023 T1021
4	11	MS2897	PLATE, ELEC. GRD.	
4	10	NT137-0632	NUT, PLAIN, HEX, NYLON	
4	9	FW101-1	WASHER, NM, NYLON	
4	8	SC143-0632 B10W	SCREW, MACHINE, NYLON	
3	7	TE154-.196	TERMINAL, LUG, NO. 10	
4	6	CV108-3	CAPACITOR, VARIABLE, GL	
		DELETED		
24	4	LWS04MRN	WASHER, LOCK, SPLIT	
24	3	NTH0440BN6	NUT, PLAIN, HEX	
24	2	TE191-1	TERMINAL STUD-PIN	
1	1	LD1734/PX894	TERMINAL BOARD, RF	

C1167
C1178
C1183
C1188

C1175
C1179
C1184
C1189

J. ANGER LIST OF MATERIAL			
MATERIAL	THE TECHNICAL MATERIEL CORP. MAMARONECK, NEW YORK		
FINISH	TITLE TERMINAL BOARD, RF ASSY BAND #7		
UNLESS OTHERWISE SPECIFIED DIMENSIONS ARE IN INCHES AND INCLUDE CHEMICALLY APPLIED OR PLATED FINISHES	DRAWN G.D.L.	DATE 2-24-65	FINAL APPROVAL
DECIMALS X ± .05 XX ± .01 XXX ± .005	CHECKED JCB	DATE 3/24/65	DATE
FRACTIONS ± 1/64 ANGLES ± 0° 30'	ELECT. DES. J. Anger	DATE 3/22/65	DATE
TOLERANCES	MECH. DES.	DATE	SHEET
			AX554
			REV. LTR. D

CHG-3 A2946	
QTY./UNIT	MODEL USED ON ASSY. NO.
SCALE DO NOT SCALE	CODE A
THE CONTENTS OF THIS DRAWING ARE THE EXCLUSIVE PROPERTY OF THE TECHNICAL MATERIEL CORP. ITS UNAUTHORIZED USE OR REPRODUCTION IN WHOLE OR IN PART IS STRICTLY FORBIDDEN.	

NOTES

- ITEM 36 (SHIELD) MUST BE CENTERED AS SHOWN.
- TERMINAL BOARD PINS MUST BE CENTERED IN CLEARANCE HOLES FOR ITEM 36 (SHIELD).
- ITEM 36 (SHIELD) MUST NOT BE DEFORMED IN ANY MANNER.

SHIELD DETAIL

AX554D