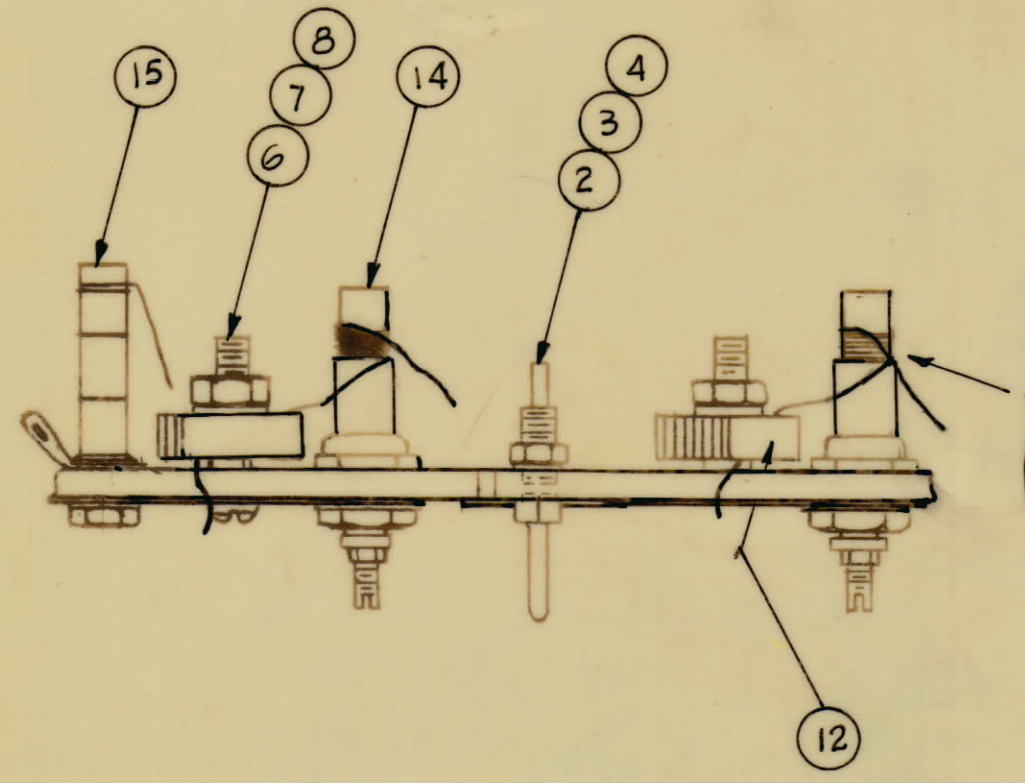
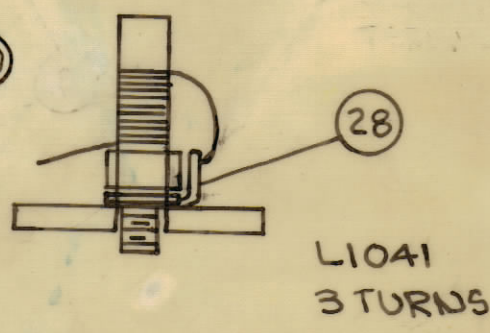
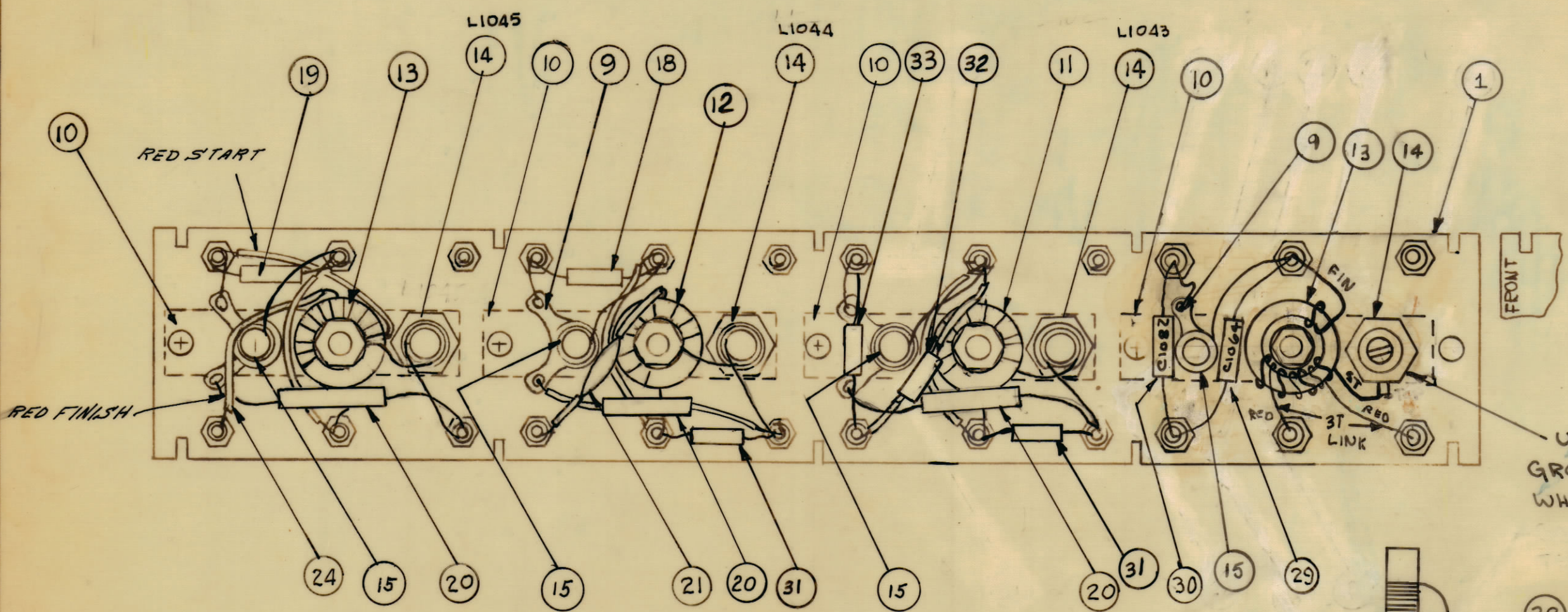


REVISIONS						
ZONE	SYM	DESCRIPTION	DATE	E.M.N. NO.	DRAFT	CHKD
X		EXPER. RELEASE	2-23-65		G.D.L.	
X		COMPLETELY REVISED	3-17-65		G.D.L.	
Ø		ORIGINAL RELEASE FOR PRODUCTION	3-24-65			
A		CALLOUTS, L1045, L1043, L1044, IT. 18 CM15C101603	7/9/65	14434	H.V.V.	
B		PICT. CLARIFIED, IT. 18 WAS CM15C101603 C1216 ADDED	8-13-65	14559	H.V.V.	
C		COMPLETELY REVISED	8/24/65	14712	D.V.V.	
D		IT. 31, 32, 33 ADDED. IT. 19 QTY. WAS 2, C1158 DELETED. IT. 21 QTY. WAS 2, C1155 DELETED. IT. 11 WAS T2203 SYM. WAS T1012	10/14/65	14914	H.V.V.	
E		REVISION 'D' WAS B IT. 29 WAS CM15F151603	11/2/65	15084	H.V.V.	



REQ'D.	ITEM	PART NUMBER	DESCRIPTION	SYMBOL
1	33	CM15F221603	CAPACITOR	C1158
1	32	CM15F151603	CAPACITOR	C1155
2	31	RC206F333J	RESISTOR	R1057 R1058
1	30	CM15F391603	CAPACITOR	C1082
1	29	CM15F131603	CAPACITOR	C1064
1	28	TE104-4	TERMINAL LUG	
	27	DELETED		
X	26	GL102	Q-MAX.	
X	25	BS100	SOLDER, TIN ALLOY	
X	24	PX104-1-.034	INSUL. SLEEVING, SZ. 20	
X	23	WL100-6	WIRE, ELEC. BUSS	
	22	DELETED		
1	21	CC100-14	CAPACITOR, FIXED, CER. .0047MF	C1159
3	20	CM100-6	CAPACITOR, FIXED, MICA	C1156, C1162, C1216
1	19	CM15F910G03	CAPACITOR, FIXED, MICA	C1163
1	18	CM15C820G03	CAPACITOR, FIXED, MICA	C1161
	17	DELETED		
	16	DELETED		
4	15	CV108-3	CAPACITOR, VAR. GL	
4	14	CF134-5E	FORM, COIL, WITH CORE	
2	13	T2202	TRANSFORMER, RF, OUTPUT	T1020, T1017
1	12	T2204	TRANSFORMER, RF, DRIVER	T1019
1	11	CL387	COIL RF	L1048
4	10	MS2897	PLATE, ELEC. GRD.	
4	9	TE154-.196	TERMINAL, LUG, NO. 10	
4	8	NT137-0632	NUT, PLAIN, HEX, NYLON	
4	7	FW101-1	WASHER, NM, NYLON	
4	6	SC143-0632 B10W	SCREW, MACHINE, NYLON	
		DELETED		
24	4	LWS04MRN	WASHER, LOCK, INTERNAL	
24	3	NTH0440BN6	NUT, PLAIN, HEX	
24	2	TE191-1	TERMINAL, STUD-PIN	
1	1	LD1733/PX894	TERMINAL, BOARD, RF	

C1154
C1157
C1160
C1164

AX553

CHG-3		A2946	
Q'TY./UNIT	MODEL USED ON	ASSY. NO.	
SCALE	CODE		
DONOT SCALE	A		
THE CONTENTS OF THIS DRAWING ARE THE EXCLUSIVE PROPERTY OF THE TECHNICAL MATERIEL CORP. ITS UNAUTHORIZED USE OR REPRODUCTION IN WHOLE OR IN PART IS STRICTLY FORBIDDEN.			

NOTES

J-ANGER LIST OF MATERIAL			
MATERIAL		THE TECHNICAL MATERIEL CORP. MAMARONECK, NEW YORK	
FINISH		TITLE TERMINAL BOARD RF. ASSY. BAND # 6	
UNLESS OTHERWISE SPECIFIED DIMENSIONS ARE IN INCHES AND INCLUDE CHEMICALLY APPLIED OR PLATED FINISHES		DRAWN G.D.L.	DATE 2-23-65
DECIMALS .X ± .05 .XX ± .01 .XXX ± .005		CHECKED JCS	DATE 3/24/65
FRACTIONS ± 1/64 ± 3/32 ± 1/16		ELECT. DES. Janger	DATE 3/22/65
ANGLES ± 0° 30'		MECH. DES.	DATE
		SHEET	
		REV. LTR.	