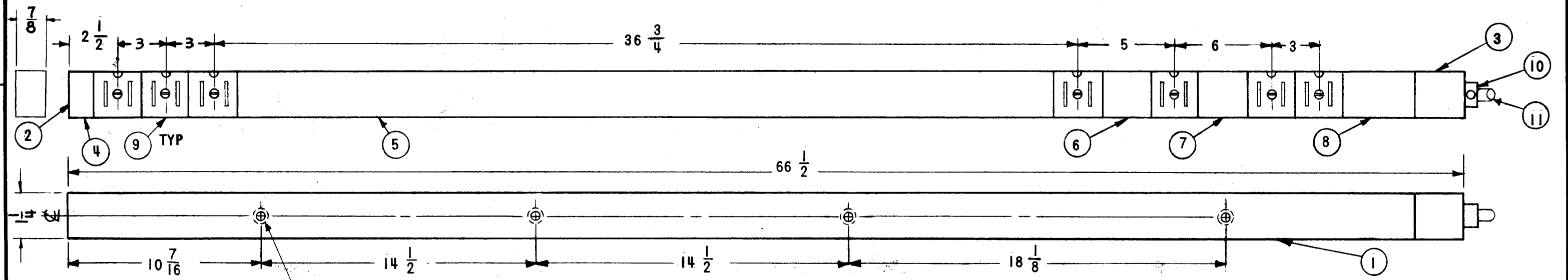
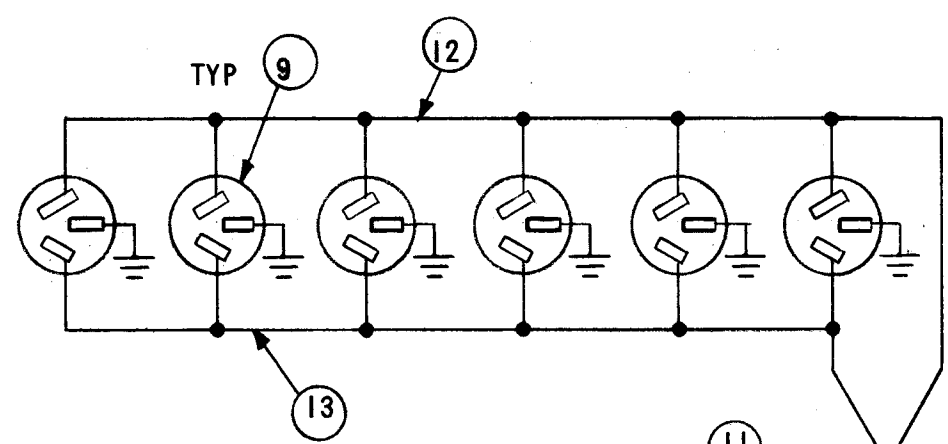


REVISIONS							
ZONE	LTR	DESCRIPTION	DATE	E.M.N.NO	DRAFT	CHKD	APPD
	X <sub>1</sub>	COMPLETELY REVISED REDRAWN	6-2-67				
	Ø	ORIG RELEASE FOR PROD	6-16-67		RG		

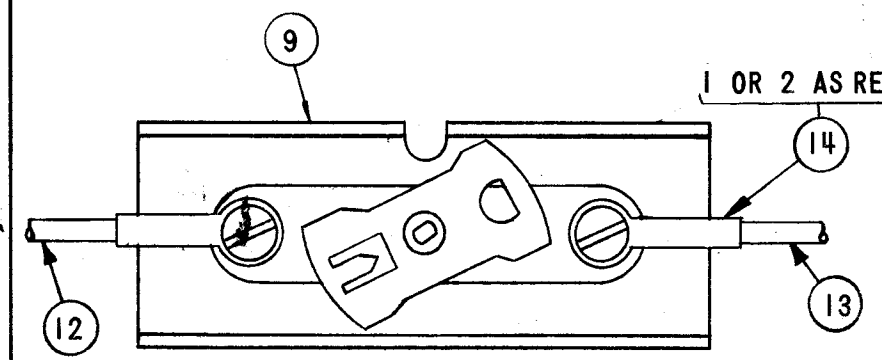
TOP VIEW



BOTTOM VIEW



DIAGRAM, SCHEMATIC



CONNECTOR DETAIL

REQ'D	ITEM	PART NUMBER	DESCRIPTION	SYM.
X	15	BS100	SOLDER, TIN ALLOY	
24	14	TE159-34168	TERM, LUG INS	
	13	MWC12(19)U9	WIRE, ELECTRICAL INS	
	12	MWC12(19)U0	WIRE, ELECTRICAL INS	
1	11	CA588-5	CABLE, ASSEMBLY, POWER AC	
1	10	CU110	BOX CONN, ELEC.	
7	9	JJ294	CONN, RECP, FML, AC	
1	8	P0163-5.000	COVER, CND	
1	7	P0163-3.000		
1	6	P0163-2.000		
1	5	P0163-33.750		
1	4	P0163-1.000	COVER, CND	
1	3	P0162	CONDUIT OUTLET	
1	2	P0161	END, FITTING, BLANK	
1	1	MS4190	AC STRIP	

F. BUDETTI LIST OF MATERIAL

NOTE: THIS DRAWING REPLACES A4075

1	RAK-20B	A4083
QTY / UNIT	MODEL USED ON	ASS'Y NO.
APPLICATION		
S401-451	CODE A	

**NOTICE TO PERSONS RECEIVING THIS DRAWING**  
 THE TECHNICAL MATERIEL CORPORATION claims proprietary right in the material disclosed hereon. This drawing is issued in confidence for engineering information only and may not be reproduced or used to manufacture anything shown hereon without permission from THE TECHNICAL MATERIEL CORPORATION to the user. This drawing is loaned for mutual assistance and is subject to recall at any time.

UNLESS OTHERWISE SPECIFIED DIMENSIONS ARE IN INCHES AND INCLUDE CHEMICALLY APPLIED OR PLATED FINISHES		FINAL DES. <i>[Signature]</i>	DATE <i>5-29-67</i>
DECIMALS .X ± .05 .XX ± .01 .XXX ± .005	FRACTIONS 1/64 ANGLES 0° 30'	ELECT. DES. <i>[Signature]</i>	DATE <i>5-29-67</i>
MATERIAL		CHECKED <i>[Signature]</i>	DATE <i>5-29-67</i>
FINISH S115 GREY ENAMEL		DRAWN <i>LAK</i>	DATE <i>7-26-67</i>

THE TECHNICAL MATERIEL CORP. MAMARONECK, NEW YORK			
AC POWER STRIP ASSEMBLY			
SIZE B	CODE IDENT. NO. 82679	DWG NO. AX542	ISSUE Ø
SCALE		SHEET OF	