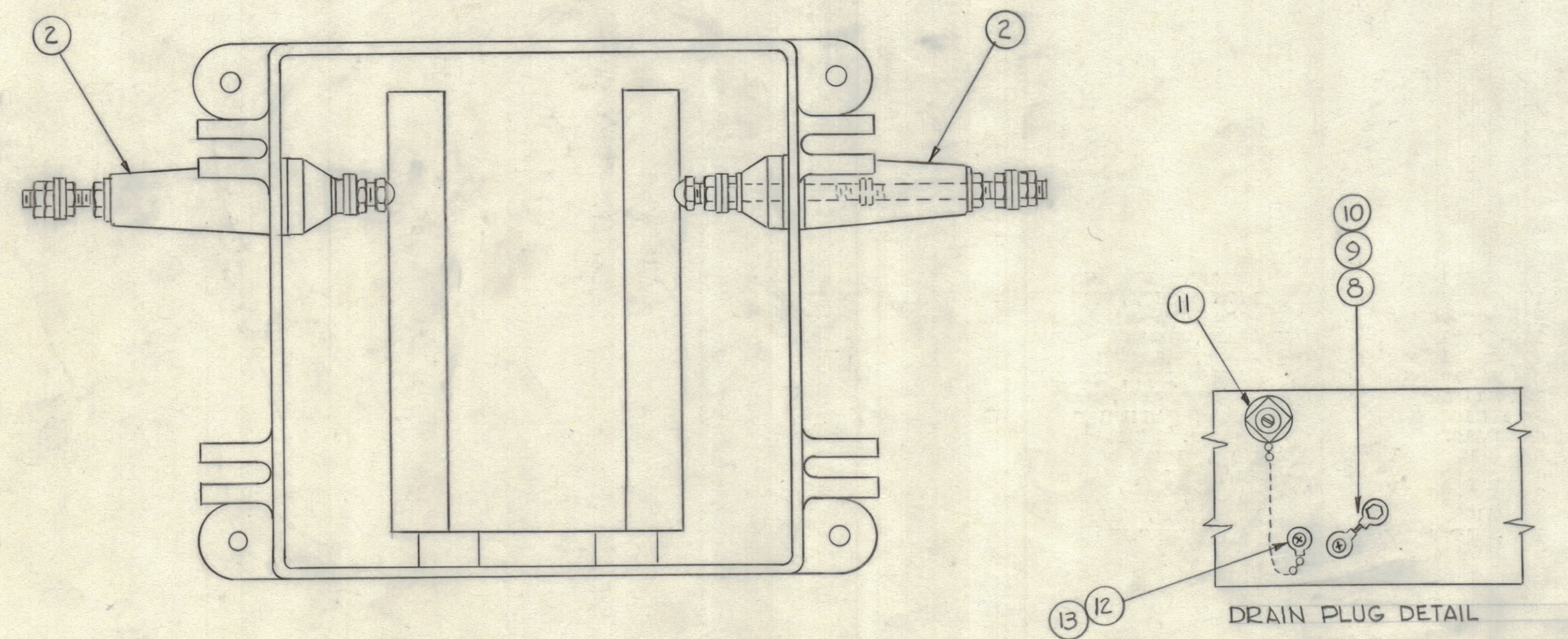
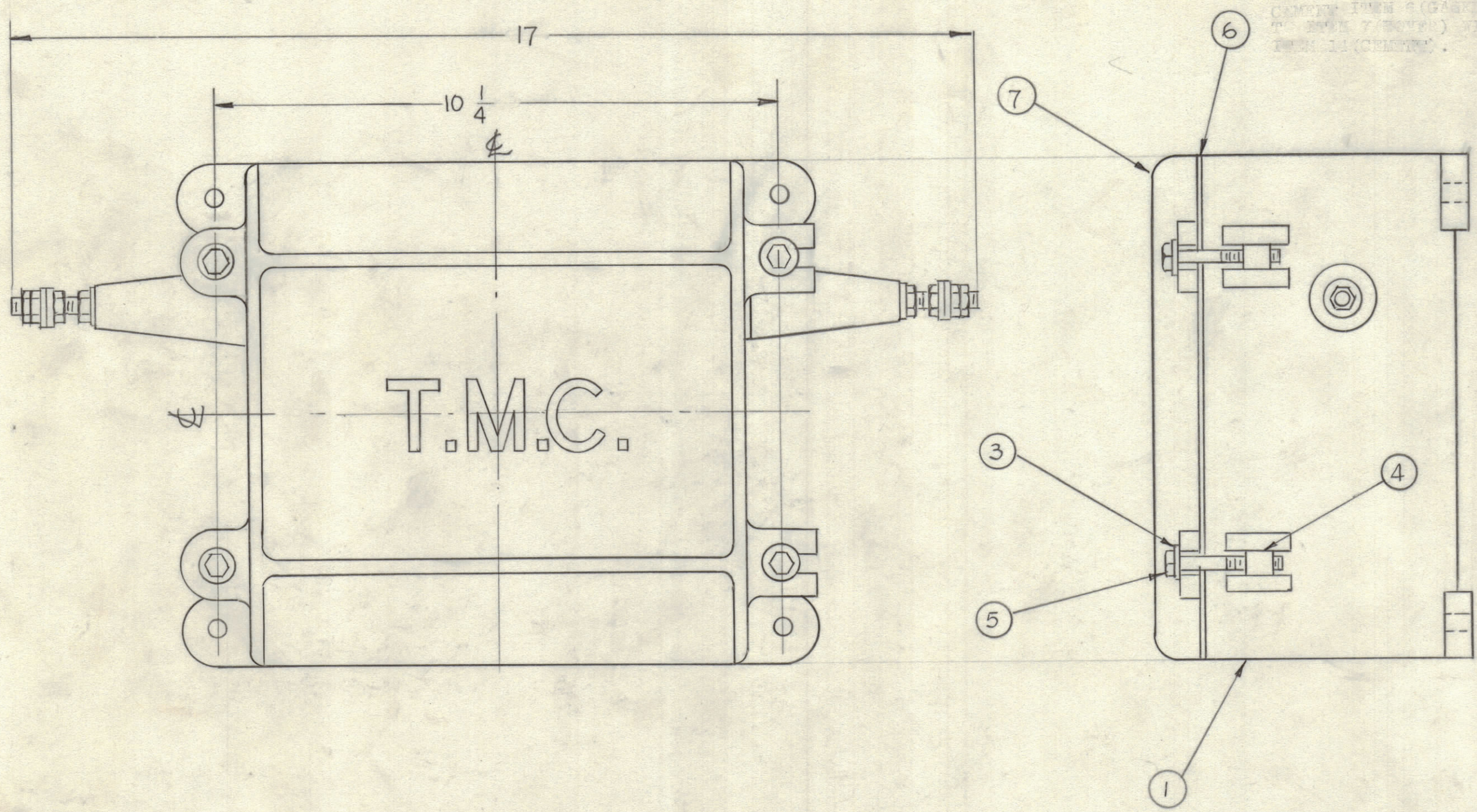


NOTE:
CEMENT ITEM 6 (GASKET) TO ITEM 7 (COVER)
WITH ITEM 14 (CEMENT).

REVISIONS							
ZONE	SYM	DESCRIPTION	DATE	E.M.N. NO.	DRAFT	CHKD	APPD
	X	EXPER. RELEASE	12-31-64		G.D.L.		
	Ø	ORIGINAL RELEASE FOR PRODUCTION	1-6-65	Ø	J.L.		



REQ'D.	ITEM	PART NUMBER	DESCRIPTION	SYMBOL
X	14	GL101-2	CEMENT, PLIOBOND	
1	13	LWE06MSS	WASHER, LOCK, EXTERNAL	
1	12	SCBP0632SS3	SCREW, MACHINE	
1	11	A1291	DRAIN, PLUG ASSEMBLY	
1	10	SCBP1032SS4	SCREW, MACHINE	
1	9	LWE10MSS	WASHER, LOCK, EXTERNAL	
1	8	A1164	GROUND STRAP, CASE	
1	7	PM105	COVER, MACHINING	
1	6	GA103	GASKET, COVER	
4	5	SCHH2520SS28	BOLT, HEX	
4	4	PM100	NUT, ROUND BARREL	
4	3	FW25HSS	WASHER, FLAT	
2	2	A102	INSULATOR, ASSEMBLY	
1	1	PM1158	CASE MACHINING	

LIST OF MATERIAL				
MATERIAL	THE TECHNICAL MATERIEL CORP. MAMARONECK, NEW YORK			
FINISH	TITLE CASE & COVER ASSY			
UNLESS OTHERWISE SPECIFIED DIMENSIONS ARE IN INCHES AND INCLUDE CHEMICALLY APPLIED OR PLATED FINISHES		DRAWN	DATE	FINAL APPROVAL
		G.D.L.	12-31-64	
		CHECKED	DATE	
		@	1-7-65	
		ELECT. DES.	DATE	
		MECH. DES.	DATE	
			1-5-65	
			SHEET	
				REV. LTR.
				Ø

Q'TY./UNIT	MODEL USED ON	ASS'Y. NO.
1	RAC 45	A 3080-13
SCALE DO NOT SCALE		
THE CONTENTS OF THIS DRAWING ARE THE EXCLUSIVE PROPERTY OF THE TECHNICAL MATERIEL CORP. ITS UNAUTHORIZED USE OR REPRODUCTION IN WHOLE OR IN PART IS STRICTLY FORBIDDEN.		

NOTES

AX 539 Ø