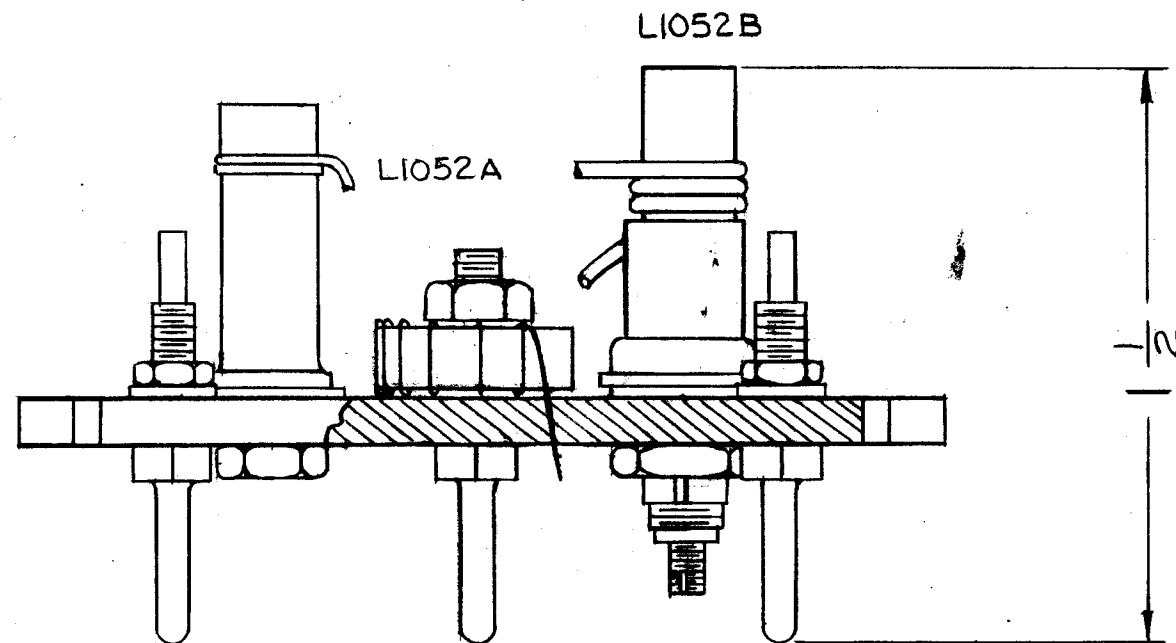
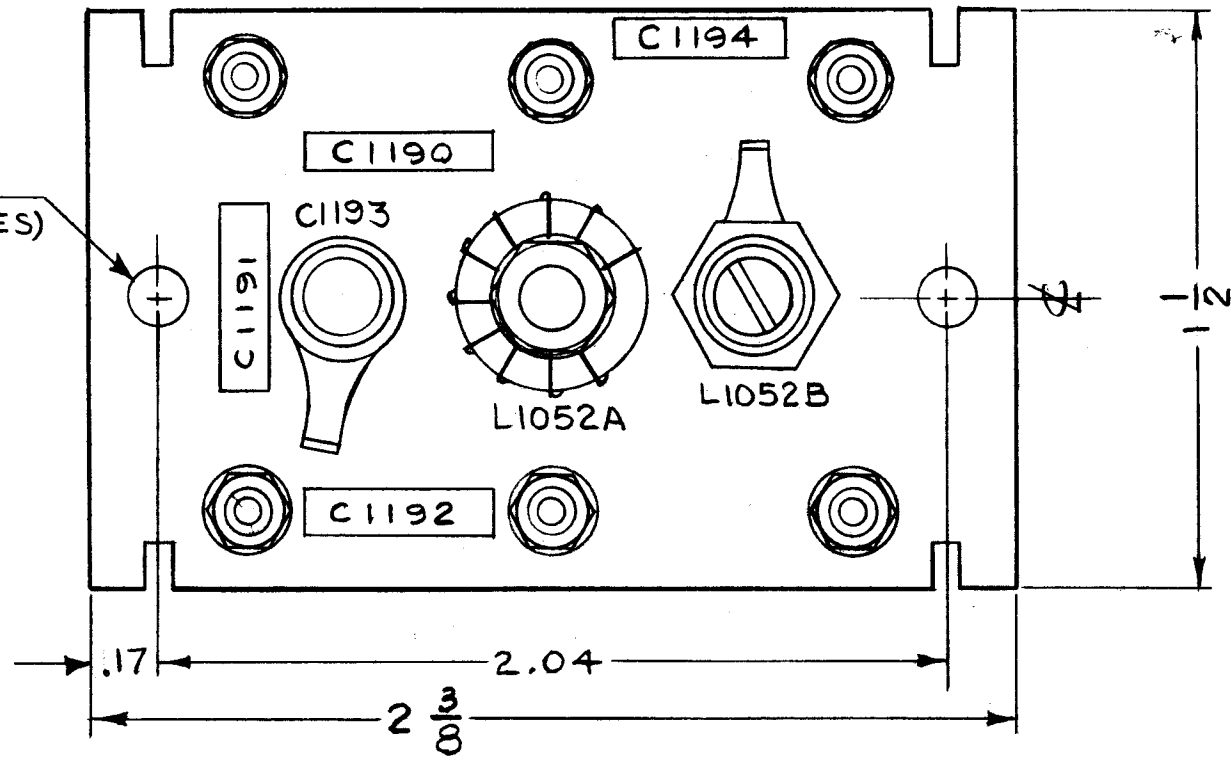


5 DIA.  
32 (2 PLACES)



AX 489 Ø

REVISIONS

SYM	DESCRIPTION	DATE	E.M.N. NO.	DRAFT	CHKD	APPD
X	EXPERIMENTAL RELEASE	3-26-64		<i>Deh</i>		
Ø	ORIGINAL RELEASE FOR PRODUCTION	8-13-64		<i>Deh</i>		

NOTICE TO PERSONS RECEIVING THIS DRAWING

THE TECHNICAL MATERIEL CORPORATION claims proprietary right in the material disclosed hereon. This drawing is issued in confidence for engineering information only and may not be reproduced or used to manufacture anything shown hereon without permission from THE TECHNICAL MATERIEL CORPORATION to the user. This drawing is loaned for mutual assistance and is subject to recall at any time.

Property of:  
THE TECHNICAL MATERIEL CORPORATION  
MAMARONECK, NEW YORK

REQ'D.	ITEM	PART NUMBER	DESCRIPTION	SYMBOL
<b>ANGER LIST OF MATERIAL</b>				
MATERIAL			<b>THE TECHNICAL MATERIEL CORP. MAMARONECK, NEW YORK</b>	
FINISH			TITLE <b>TERMINAL BOARD, OSC., ASS'Y BAND # 8</b>	
UNLESS OTHERWISE SPECIFIED DIMENSIONS ARE IN INCHES AND INCLUDE CHEMICALLY APPLIED OR PLATED FINISHES			DRAWN <i>G.D.L.</i> DATE 2-25-64	FINAL APPROVAL <i>RJC</i> DATE
DECIMALS .X ± .05 .XX ± .01 .XXX ± .005			CHECKED <i>Deh</i> DATE 8-14-64	DATE 3/26/64
FRACTIONS ± 1/64 ANGLES ± 0° 30'			ELEOT. DES. <i>Anger</i> DATE	DATE
TOLERANCES			MECH. DES.	DATE
SHEET				REV. LTR.

1	HFR-2	A 3506
1	HFR-1A	A 3506
Q'TY./UNIT	MODEL USED ON	ASS'Y. NO.
SCALE 2:1	CODE	
THE CONTENTS OF THIS DRAWING ARE THE EXCLUSIVE PROPERTY OF THE TECHNICAL MATERIEL CORP. ITS UNAUTHORIZED USE OR REPRODUCTION IN WHOLE OR IN PART IS STRICTLY FORBIDDEN.		

NOTES