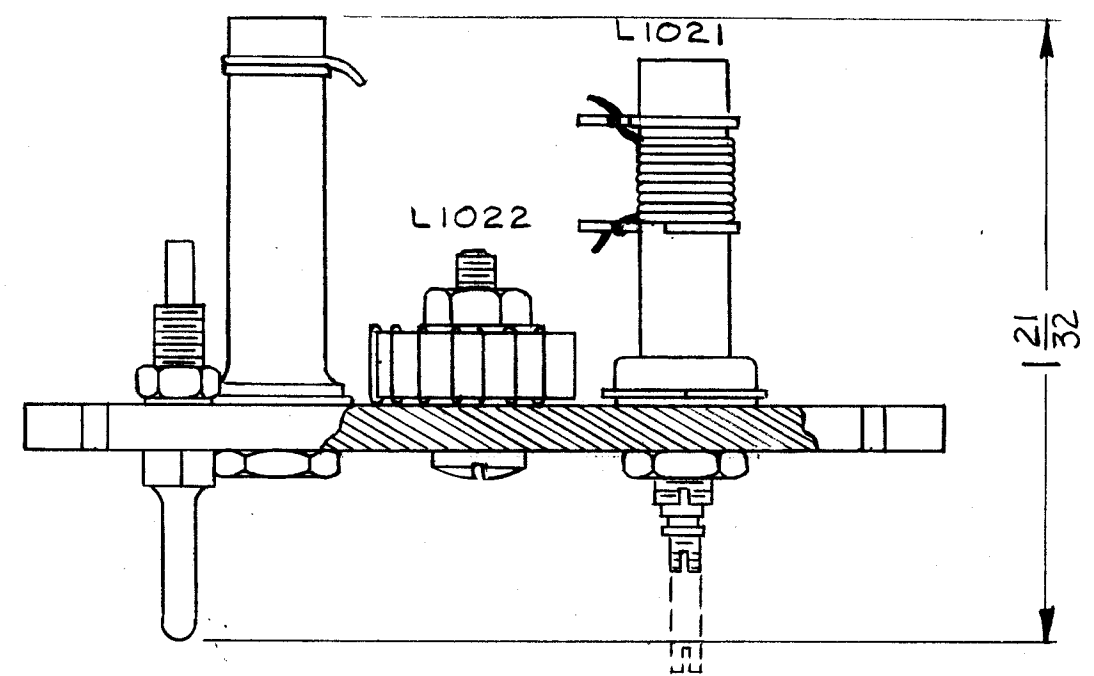
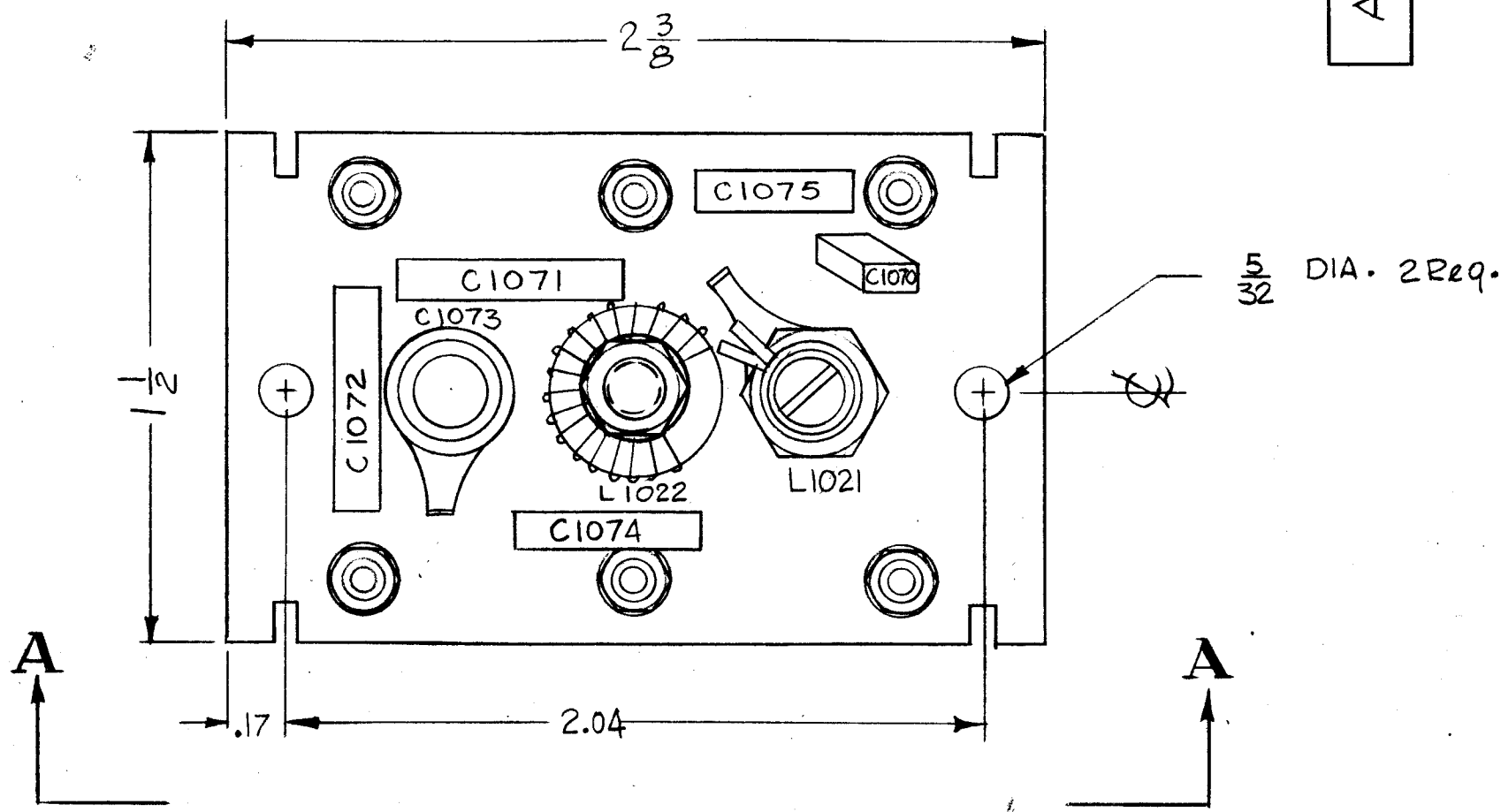


AX 483

REVISIONS

SYM	DESCRIPTION	DATE	E.M.N. NO.	DRAFT	CHKD	APPD
X	EXPERIMENTAL RELEASE	3/25/64		<i>Dehn</i>		
Ø	ORIGINAL RELEASE FOR PRODUCTION	8-13-64		<i>Dehn</i>		



—VIEW A-A—

NOT TO BE LOANED TO PERSONS RECEIVING THIS DRAWING

THE TECHNICAL MATERIEL CORPORATION claims proprietary right in the material disclosed hereon. This drawing is issued in confidence for engineering information only and may not be reproduced or used to manufacture anything shown hereon without permission from THE TECHNICAL MATERIEL CORPORATION to the user. This drawing is loaned for mutual assistance and is subject to recall at any time.

Property of:  
THE TECHNICAL MATERIEL CORPORATION  
MAMARONECK, NEW YORK

1	HFR-2	A 3494
1	HFR-1A	A 3494
Q'TY./UNIT	MODEL USED ON	ASS'Y. NO.
SCALE 2:1	CODE	

THE CONTENTS OF THIS DRAWING ARE THE EXCLUSIVE PROPERTY OF THE TECHNICAL MATERIEL CORP. ITS UNAUTHORIZED USE OR REPRODUCTION IN WHOLE OR IN PART IS STRICTLY FORBIDDEN.

REQ'D.	ITEM	PART NUMBER	DESCRIPTION	SYMBOL
<b>ANGER LIST OF MATERIAL</b>				
MATERIAL			<b>THE TECHNICAL MATERIEL CORP. MAMARONECK, NEW YORK</b>	
FINISH			<b>TERMINAL BOARD, OSC., ASS'Y BAND # 2</b>	
UNLESS OTHERWISE SPECIFIED DIMENSIONS ARE IN INCHES AND INCLUDE CHEMICALLY APPLIED OR PLATED FINISHES			DRAWN G.D.L.	DATE 2-24-64
			CHECKED <i>@</i>	DATE
			ELECT. DES. <i>Anger</i>	DATE 3/25/64
			MECH. DES.	DATE
DECIMALS .X ± .05 .XX ± .01 .XXX ± .005			TOLERANCES FRACTIONS ± 1/64 ANGLES ± 0° 30'	
FINAL APPROVAL <i>Dehn</i>				DATE
AX 483				Ø
SHEET				REV. LTR.

NOTES