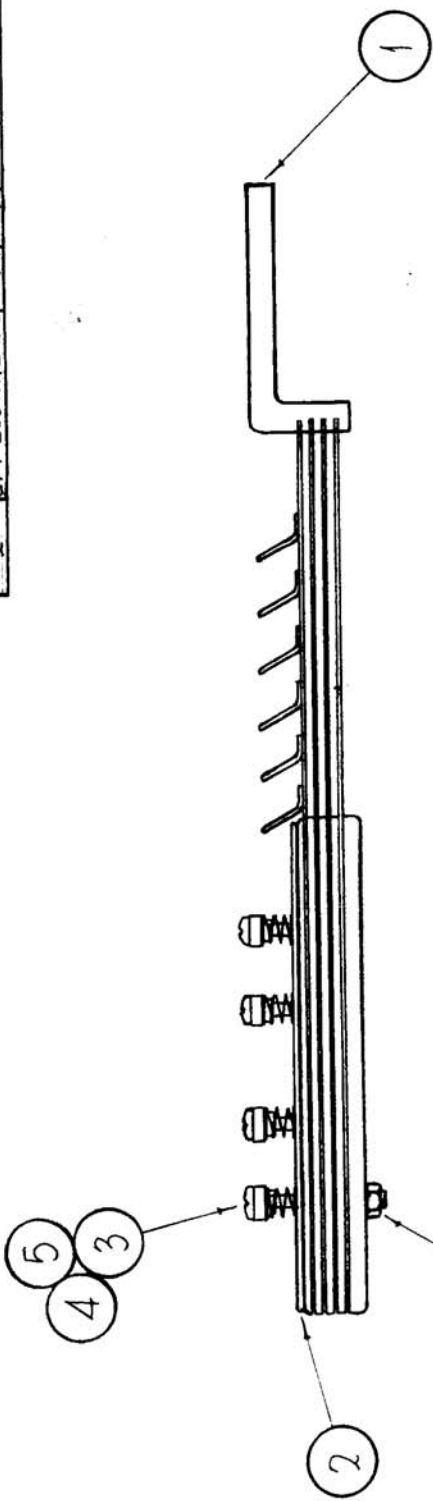


AX 449 A

REQ. UNIT	USED ON
2	ASSY. N. AX-446
	DATE 10-23-63
	MODEL GPT-2DOR AS-123



NTH0832BNG, 8DEQ
(FOR SPARE PARTS USE ONLY)

REQ. ITEM	PART NO.	DESCRIPTION	SYMBOL
8	5	SCBP0832BP20	SCREW, MACHINE
8	4	TE 184-2S	SPACER, RIVET TYPE
8	3	SP 116-S	SPRING, PRESSURE
1	2	PM 849	PLATE, RETAINING, ELECTRICAL
1	1	PM 860	CONTACT, WIPER
		F. BUDETTI	
		THE TECHNICAL MATERIEL CORP. MAMARONECK, NEW YORK	
		WIPER ASSY	
		John C. Biale	DRAWN
		AA BB	CHECKED
		DB	MECH. DES. APP.
		AC	ELEC. DES. APP.
			FINAL APPROVAL
			AX 449 A

SYM	DESCRIPTION	DATE	CH. NO.	DRAFTS	CHECKER	ENG. APP.
A	IT-4 WAS TE 184-2	11/2/66	15492	RV	RV	AA
O	ORIGINAL RELEASE	5.16.64		ASTB		
UNLESS OTHERWISE SPECIFIED DIMENSIONS ARE IN INCHES AND INCLUDE CHEMICALLY APPLIED OR PLATED FINISHES		SCALE 1/2" = 1"				
DECIMALS .X ± .05 .XX ± .01 .XXX ± .005		TOLERANCES		FRACTIONS ± 1/64 ANGLES ± 0° 30'		CODE
FINISH & SPEC. N.						