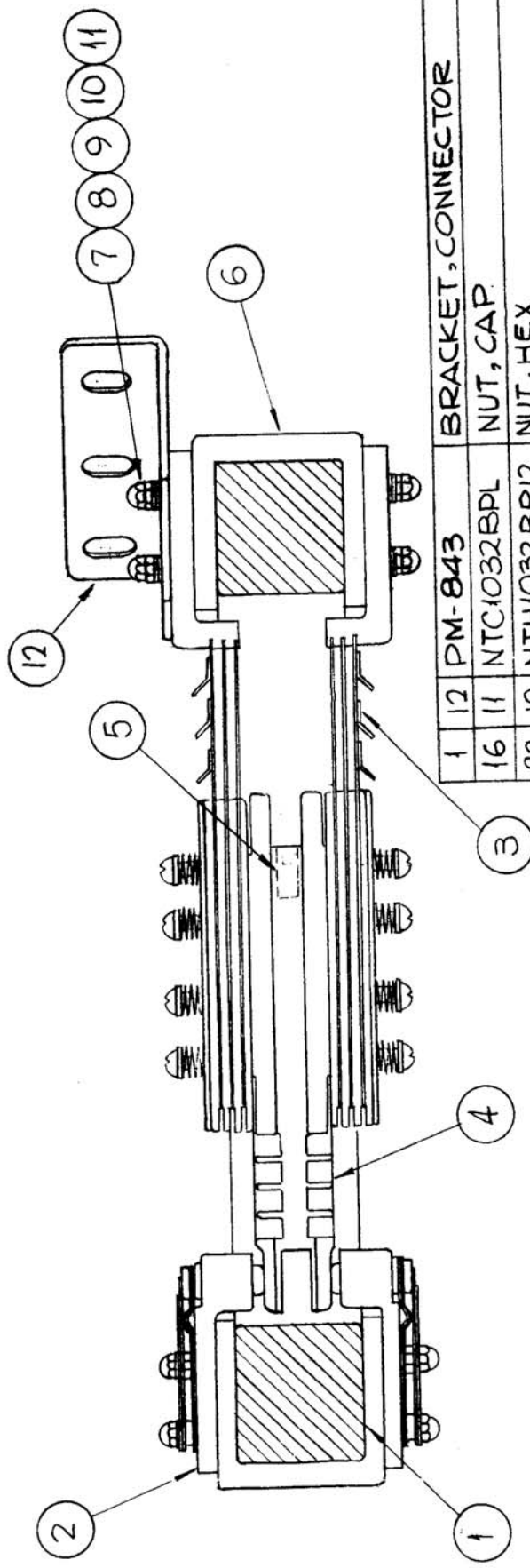


AX-4410

| | | |
|---------------|-----------|---------|
| REQ. PER UNIT | MODEL | USED ON |
| 1 | GPT-200K | AS-124 |
| | ASSY. NO. | DATE |
| | AS-124 | 10-2-63 |



| REQ. ITEM | PART NO. | DESCRIPTION | SYMBOL |
|--|---------------|---------------------|--------|
| 1 | PM-843 | BRACKET, CONNECTOR | |
| 16 | NTC1032BPL | NUT, CAP. | |
| 22 | NTH1032BP12 | NUT, HEX | |
| 16 | FW10MBP | WASHER, FLAT | |
| 16 | LWS10MRP | LOCKWASHER, SPLIT | |
| 8 | SM1032BS3.500 | ROD, THREADED | |
| 2 | PM-840 | BRACKET, WIPER MTG. | |
| 1 | SLHC1032SS5 | SETScrew | |
| 1 | RO-105/PM862 | ROTOR | |
| 2 | AX-443 | WIPER ASS'Y | |
| 5 | AX-442 | CONTACT ASS'Y | |
| 1 | WS-130 | WAFER | |
| | F. BUDETTI | DESCRIPTION | |
| THE TECHNICAL MATERIEL CORP. MAMARONECK, NEW YORK | | | |
| WAFER ASS'Y | | | |
| MATERIAL | | | |
| SRG | | | |
| DRAWN | | | |
| CHECKED | | | |
| FINAL APPROVAL | | | |
| AX-441 | | | |
| ELEC. DES. APP. | | | |
| MECH. DES. APP. | | | |
| FINISH & SPEC. NO. | | | |

| | | | | | | |
|---------------------------------------|-------------------------|-----------|---------|---------|---------|-----------|
| SYM | DESCRIPTION | DATE | CH. NO. | DRAFTS | CHECKER | ENG. APP. |
| 0 | ORIG. RELEASE FOR PROD. | 5-16-64 | | SRG | | |
| UNLESS OTHERWISE SPECIFIED | | SCALE | | CHECKER | | ENG. APP. |
| DIMENSIONS ARE IN INCHES AND INCLUDE | | 1/2" = 1" | | SRG | | |
| CHEMICALLY APPLIED OR PLATED FINISHES | | | | | | |
| TOLERANCES | | CODE | | | | |
| FRACTIONS | | | | | | |
| DECIMALS | | | | | | |
| .X ± .05 | | | | | | |
| .XX ± .01 | | | | | | |
| .XXX ± .005 | | | | | | |
| ANGLES | | | | | | |
| ± 0° 30' | | | | | | |