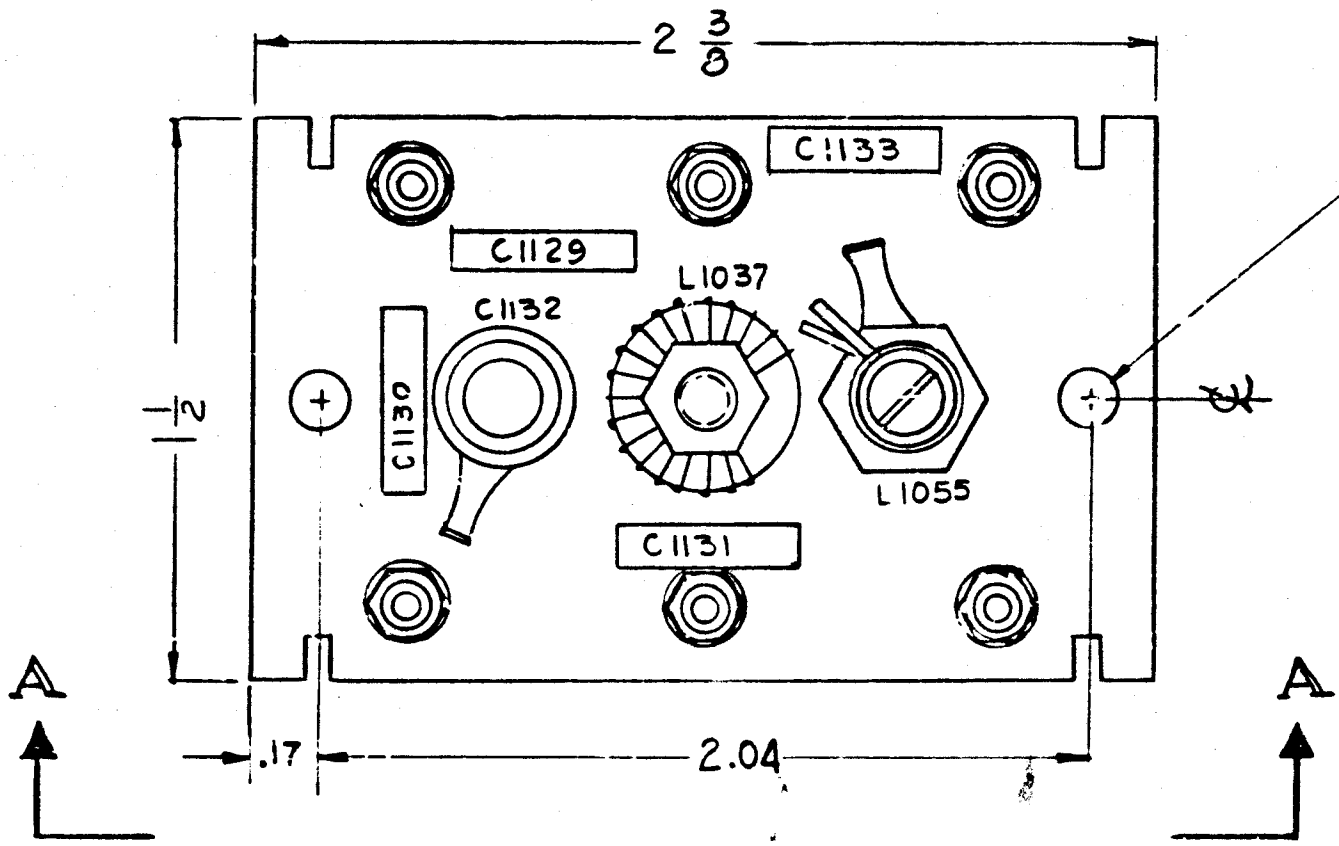


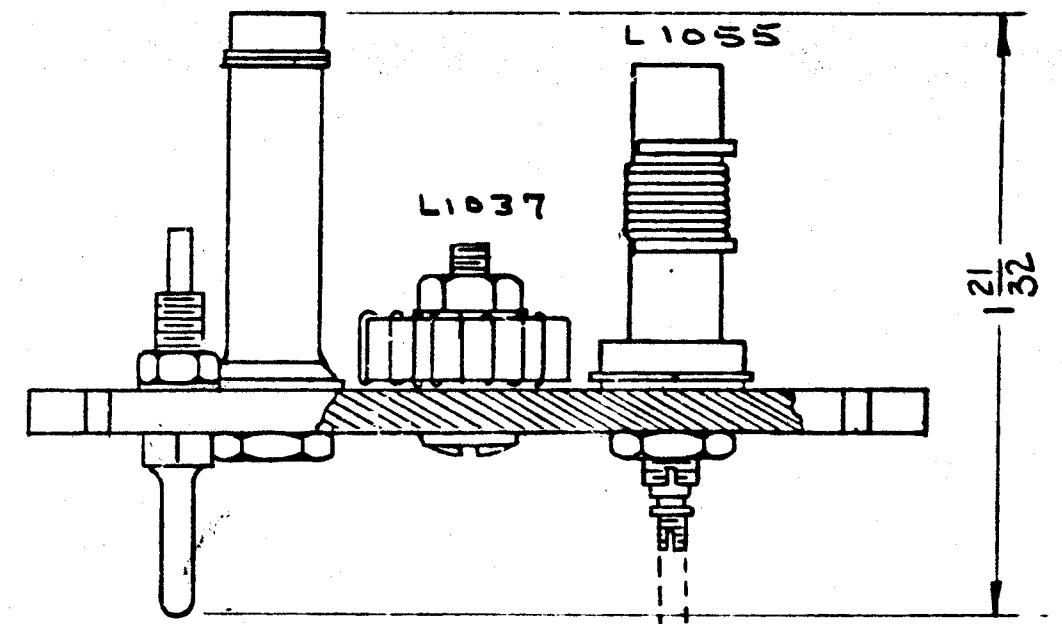
AX-373

REVISIONS

SYM	DESCRIPTION	DATE	E.M.N. NO.	MAFD	CHKD	APPD
-----	-------------	------	------------	------	------	------



5/32 DIA. 2 Req.



— VIEW A-A —

NOTICE TO PERSONS RECEIVING THIS DRAWING

THE TECHNICAL MATERIEL CORPORATION claims proprietary right in the material disclosed hereon. This drawing is issued in confidence for engineering information only and may not be reproduced or used to manufacture anything shown hereon without permission from THE TECHNICAL MATERIEL CORPORATION to the user. This drawing is loaned for mutual assistance and is subject to recall at any time.

Property of:
THE TECHNICAL MATERIEL CORPORATION
MAMARONECK, NEW YORK

NOTES

1	HF-1/T	
QTY./UNIT	MODIFIED ON	AERY. NO.
SCALE	CODE	4A - 2367
DO NOT SCALE		
THE CONTENTS OF THIS DRAWING ARE THE EXCLUSIVE PROPERTY OF THE TECHNICAL MATERIEL CORP. ITS UNAUTHORIZED USE OR REPRODUCTION IN WHOLE OR IN PART IS STRICTLY FORBIDDEN.		

REQ'D.	ITEM	PART NUMBER	DESCRIPTION	SYMBOL
LIST OF MATERIAL				
MATERIAL		THE TECHNICAL MATERIEL CORP. MAMARONECK, NEW YORK		
FINISH		TITLE OSC. BOARD ASSY, BAND #5		
UNLESS OTHERWISE SPECIFIED DIMENSIONS ARE IN INCHES AND INCLUDE CHEMICALLY APPLIED OR PLATED FINISHES		DRAWN G D.L.	DATE 12-1-62	FINAL APPROV. BP
TOLERANCES		CHECKED J.V.	DATE 12/4/62	AX-373
SPECIALS X ± .01 XX ± .01 XXX ± .008		ELECT. DES. J. ANGER	DATE 12/4/62	
		MECH. DES. K.H.	DATE 12/9/62	SHEET
				REV. LTR.