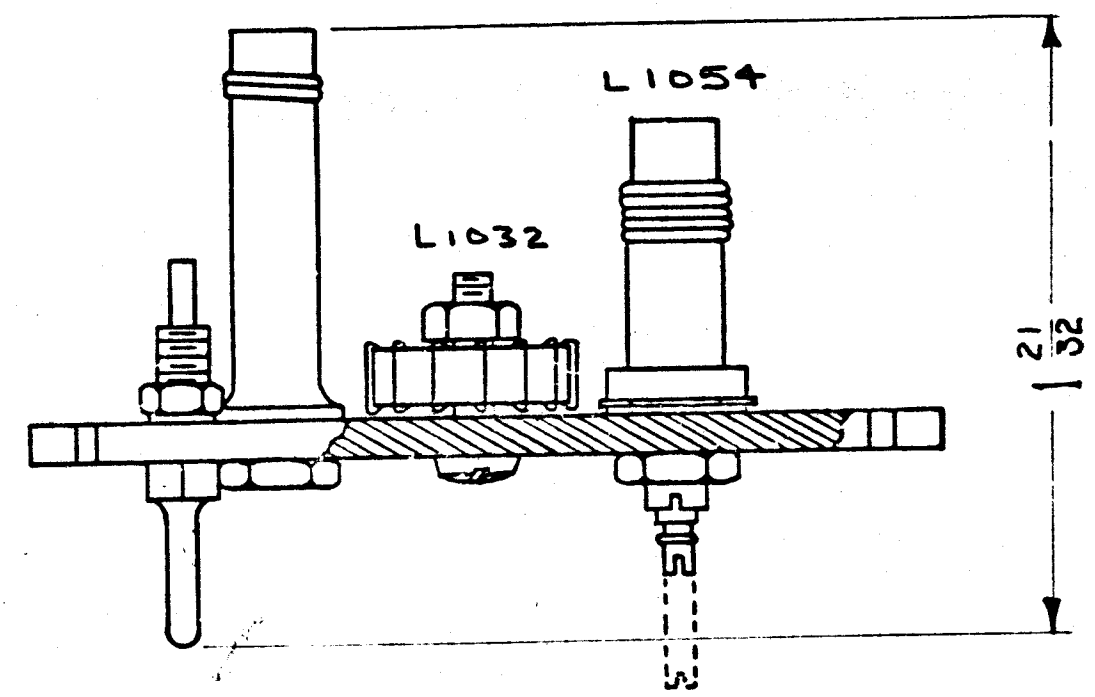
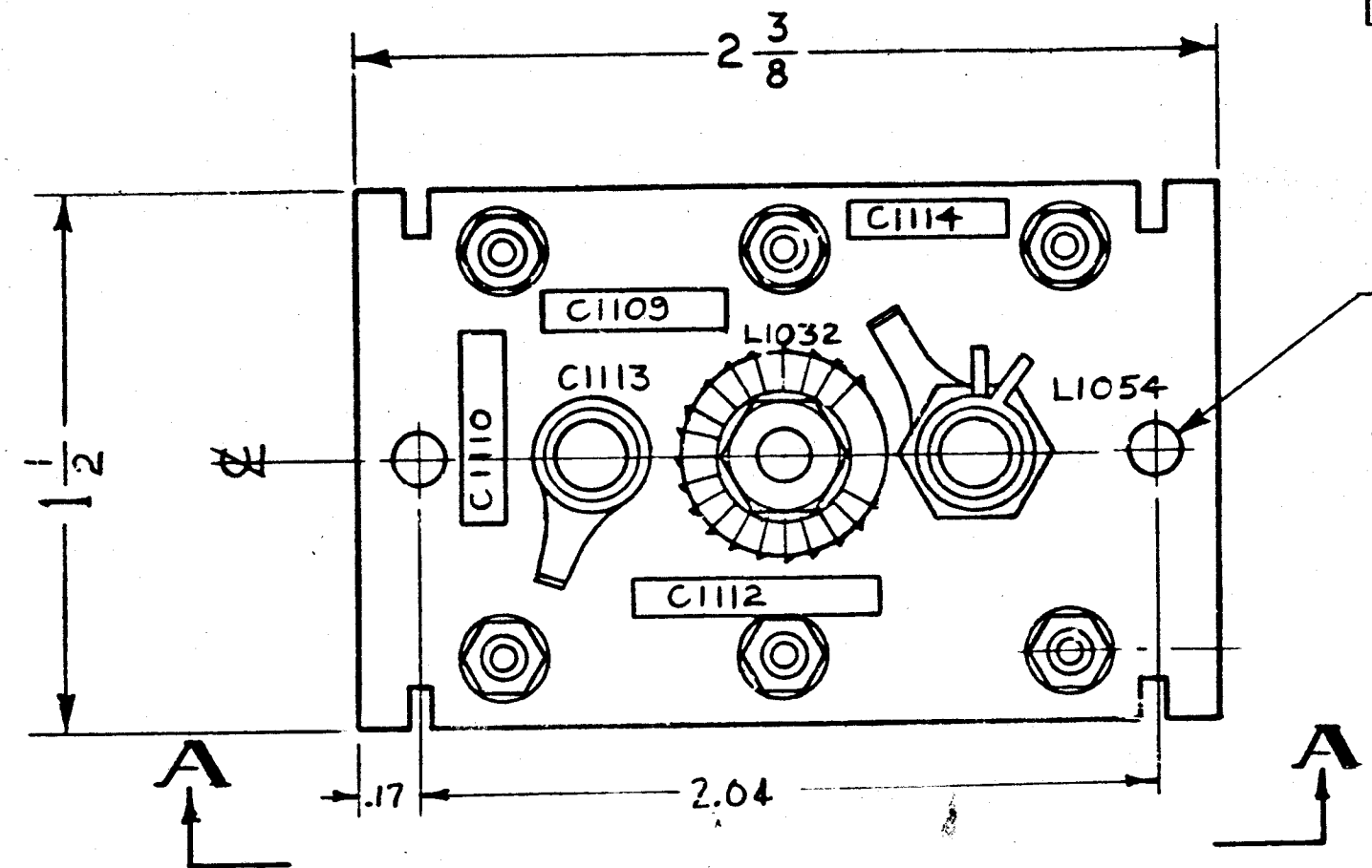


AX-372

REVISIONS

SYM	DESCRIPTION	DATE	E.M.N. NO.	DR / JT	CHKD	APPD
-----	-------------	------	------------	---------	------	------



VIEW A-A

NOTICE TO PERSONS RECEIVING THIS DRAWING

THE TECHNICAL MATERIEL CORPORATION claims proprietary right in the material disclosed hereon. This drawing is issued in confidence for engineering information only and may not be reproduced or used to manufacture anything shown hereon without permission from THE TECHNICAL MATERIEL CORPORATION to the user. This drawing is loaned for mutual assistance and is subject to recall at any time.

Property of:
THE TECHNICAL MATERIEL CORPORATION
 MAMARONECK, NEW YORK

1	HFR-1/T	
CITY	MODEL OR DESIGN	REV. NO.
SCALE	CODE	4A-2366

THE CONTENTS OF THIS DRAWING ARE THE EXCLUSIVE PROPERTY OF THE TECHNICAL MATERIEL CORP. ITS UNAUTHORIZED USE OR REPRODUCTION IN WHOLE OR IN PART IS STRICTLY FORBIDDEN.

REQ'D.	ITEM	PART NUMBER	DESCRIPTION	SYMBOL
LIST OF MATERIAL				
MATERIAL			THE TECHNICAL MATERIEL CORP. MAMARONECK, NEW YORK	
FINISH			OSC BOARD ASSY, BAND #4	
UNLESS OTHERWISE SPECIFIED DIMENSIONS ARE IN INCHES AND INCLUDE CHEMICALLY APPLIED OR PLATED FINISHES			DRAWN: <i>R. Peters</i> CHECKED: <i>J.P.</i> DATE: 12-1-62	FINAL APPROVAL: <i>BP</i> DATE:
TOLERANCES			ELEC. CO. <i>J. Angelo</i> MECH. DES. <i>AM</i> DATE: 12/12/62	AX-372 SHEET
FRACTIONS .I ± .05 .X ± .01 .XXX ± .005			± 1/64 ANGLES ± 9° 30'	REV. LTR.

NOTES