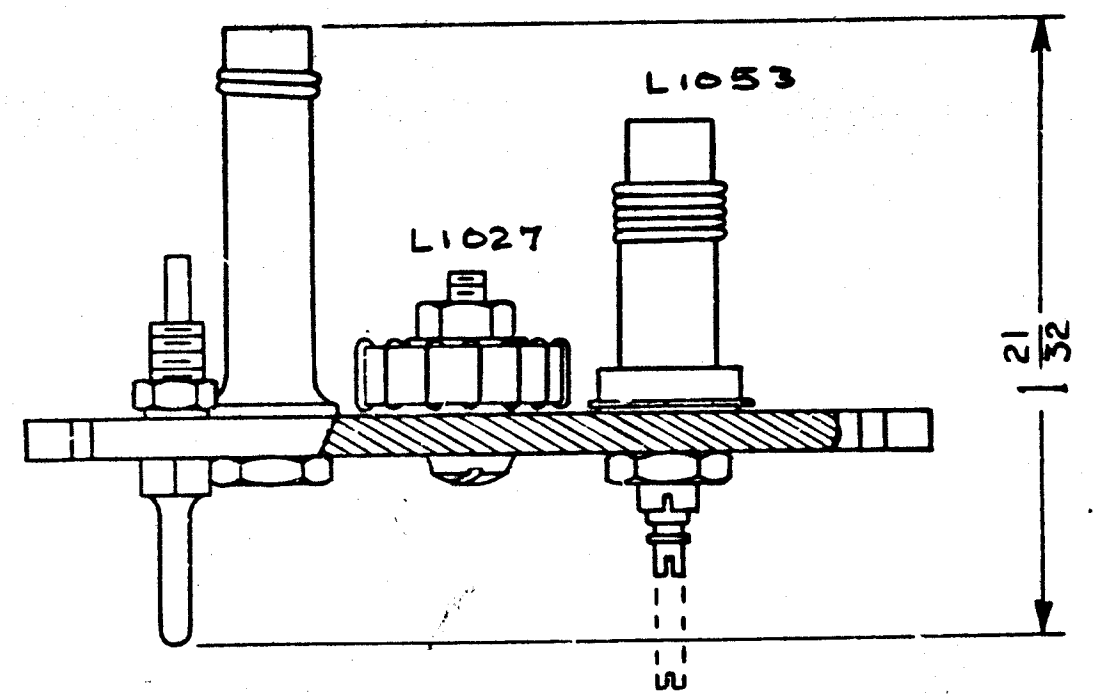
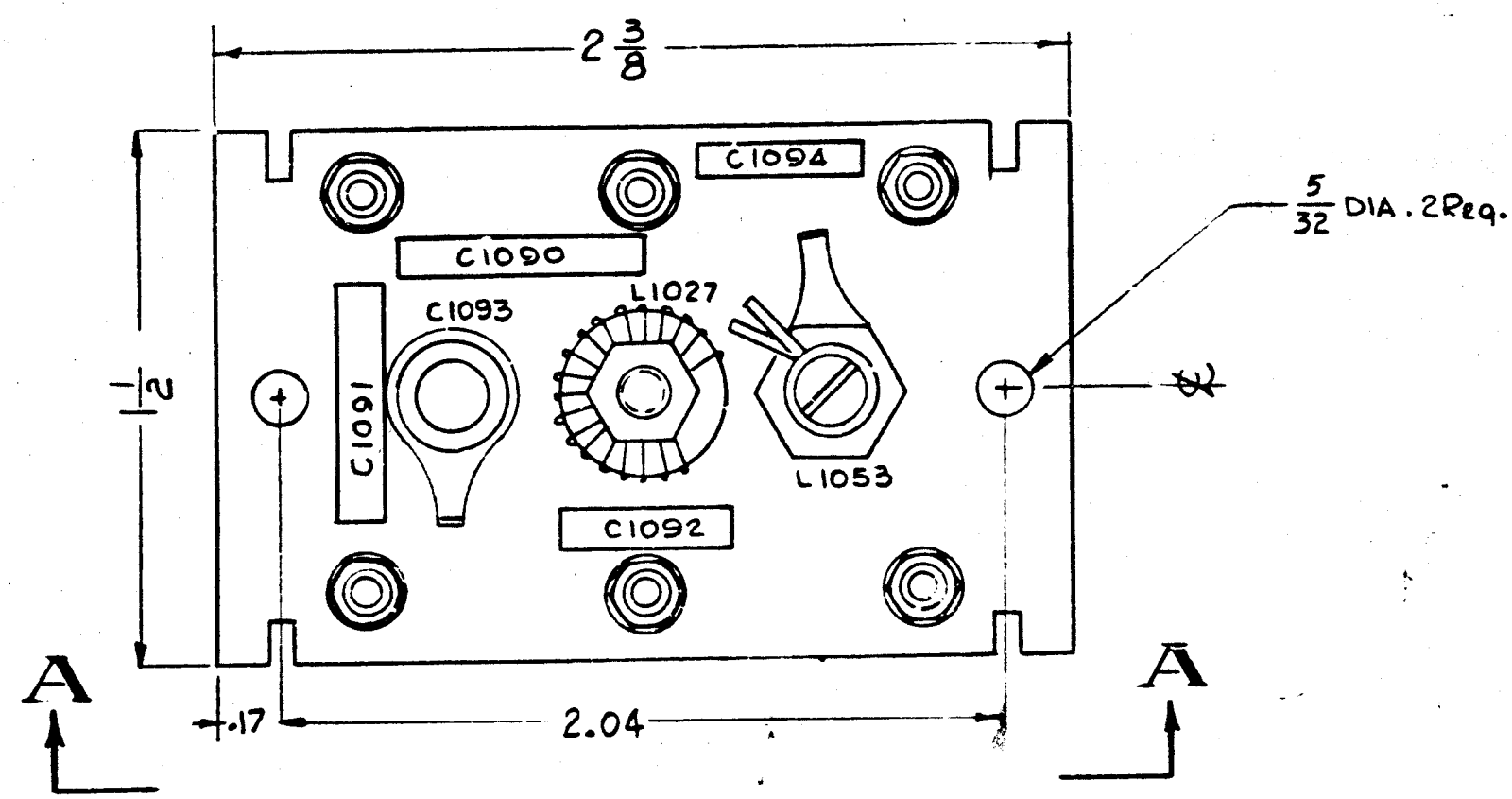


AX-371

REVISIONS

BY	DESCRIPTION	DATE	E.M.N. NO.	DRAFT	CHKD	APPD
----	-------------	------	------------	-------	------	------



VIEW A-A

NOTICE TO PERSONS RECEIVING THIS DRAWING

THE TECHNICAL MATERIEL CORPORATION claims proprietary right in the material disclosed hereon. This drawing is issued in confidence for engineering information only and may not be reproduced or used to manufacture anything shown hereon without permission from THE TECHNICAL MATERIEL CORPORATION to the user. This drawing is loaned for mutual assistance and is subject to recall at any time.

Property of:
THE TECHNICAL MATERIEL CORPORATION
MAMARONECK, NEW YORK

NOTES

QTY./UNIT	1	MODEL USE ONLY	HEP-1/T	ASSY. NO.	
SCALE	DO NOT SCALE	CODE	4A-2365		
THE CONTENTS OF THIS DRAWING ARE THE EXCLUSIVE PROPERTY OF THE TECHNICAL MATERIEL CORP. ITS UNAUTHORIZED USE OR REPRODUCTION IN WHOLE OR IN PART IS STRICTLY FORBIDDEN.					

REQ'D.	ITEM	PART NUMBER	DESCRIPTION	SYMBOL
LIST OF MATERIAL				
MATERIAL			THE TECHNICAL MATERIEL CORP. MAMARONECK, NEW YORK	
FINISH			TITLE OSC. BOARD ASS'Y, BAND*3	
UNLESS OTHERWISE SPECIFIED DIMENSIONS ARE IN INCHES AND INCLUDE CHEMICALLY APPLIED OR PLATED FINISHES		DRAWN G.D.L.	DATE 12-1-62	FINAL APPROVAL BP
DECIMAL I ± .08 II ± .01 III ± .002		CHECKED J. INGER	DATE 12/1/62	DATE
FRACTIONS ± 1/64 ANGLES ± 0° 30'		ELECT. DES. J. INGER	DATE 12/1/62	DATE
TOLERANCES		MECH. DES. J. INGER	DATE 12/1/62	DATE
				AX-371
				SHEET
				REV. LTR.